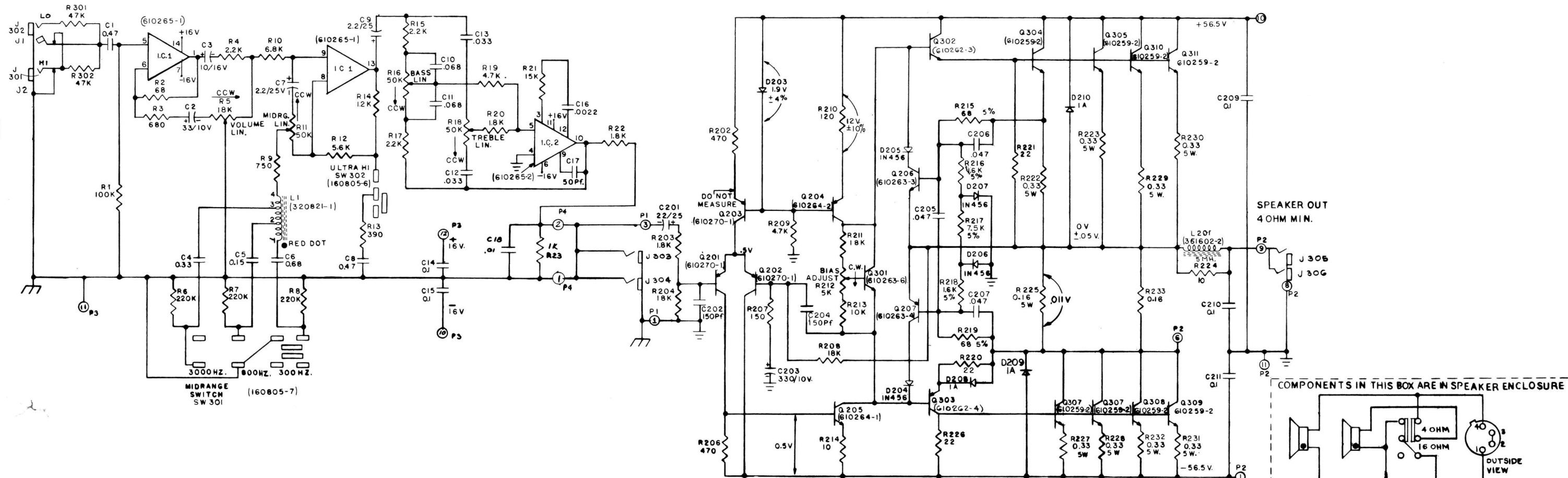


MODEL V6B SCHEMATIC DIAGRAM (REV. A)



NOTES: UNLESS OTHERWISE SPECIFIED

1. Capacitance values are in microfarads, 10%, 250V.
2. Resistors are 1/2W, 10%, composition.
3. DC voltages with no signal applied using a 20,000 ohm/volt voltmeter.
4. DC voltages are positive with respect to chassis ground.
5. With no load connected and no signal applied adjust R212 bias pot for 0.011 VDC between pins 6 and 9.
6. Actual circuit may vary slightly due to normal production changes.

**WARNING**

For maximum safety, reliability and performance, all parts must be replaced by those having identical specifications. Under no circumstances may the original design be modified or altered without permission from the Ampeg Company.

