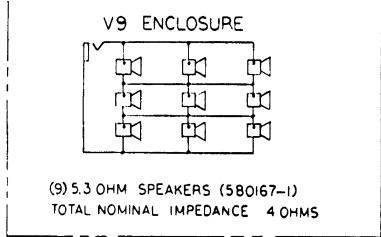
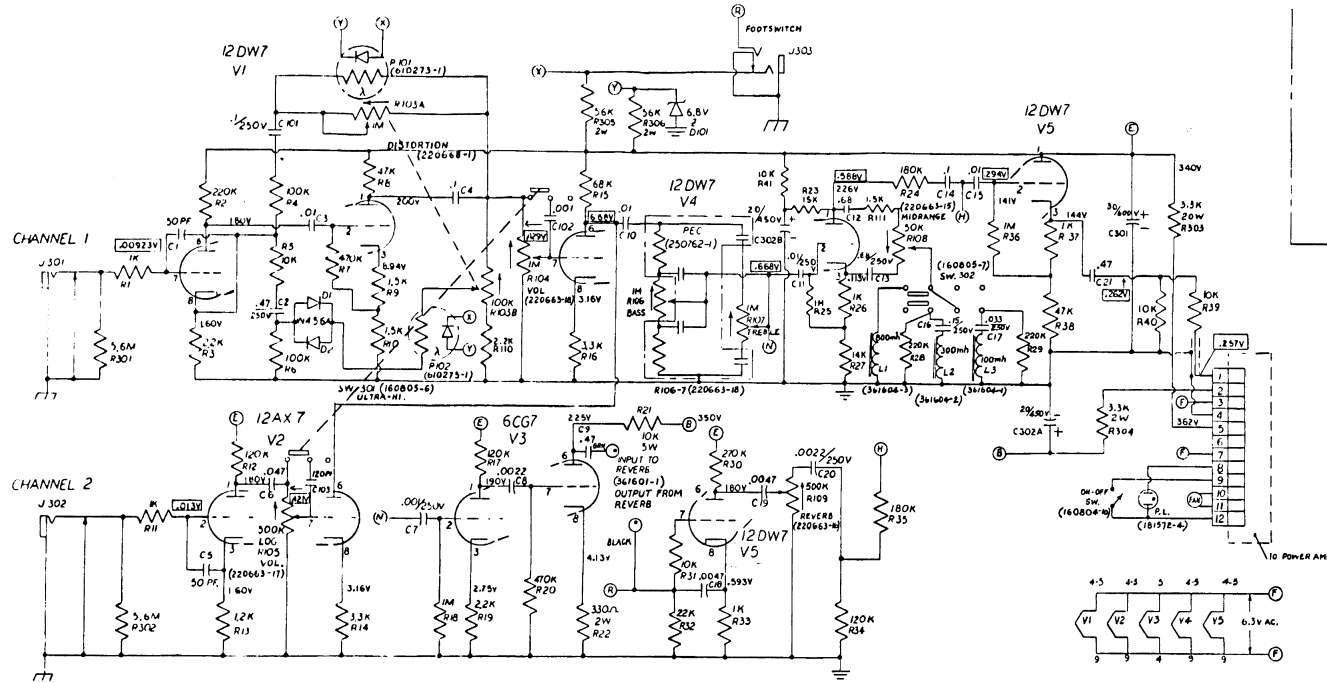
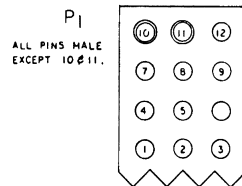


V9 PREAMP

Ampeg



- NOTES
1. ALL RESISTORS IN OHMS 1/2W 1% UNLESS OTHERWISE SPECIFIED.
 2. ALL CAPACITORS IN MFD. AND 400V UNLESS OTHERWISE SPECIFIED.
 3. D.C. VOLTAGE READINGS WITH NO SIGNAL APPLIED USING A 20,000 OHM PER VOLT MULTIMETER.
 4. NUMBERS IN PARENTHESIS REFER TO AMPER'S PART NO.
 - 5.
 6. D.C. VOLTAGE READINGS ARE POSITIVE WITH RESPECT TO CHASSIS GROUND UNLESS OTHERWISE SPECIFIED.
 7. CIRCUIT OF CHASSIS MAY VARY SLIGHTLY FROM THAT SHOWN HERE DUE TO MANUFACTURING CHANGES.
 8. ALL VOLTAGES IN BOXES ARE A.C. AND ARE TAKEN WITH BASS, TREBLE AND MIDRANGE AT MID POSITION. ALL FRONT PANEL KNOCKER SWITCHES TO THE LEFT.



09142

<p>REVISIONS</p> <p>1. REVISED BY: [Signature]</p> <p>DATE: 11/10/58</p> <p>BY: [Signature]</p> <p>DATE: 11/10/58</p> <p>BY: [Signature]</p> <p>DATE: 11/10/58</p>	ADDITIONAL SPECIFICATIONS	MATERIAL	FINISH	
	7" X 10 1/2"	591760-1	RED. SIZE	PART NO.
	<p>— TOLERANCES —</p> <p>DECIMALS 1/10 1/20 1/50 1/100</p> <p>FRACTIONS 1/8 1/4 3/8 1/2 5/8 3/4 7/8</p> <p>ANGLES 15° 30° 45° 60° 75° 90° 105° 120° 135° 150° 165° 180°</p> <p>SPACINGS 1/16 1/8 3/16 1/4 5/16 3/8 7/8 1 1 1/8 1 1/4 1 1/2 1 3/4 2 2 1/4 2 1/2 3 3 1/4 3 1/2 4 4 1/4 4 1/2 5 5 1/4 5 1/2 6 6 1/4 6 1/2 7 7 1/4 7 1/2 8 8 1/4 8 1/2 9 9 1/4 9 1/2 10 10 1/4 10 1/2 11 11 1/4 11 1/2 12 12 1/4 12 1/2</p>			<p>THE AMPEG COMPANY</p> <p>DIVISION OF THE MAGNAVOX COMPANY</p> <p>P.O. BOX 114, COLONIA, N.J. 07024</p>
	<p>SCHMATIC</p> <p>V9 PRE-AMP</p> <p>DATE: 11/10/58</p> <p>BY: [Signature]</p> <p>SCALE: 1:1</p>			<p>DATE: 11/10/58</p> <p>BY: [Signature]</p> <p>SCALE: 1:1</p>
<p>THIS MATERIAL IS THE PROPERTY OF AND PROPRIETARY TO THE MAGNAVOX COMPANY AND IS NOT TO BE DISCLOSED TO OTHERS OR USED FOR OTHER THAN AUTHORIZED MAGNAVOX PURPOSES WITHOUT THE WRITTEN PERMISSION OF THE MAGNAVOX COMPANY. THIS MATERIAL MUST BE RETURNED TO THE MAGNAVOX COMPANY WHEN THE HOLDER IS NO LONGER REQUIREABLE.</p> <p>DATE: 11/10/58</p> <p>BY: [Signature]</p> <p>SCALE: 1:1</p>				

TRAINBROCK CIRCUITS
59 FREDOTON ROAD
COLONIA, N. J. 07067
(201) 381-5126

D 591760