

CHANNEL A			CHANNEL B		
TEST POINT	VOLTAGE	WAVE FORM	TEST POINT	VOLTAGE	WAVE FORM
1	125mV P-P	Δ	1	4.6V P-P	Δ
2	480mV P-P	Δ	2	98V P-P 3VDC	Δ
3	4.2V P-P	Δ	3	10V P-P 2.1VDC	Δ
4	7mV P-P	Δ	4	5V P-P	Δ
5	7mV P-P	Δ	5	1V P-P	Δ
6			6	0V P-P	Δ
7			7	1V P-P	Δ
8			8	1V P-P	Δ
9			9	7.4V P-P	Δ
10	640mV P-P	Δ	10	1V P-P	Δ
11	0V P-P	Δ	11	-12V P-P	Δ
12	+12V P-P	Δ	12	0V P-P	Δ
13	3V P-P 2.2VDC	Δ	13	48V P-P 2.3VDC	Δ
14	13.3V P-P	Δ	14	78V P-P 2.8VDC	Δ
15	-13.6V P-P	Δ	15	+13V P-P	Δ
16	-13.6V P-P	Δ	16	-13.6V P-P	Δ

ASS'Y #07-526-01

DRIG. DAN-8/22/89

VERS. DRAWN BY CHECKED BY APPROVED BY

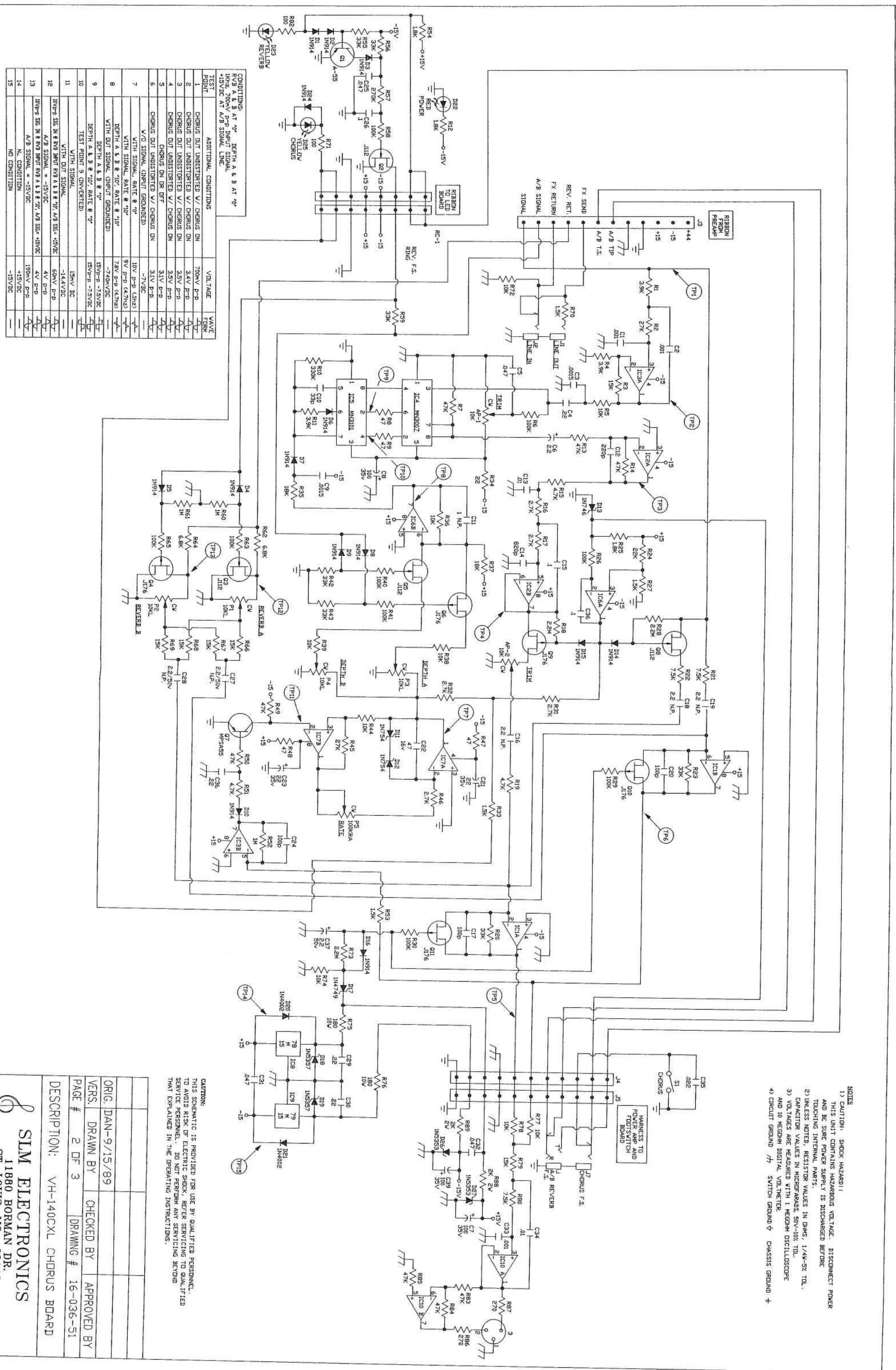
PAGE # 1 of 3 DRAWING # 16-036-51

DESCRIPTION: VH-140C PRE-AMP SCHEM

SLM ELECTRONICS
 11880 BORMAN DR.
 ST. LOUIS, MO 63146

CAUTION:
 THIS SCHEMATIC IS PROVIDED FOR USE BY QUALIFIED PERSONNEL.
 TO AVOID RISK OF ELECTRIC SHOCK, REFER SERVICING TO QUALIFIED
 SERVICE PERSONNEL. DO NOT PERFORM ANY SERVICING BEYOND
 THAT EXPLAINED IN THE OPERATING INSTRUCTIONS.

- NOTES**
- 1) CAUTION- SHOCK HAZARD!!!
 - 2) S UNIT CONTAINS HAZARDOUS VOLTAGE. DISCONNECT POWER AND BE SURE POWER SUPPLY IS DISCHARGED BEFORE TOUCHING INTERNAL PARTS.
 - 3) UNLESS NOTED, RESISTOR VALUES IN OHMS, 1/4W-5% TOL. CAPACITOR VALUES IN MICROFARADS. 50V-10% TOL.
 - 4) VOLTAGES ARE MEASURED WITH 1 MEGOHM OSCILLOSCOPE AND 10 MEGOHM DIGITAL VOLTMETER.
 - 5) CIRCUIT GROUND ⚡ CHASSIS GROUND ⊕



CONDITIONS AT 4" DEPTH A & B AT 4"

100% 700mV P-P INPUT SIGNAL
+15VDC AT A/B SIGNAL LINE

TEST POINT	ADDITIONAL CONDITIONS	VOLTAGE	WAVE FORM
1	CHORUS OUT UNDISTORTED W/ CHORUS ON	700mV P-P	∧
2	CHORUS OUT UNDISTORTED W/ CHORUS ON	3.4V P-P	∧
3	CHORUS OUT UNDISTORTED W/ CHORUS ON	3.5V P-P	∧
4	CHORUS OUT UNDISTORTED W/ CHORUS ON	3.5V P-P	∧
5	CHORUS ON OR OFF	3.1V P-P	∧
6	CHORUS OUT UNDISTORTED W/ CHORUS ON	3.1V P-P	∧
7	W/O SIGNAL (INPUT GROUND)	-7VDC	—
8	WITH SIGNAL, RATE @ 4"	10V P-P (4mV)	∧
9	DEPTH A & B @ 10", RATE @ 10"	9V P-P (4.7mV)	∧
10	WITH DUT SIGNAL (INPUT GROUND)	-7.4mVDC	—
11	TEST POINT 9 (INVERTED)	15V P-P -7.5VDC	∧
12	WITH DUT SIGNAL	-1.44VDC	—
13	IN/P-SIG IN @ R10 INPUT R1A & B @ 10", A/B SIG = +5VDC	4V P-P	∧
14	A/B SIGNAL = -15VDC	4V P-P	∧
15	N. CONDITION	190mV P-P	∧
	NO CONDITION	+15VDC	—

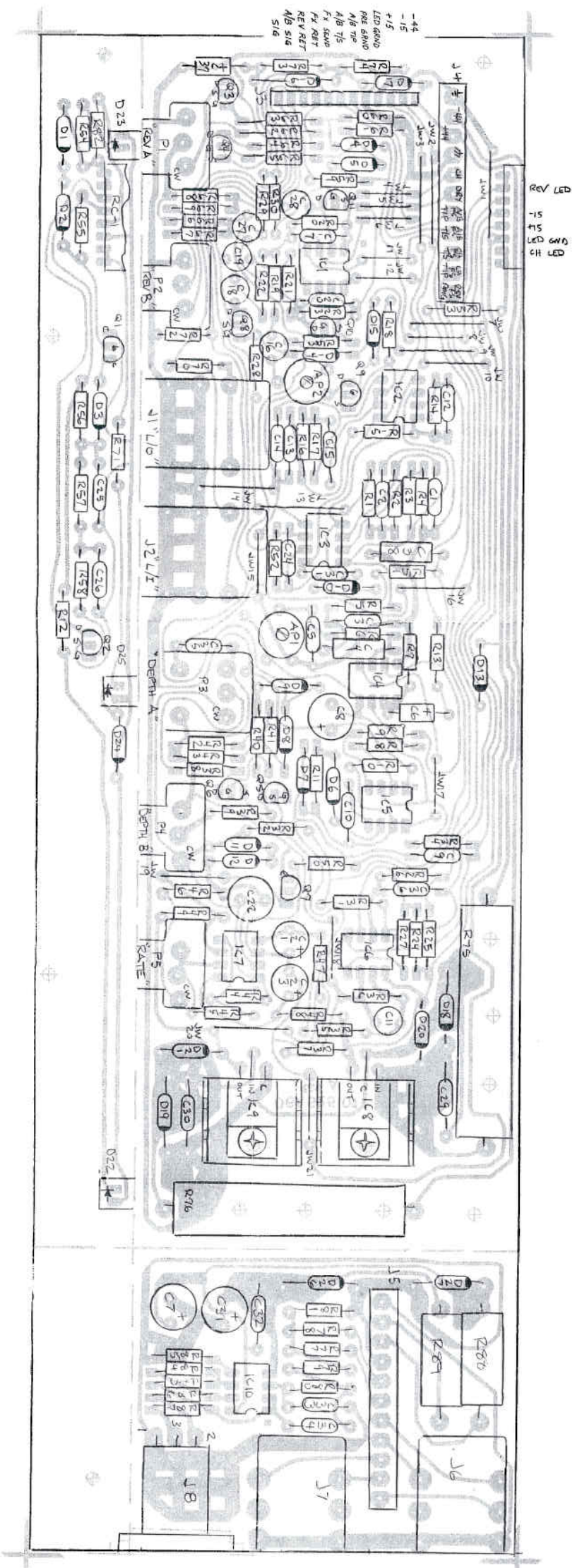
- NOTES
- 1) CAUTION, SHOCK HAZARD!! THIS UNIT CONTAINS HAZARDOUS VOLTAGE. DISCONNECT POWER AND BE SURE POWER SUPPLY IS DISCHARGED BEFORE TOUCHING INTERNAL PARTS.
 - 2) UNLESS NOTED, RESISTOR VALUES IN OHMS, 1/4W-5% TOL. CAPACITOR VALUES IN MICROFARADS, 50V-10% TOL.
 - 3) VOLTAGES ARE MEASURED WITH 1 MEGOHM OSCILLOSCOPE AND 10 MEGOHM DIGITAL VOLT-METER.
 - 4) CIRCUIT GROUND ∇ SWITCH GROUND ∇ CHASSIS GROUND ∇

CAUTION: THIS SCHEMATIC IS PROVIDED FOR USE BY QUALIFIED PERSONNEL. TO AVOID RISK OF ELECTRIC SHOCK, REFER SERVICING TO QUALIFIED SERVICE PERSONNEL. DO NOT PERFORM ANY SERVICING BEYOND THAT EXPLAINED IN THE OPERATING INSTRUCTIONS.

ORIG.	DAN-9/15/89	CHECKED BY	APPROVED BY
VERS.	DRAWN BY	DRAWING #	16-036-51
PAGE #	2 OF 3		
DESCRIPTION:	VH-140CXL CHORUS BOARD		

SLM ELECTRONICS
11880 BORMAN DR.
ST. LOUIS, MO 63146

R1	3.9K	76-392-01	R56	33K	76-333-01	C16	1u	100104-01	D1	W6-105	96-105-01	PC-1	8 PIN RIBBON	99-188-01
R2	3.9K	76-392-01	R57	270K	76-274-01	C17	220P	100221-11	D2	1J12	96-112-01	NH-1	10 ESO SHRN	33-541-01
R3	1.5K	76-153-01	R58	100K	76-104-01	C18	E, 2u/50V N.P.	100225-81	D3	1J12	96-112-01	NH-2	10-250 SHRN	33-541-01
R4	3.9K	76-392-01	R59	100K	76-104-01	C19	E, 2u/50V N.P.	100225-81	D4	1J12	96-112-01			
R5	100K	76-104-01	R60	100K	76-104-01	C20	100/25V	100225-81	D5	1J12	96-112-01			
R6	100K	76-104-01	R61	100K	76-104-01	C21	220P/25V	100225-81	D6	1J12	96-112-01			
R7	47K	76-470-01	R62	100K	76-104-01	C22	220P/25V	100225-81	D7	1J12	96-112-01			
R8	47K	76-470-01	R63	100K	76-104-01	C23	220P/25V	100225-81	D8	1J12	96-112-01			
R9	47K	76-470-01	R64	100K	76-104-01	C24	220P/25V	100225-81	D9	1J12	96-112-01			
R10	330K	76-333-01	R65	100K	76-104-01	C25	220P/25V	100225-81	D10	1J12	96-112-01			
R11	47K	76-470-01	R66	100K	76-104-01	C26	220P/25V	100225-81	D11	1J12	96-112-01			
R12	47K	76-470-01	R67	100K	76-104-01	C27	220P/25V	100225-81	D12	1J12	96-112-01			
R13	47K	76-470-01	R68	100K	76-104-01	C28	220P/25V	100225-81	D13	1J12	96-112-01			
R14	47K	76-470-01	R69	100K	76-104-01	C29	220P/25V	100225-81	D14	1J12	96-112-01			
R15	47K	76-470-01	R70	100K	76-104-01	C30	220P/25V	100225-81	D15	1J12	96-112-01			
R16	2.2K	76-220-01	R71	100K	76-104-01	C31	220P/25V	100225-81	D16	1J12	96-112-01			
R17	2.2K	76-220-01	R72	100K	76-104-01	C32	220P/25V	100225-81	D17	1J12	96-112-01			
R18	2.2K	76-220-01	R73	100K	76-104-01	C33	220P/25V	100225-81	D18	1J12	96-112-01			
R19	2.2K	76-220-01	R74	100K	76-104-01	C34	220P/25V	100225-81	D19	1J12	96-112-01			
R20	100K	76-104-01	R75	100K	76-104-01	C35	220P/25V	100225-81	D20	1J12	96-112-01			
R21	100K	76-104-01	R76	100K	76-104-01	C36	220P/25V	100225-81	D21	1J12	96-112-01			
R22	100K	76-104-01	R77	100K	76-104-01	C37	220P/25V	100225-81	D22	1J12	96-112-01			
R23	100K	76-104-01	R78	100K	76-104-01	C38	220P/25V	100225-81	D23	1J12	96-112-01			
R24	100K	76-104-01	R79	100K	76-104-01	C39	220P/25V	100225-81	D24	1J12	96-112-01			
R25	100K	76-104-01	R80	100K	76-104-01	C40	220P/25V	100225-81	D25	1J12	96-112-01			
R26	100K	76-104-01	R81	100K	76-104-01	C41	220P/25V	100225-81	D26	1J12	96-112-01			
R27	100K	76-104-01	R82	100K	76-104-01	C42	220P/25V	100225-81	D27	1J12	96-112-01			
R28	100K	76-104-01	R83	100K	76-104-01	C43	220P/25V	100225-81	D28	1J12	96-112-01			
R29	100K	76-104-01	R84	100K	76-104-01	C44	220P/25V	100225-81	D29	1J12	96-112-01			
R30	100K	76-104-01	R85	100K	76-104-01	C45	220P/25V	100225-81	D30	1J12	96-112-01			
R31	100K	76-104-01	R86	100K	76-104-01	C46	220P/25V	100225-81	D31	1J12	96-112-01			
R32	100K	76-104-01	R87	100K	76-104-01	C47	220P/25V	100225-81	D32	1J12	96-112-01			
R33	100K	76-104-01	R88	100K	76-104-01	C48	220P/25V	100225-81	D33	1J12	96-112-01			
R34	100K	76-104-01	R89	100K	76-104-01	C49	220P/25V	100225-81	D34	1J12	96-112-01			
R35	100K	76-104-01	R90	100K	76-104-01	C50	220P/25V	100225-81	D35	1J12	96-112-01			
R36	100K	76-104-01	R91	100K	76-104-01	C51	220P/25V	100225-81	D36	1J12	96-112-01			
R37	100K	76-104-01	R92	100K	76-104-01	C52	220P/25V	100225-81	D37	1J12	96-112-01			
R38	100K	76-104-01	R93	100K	76-104-01	C53	220P/25V	100225-81	D38	1J12	96-112-01			
R39	100K	76-104-01	R94	100K	76-104-01	C54	220P/25V	100225-81	D39	1J12	96-112-01			
R40	100K	76-104-01	R95	100K	76-104-01	C55	220P/25V	100225-81	D40	1J12	96-112-01			
R41	100K	76-104-01	R96	100K	76-104-01	C56	220P/25V	100225-81	D41	1J12	96-112-01			
R42	100K	76-104-01	R97	100K	76-104-01	C57	220P/25V	100225-81	D42	1J12	96-112-01			
R43	100K	76-104-01	R98	100K	76-104-01	C58	220P/25V	100225-81	D43	1J12	96-112-01			
R44	100K	76-104-01	R99	100K	76-104-01	C59	220P/25V	100225-81	D44	1J12	96-112-01			
R45	100K	76-104-01	R100	100K	76-104-01	C60	220P/25V	100225-81	D45	1J12	96-112-01			
R46	100K	76-104-01	R101	100K	76-104-01	C61	220P/25V	100225-81	D46	1J12	96-112-01			
R47	100K	76-104-01	R102	100K	76-104-01	C62	220P/25V	100225-81	D47	1J12	96-112-01			
R48	100K	76-104-01	R103	100K	76-104-01	C63	220P/25V	100225-81	D48	1J12	96-112-01			
R49	100K	76-104-01	R104	100K	76-104-01	C64	220P/25V	100225-81	D49	1J12	96-112-01			
R50	100K	76-104-01	R105	100K	76-104-01	C65	220P/25V	100225-81	D50	1J12	96-112-01			
R51	100K	76-104-01	R106	100K	76-104-01	C66	220P/25V	100225-81	D51	1J12	96-112-01			
R52	100K	76-104-01	R107	100K	76-104-01	C67	220P/25V	100225-81	D52	1J12	96-112-01			
R53	100K	76-104-01	R108	100K	76-104-01	C68	220P/25V	100225-81	D53	1J12	96-112-01			
R54	100K	76-104-01	R109	100K	76-104-01	C69	220P/25V	100225-81	D54	1J12	96-112-01			
R55	100K	76-104-01	R110	100K	76-104-01	C70	220P/25V	100225-81	D55	1J12	96-112-01			



NOTES: 1) UNLESS OTHERWISE SPECIFIED, ALL RESISTORS ARE IN OHMS 1/4 WATT, 5%, ALL CAPACITORS ARE IN MICROFARADS AND HAVE A 50 VOLT RATING MINIMUM.

REVOLUTIONS			
NO.	DATE	BY	REVISIONS
1			
2			
3			
4			
5			
6			
7			
8			
9			
10			

TOLERANCES
 DIMENSIONS
 ANGULARS

VENDOR
 PARTIAL
 DRAWN BY
 CHECKED
 DATE
 APPROVED

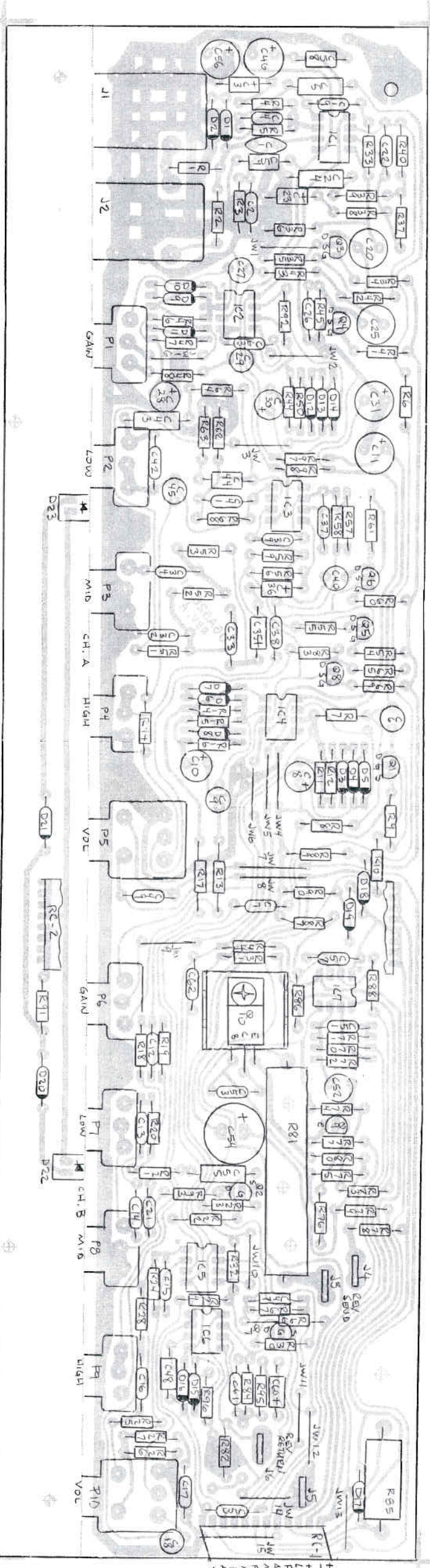
SCALE: 2X
 MATERIAL:
 DRAWING NO.
 07-525-01

ASSY, PART NO. 07-525-01

VH-140C CHORUS BRD PICT

SLM ELECTRONICS
 1400 FERRISBURG, ST. LOUIS, MO 63133

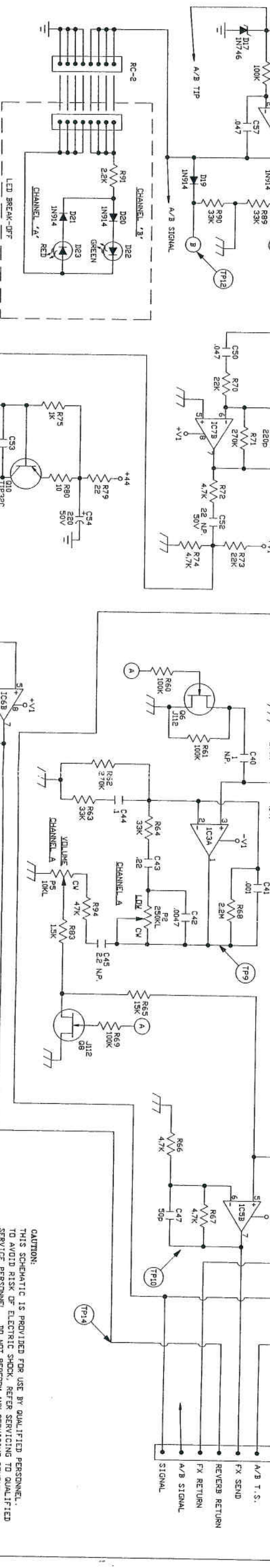
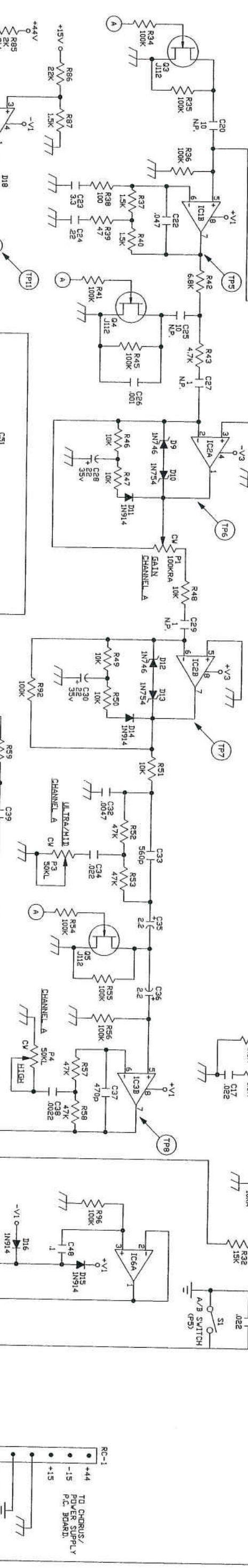
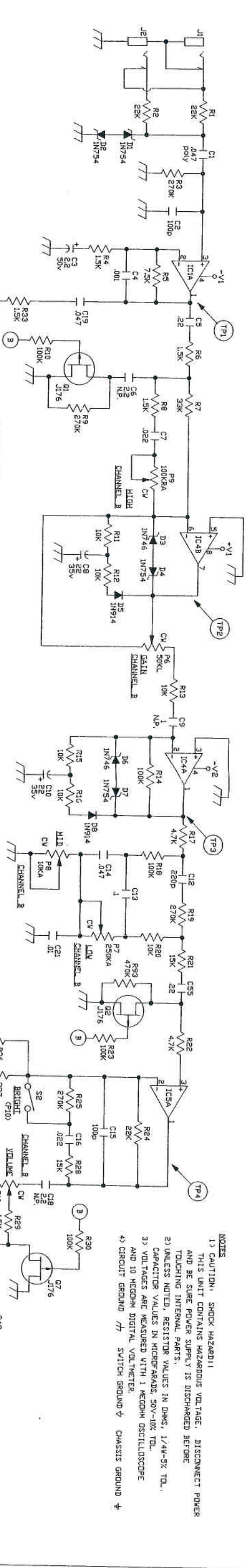
R1	100K	76-283-01	R55	100K	76-104-01	C4	100uf	10M102-11	C28	1uf	10M104-01	PC-1	SR 27V P.C.	068926, 01
R2	50K	76-283-01	R56	100K	76-104-01	C5	100uf	10M102-11	C29	1uf	10M104-01			
R3	50K	76-283-01	R57	100K	76-104-01	C6	100uf	10M102-11	C30	1uf	10M104-01			
R4	1.5K	76-152-01	R58	47K	76-152-01	C7	100uf	10M102-11	C31	1uf	10M104-01			
R5	7.5K	76-152-01	R59	270K	76-152-01	C8	100uf	10M102-11	C32	1uf	10M104-01			
R6	1.5K	76-152-01	R60	100K	76-152-01	C9	100uf	10M102-11	C33	1uf	10M104-01			
R7	1.5K	76-152-01	R61	100K	76-152-01	C10	100uf	10M102-11	C34	1uf	10M104-01			
R8	1.5K	76-152-01	R62	100K	76-152-01	C11	100uf	10M102-11	C35	1uf	10M104-01			
R9	1.5K	76-152-01	R63	100K	76-152-01	C12	100uf	10M102-11	C36	1uf	10M104-01			
R10	100K	76-104-01	R64	100K	76-104-01	C13	100uf	10M102-11	C37	1uf	10M104-01			
R11	100K	76-104-01	R65	100K	76-104-01	C14	100uf	10M102-11						
R12	100K	76-104-01	R66	100K	76-104-01	C15	100uf	10M102-11						
R13	100K	76-104-01	R67	100K	76-104-01	C16	100uf	10M102-11						
R14	100K	76-104-01	R68	100K	76-104-01	C17	100uf	10M102-11						
R15	100K	76-104-01	R69	100K	76-104-01	C18	100uf	10M102-11						
R16	100K	76-104-01	R70	100K	76-104-01	C19	100uf	10M102-11						
R17	100K	76-104-01	R71	100K	76-104-01	C20	100uf	10M102-11						
R18	100K	76-104-01	R72	100K	76-104-01	C21	100uf	10M102-11						
R19	100K	76-104-01	R73	100K	76-104-01	C22	100uf	10M102-11						
R20	100K	76-104-01	R74	100K	76-104-01	C23	100uf	10M102-11						
R21	100K	76-104-01	R75	100K	76-104-01	C24	100uf	10M102-11						
R22	100K	76-104-01	R76	100K	76-104-01	C25	100uf	10M102-11						
R23	100K	76-104-01	R77	100K	76-104-01	C26	100uf	10M102-11						
R24	100K	76-104-01	R78	100K	76-104-01	C27	100uf	10M102-11						
R25	100K	76-104-01	R79	100K	76-104-01	C28	100uf	10M102-11						
R26	100K	76-104-01	R80	100K	76-104-01	C29	100uf	10M102-11						
R27	100K	76-104-01	R81	100K	76-104-01	C30	100uf	10M102-11						
R28	100K	76-104-01	R82	100K	76-104-01	C31	100uf	10M102-11						
R29	100K	76-104-01	R83	100K	76-104-01	C32	100uf	10M102-11						
R30	100K	76-104-01	R84	100K	76-104-01	C33	100uf	10M102-11						
R31	100K	76-104-01	R85	100K	76-104-01	C34	100uf	10M102-11						
R32	100K	76-104-01	R86	100K	76-104-01	C35	100uf	10M102-11						
R33	100K	76-104-01	R87	100K	76-104-01	C36	100uf	10M102-11						
R34	100K	76-104-01	R88	100K	76-104-01	C37	100uf	10M102-11						
R35	100K	76-104-01	R89	100K	76-104-01	C38	100uf	10M102-11						
R36	100K	76-104-01	R90	100K	76-104-01	C39	100uf	10M102-11						
R37	100K	76-104-01	R91	100K	76-104-01	C40	100uf	10M102-11						
R38	100K	76-104-01	R92	100K	76-104-01	C41	100uf	10M102-11						
R39	100K	76-104-01	R93	100K	76-104-01	C42	100uf	10M102-11						
R40	100K	76-104-01	R94	100K	76-104-01	C43	100uf	10M102-11						
R41	100K	76-104-01	R95	100K	76-104-01	C44	100uf	10M102-11						
R42	100K	76-104-01	R96	100K	76-104-01	C45	100uf	10M102-11						
R43	100K	76-104-01	R97	100K	76-104-01	C46	100uf	10M102-11						
R44	100K	76-104-01	R98	100K	76-104-01	C47	100uf	10M102-11						
R45	100K	76-104-01	R99	100K	76-104-01	C48	100uf	10M102-11						
R46	100K	76-104-01				C49	100uf	10M102-11						
R47	100K	76-104-01				C50	100uf	10M102-11						
R48	100K	76-104-01				C51	100uf	10M102-11						
R49	100K	76-104-01				C52	100uf	10M102-11						
R50	100K	76-104-01				C53	100uf	10M102-11						
R51	100K	76-104-01				C54	100uf	10M102-11						
R52	100K	76-104-01				C55	100uf	10M102-11						
R53	100K	76-104-01				C56	100uf	10M102-11						
R54	100K	76-104-01				C57	100uf	10M102-11						



NOTES: 1) UNLESS OTHERWISE SPECIFIED, ALL RESISTORS ARE 1% OHMS 1/4 WATT, 5%, ALL CAPACITORS ARE IN MICROFARADS AND HAVE A 50 VOLT RATING (MINIMUM).

TOLERANCES		DIMENSIONS	
1	RESISTORS	1	SIZE
2	CAPACITORS	2	SIZE
3	MEASUREMENTS	3	SIZE
4	ANGLES	4	SIZE
5	DRILLING	5	SIZE
6	PLATING	6	SIZE
7	FINISH	7	SIZE
8	TEXT	8	SIZE
9	OTHER	9	SIZE

ASSY. PART NO. 07-526-01
 VH-140 C PREAMP PC PICT
 SLM ELECTRONICS
 1400 FERGUSON, ST. LOUIS, MO 63133
 SCALE 2-X
 DATE 9/15/59
 DRAWING NO. 07-526-01



- NOTES
- 1) CAUTION! SHOCK HAZARD!!! THIS UNIT CONTAINS HAZARDOUS VOLTAGE. DISCONNECT POWER AND BE SURE POWER SUPPLY IS DISCHARGED BEFORE TOUCHING INTERNAL PARTS.
 - 2) UNLESS NOTED, RESISTOR VALUES IN OHMS; 1/4W-5% TOL. CAPACITOR VALUES IN MICROFARADS; 50V-10% TOL.
 - 3) VOLTAGES ARE MEASURED WITH 1 MEGOHM OSCILLOSCOPE AND 10 MEGOHM DIGITAL VOLTMETER.
 - 4) CIRCUIT GROUND ∇ SWITCH GROUND ∇ CHASSIS GROUND ∇

CHANNEL A		CHANNEL B	
TEST POINT	VOLTAGE	TEST POINT	VOLTAGE
1	125mV P-P	1	1.2V P-P
2	480mV P-P	2	1.2V P-P
3	4.8V P-P	3	1.2V P-P
4	7.7mV P-P	4	1.2V P-P
5		5	1.2V P-P
6		6	1.2V P-P
7		7	1.2V P-P
8		8	1.2V P-P
9		9	1.2V P-P
10		10	1.2V P-P
11		11	1.2V P-P
12		12	1.2V P-P
13		13	1.2V P-P
14		14	1.2V P-P
15		15	1.2V P-P
16		16	1.2V P-P

CAUTION: THIS SCHEMATIC IS PROVIDED FOR USE BY QUALIFIED PERSONNEL. TO AVOID RISK OF ELECTRIC SHOCK, REFER SERVICING TO QUALIFIED SERVICE PERSONNEL. DO NOT PERFORM ANY SERVICING BEYOND THAT EXPLAINED IN THE OPERATING INSTRUCTIONS.

ASS'Y #07-526-01

DESCRIPTION: VH-140C PRE-AMP SCHEM

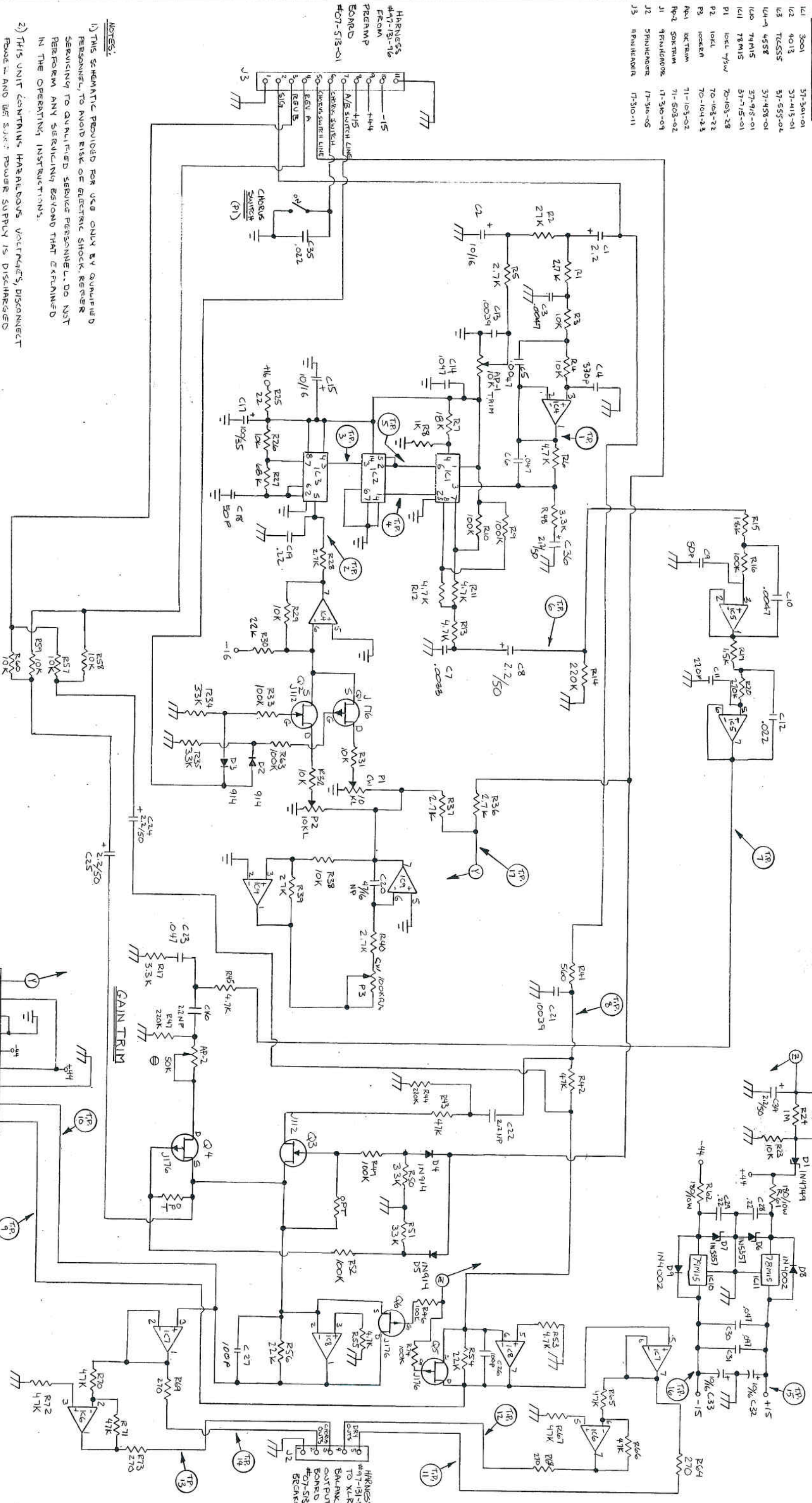
PAGE # 1 OF 3 DRAWING # 16-036-51

CHECKED BY APPROVED BY

SLM ELECTRONICS
11860 BORMAN DR.
ST. LOUIS, MO 63146

PARTIAL PART LIST

L1	3001	37-301-01
L2	4013	37-413-01
L3	T6555	37-555-04
L4-1	4558	37-458-01
L4-2	74M15	37-715-01
L4-3	78M15	37-715-01
P1	lock	70-103-28
P2	lock	70-103-22
P3	lock	70-104-23
P4-1	lock	71-103-02
P4-2	SOK TRIM	71-503-02
J1	SPRINGER	17-310-01
J2	SPRINGER	17-310-05
J3	SPRINGER	17-310-11

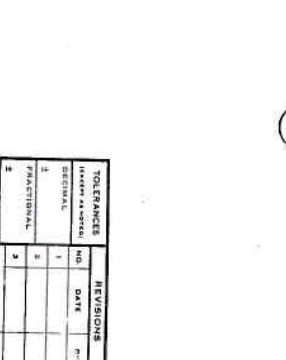
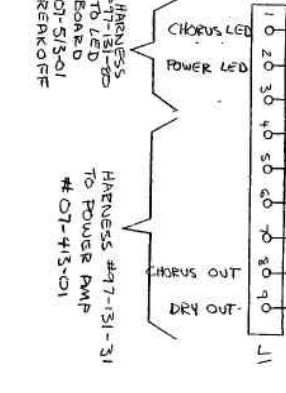


NOTES:

- 1) THIS SCHEMATIC PROVIDED FOR USE ONLY BY QUALIFIED PERSONNEL TO AVOID RISK OF ELECTRICAL SHOCK. REFER SERVICING TO QUALIFIED SERVICE PERSONNEL. DO NOT PERFORM ANY SERVICING BEYOND THAT EXPLAINED IN THE OPERATING INSTRUCTIONS.
- 2) THIS UNIT CONTAINS HAZARDOUS VOLTAGES. DISCONNECT POWER AND BE SURE POWER SUPPLY IS DISCHARGED BEFORE TOUCHING INTERNAL PARTS.
- 3) UNLESS OTHERWISE SPECIFIED ALL RESISTORS ARE IN OHMS, 1/4 WATT, 5%. ALL CAPACITORS ARE IN MICROFARADS AND HAVE A 50V RATING.
- 4) MEASUREMENTS AT TEST POINTS ARE MADE WITH A 1MΩ INPUT IMPEDANCE UNDER THE FOLLOWING CONDITIONS:
A/B SWITCH LINE @ -15V, CHOP SW. SWITCH LINE @ -15V, 24vpp IN P/P @ 1kHz. EXCEPT AS NOTED.

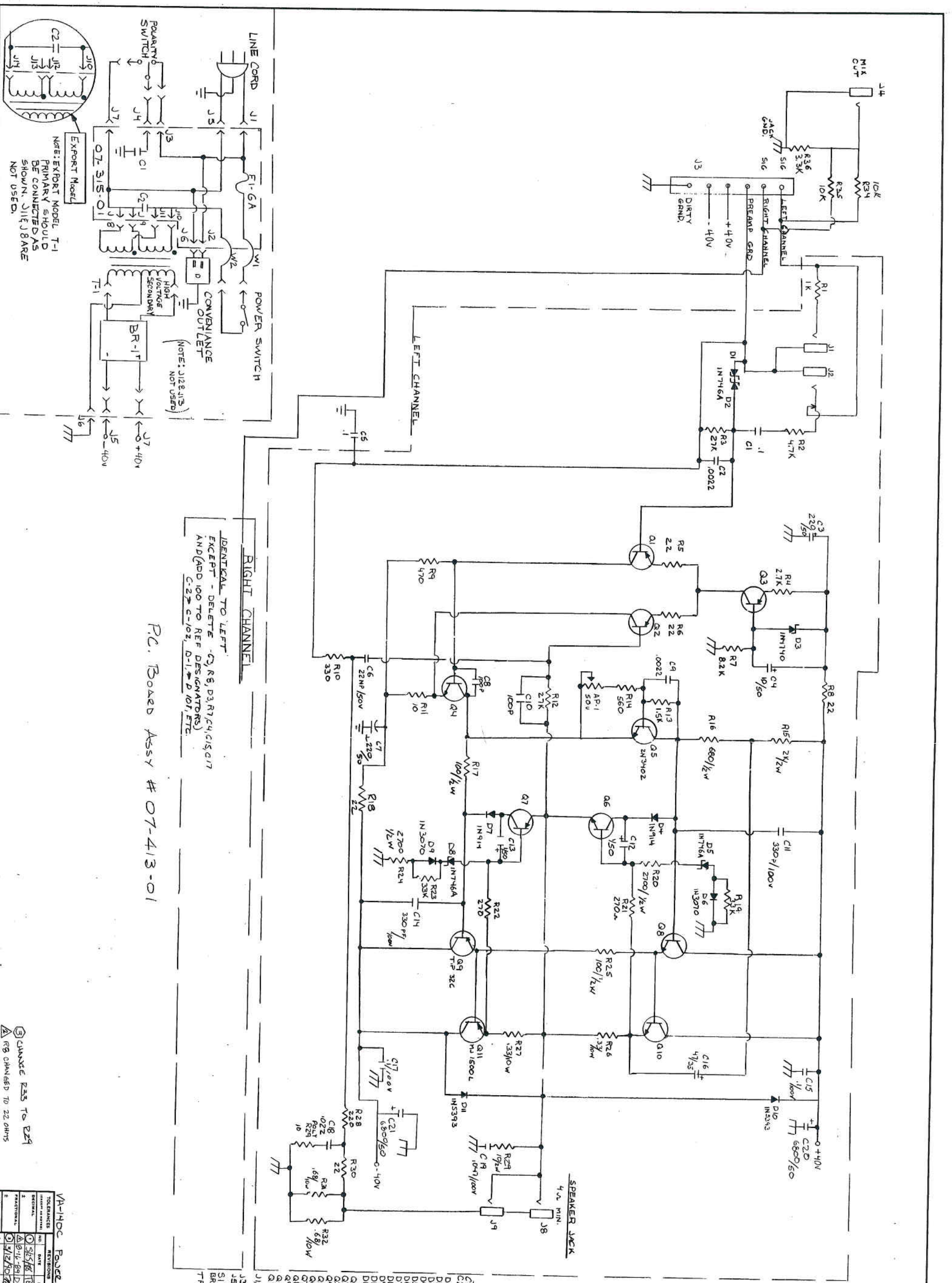
TP	WAVE FORM	VOLTAGE	SPECIAL CONDITIONS
1	~	7.0V DC	DEPTH A @ 0
2	~	REFRESHING 2.5VDC	DEPTH A @ 0
"	~	6.8VDC	DEPTH A @ 0
"	~	SWAMPING 2.5VDC	DEPTH A @ 0
"	~	6.8VDC	DEPTH A @ 0
3	JT	ES200MHz	DEPTH A @ 0
"	JT	ES200MHz	DEPTH A @ 0
4	JT	ES200MHz	DEPTH A @ 0
"	JT	ES200MHz	DEPTH A @ 0
5	JT	ES200MHz	DEPTH A @ 0
6	~	4.5VDC	DEPTH A @ 0
7	~	4.5VDC	DEPTH A @ 0
8	~	7VDC	DEPTH A @ 0

9	~	3.1VDC	DEPTH A @ 0
10	~	3.1VDC	DEPTH A @ 0
11	~	3.1VDC	DEPTH A @ 0
12	~	3.1VDC	DEPTH A @ 0
13	~	3.1VDC	DEPTH A @ 0
14	~	3.1VDC	DEPTH A @ 0
15	~	3.1VDC	DEPTH A @ 0
16	~	3.1VDC	DEPTH A @ 0
17	~	3.1VDC	DEPTH A @ 0



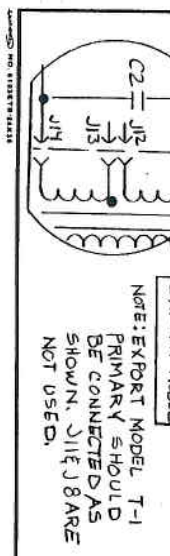
NO.	REVISIONS	DATE	BY	APP.
1	INITIAL			
2	FRACTIONAL			

SS-140C
POWER AND CHOP SW
SLM ELECTRONICS
1100 BOONVILLE ST. MO. 63116
TEL: 314-241-1111
FAX: 314-241-1111



RIGHT CHANNEL
 IDENTICAL TO LEFT
 EXCEPT - DELETE - C9, R5, D3, R7, C4, C15, C17
 AND (ADD 100 TO REF DESIGNATORS)
 C-2 → C-102, D-1 → D-101, ETC

P.C. BOARD ASSY # 07-413-01



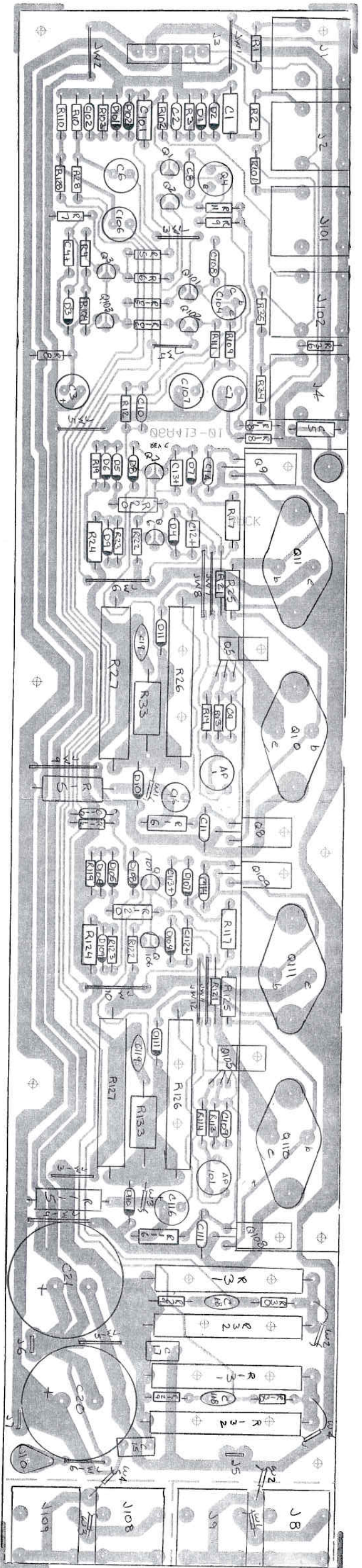
NOTE: EXPORT MODEL T-1
 PRIMARY SHOULD
 BE CONNECTED AS
 SHOWN. J1, J3, J8 ARE
 NOT USED.

TOLERANCES		REVISIONS		DATE		BY		DESCRIPTION	
±	10%	1	1	1/18/68	1/18/68	1/18/68	1/18/68	VA-140C POWER AMP	SHT 20F3
±	5%	2	1	1/24/68	1/24/68	1/24/68	1/24/68	AMPEG SS-140C POWER AMP - LEFT CHANNEL	
±	5%	3	1	1/24/68	1/24/68	1/24/68	1/24/68	AMPEG SS-140C POWER AMP - RIGHT CHANNEL	
±	5%	4	1	1/24/68	1/24/68	1/24/68	1/24/68	AMPEG SS-140C POWER AMP - LEFT CHANNEL	
±	5%	5	1	1/24/68	1/24/68	1/24/68	1/24/68	AMPEG SS-140C POWER AMP - RIGHT CHANNEL	

PART NO.	DESCRIPTION	PART NO.	DESCRIPTION
C22, R3	6800/50	12-688-02	12-688-02
C24, Z5	.0027 V.L.	10-272-01	10-272-01
D1	IN746A	21A146-01	21A146-01
D2	IN746A	21A146-01	21A146-01
D3	IN746A	21A146-01	21A146-01
D4	IN746A	21A146-01	21A146-01
D5	IN746A	21A146-01	21A146-01
D6	IN746A	21A146-01	21A146-01
D7	IN746A	21A146-01	21A146-01
D8	IN746A	21A146-01	21A146-01
D9	IN3070	21A146-01	21A146-01
D10	IN3070	21A146-01	21A146-01
D11	IN5393	21A573-01	21A573-01
Q1	MP25A56	96-056-01	96-056-01
Q2	MP25A56	96-056-01	96-056-01
Q3	MP25A56	96-056-01	96-056-01
Q4	MP25A56	96-056-01	96-056-01
Q5	2N3440	96-340-01	96-340-01
Q6	2N3440	96-340-01	96-340-01
Q7	MP25A56	96-056-01	96-056-01
Q8	MP25A56	96-056-01	96-056-01
Q9	TIP32C	96-032-03	96-032-03
Q10	MU15001	96-101-01	96-101-01
Q11	MU15002	96-102-01	96-102-01
J1, 2, 8, 9, 4	1/2" JACK	39-116-01	39-116-01
J3	5 PIN HEADER	17-309-05	17-309-05
J5-7	.250 TAB	17-836-01	17-836-01
S1	SWITCH	88-302-01	88-302-01
BR-1	BRIDGE REC	21-204-01	21-204-01
TP-1	TRIM POT	71-501-02	71-501-02

VA-140C POWER AMP
 SHT 20F3
 AMPEG SS-140C POWER AMP - LEFT CHANNEL
 AMPEG SS-140C POWER AMP - RIGHT CHANNEL
 AMPEG SS-140C POWER AMP - LEFT CHANNEL
 AMPEG SS-140C POWER AMP - RIGHT CHANNEL

1. CHANGE R25 TO R24
 2. R3 CHANGED TO 22 OHMS
 3. UP-DATED "J" DESIGNATORS



PART	DESCRIPTION	PART NO.
R14	560	76-561-01
R15	2K, 2W	78-202-01
R1, 101	1K	76-102-01
R2, 102	1K	76-102-01
R3, 103	1K	76-102-01
R4, 104	2.2K	76-212-01
R5, 105	2.2K	76-212-01
R6, 106	2.2K	76-212-01
R7	8.2K	76-822-01
R8	22	76-220-01
R9, 109	470	76-471-01
R10, 110	330	76-331-01
R11, 111	10	76-100-01
R12, 112	1.5K	76-152-01
R13, 113	2.7K	76-272-01
R14, 114	680	77-680-01
R15, 115	100	77-101-01
R16, 116	2.2	76-220-01
R17, 117	3.3K	76-330-01
R18, 118	2700	76-270-01
R19, 119	270	76-271-01
R20, 120	270	76-271-01
R21, 121	330K	76-330-01
R22, 122	2100	77-210-01
R23, 123	100	77-101-01
R24, 124	33/10W	78-330-10
R25, 125	33/10W	78-330-10
R26, 126	220	76-221-01
R27, 127	10	76-100-01
R28, 128	22	76-220-01
R29, 129	10	76-100-01
R30, 130	68/10W	78-680-10
R31, 131	10/2W	78-100-01
R32, 132	10K	76-103-01
R33, 133	10K	76-103-01
R34, 134	10K	76-103-01
R35, 135	33K	76-332-01
R36, 136	33K	76-332-01
JW1-16		76-000-02
C1, 101	1	10A104-01
C2, 102	100Z2	10A222-01
C3, 103	220/50V	12-227-02
C4	1/50V	12A105-51
C5, 105	22 NP/50V	10A104-01
C6, 106	220/50V	12-226-81
C7, 107	220/50V	12-227-02
C8, 108	100P	10A101-21
C9, 109	100P	10A102-21
C10, 110	100P	10A331-11
C11, 111	330P/100V	12A105-51
C12, 112	1/50V	12A105-51
C13, 113	1/50V	12A105-51
C14, 114	330P/100V	10A331-11
C15	1/100V	10A104-01

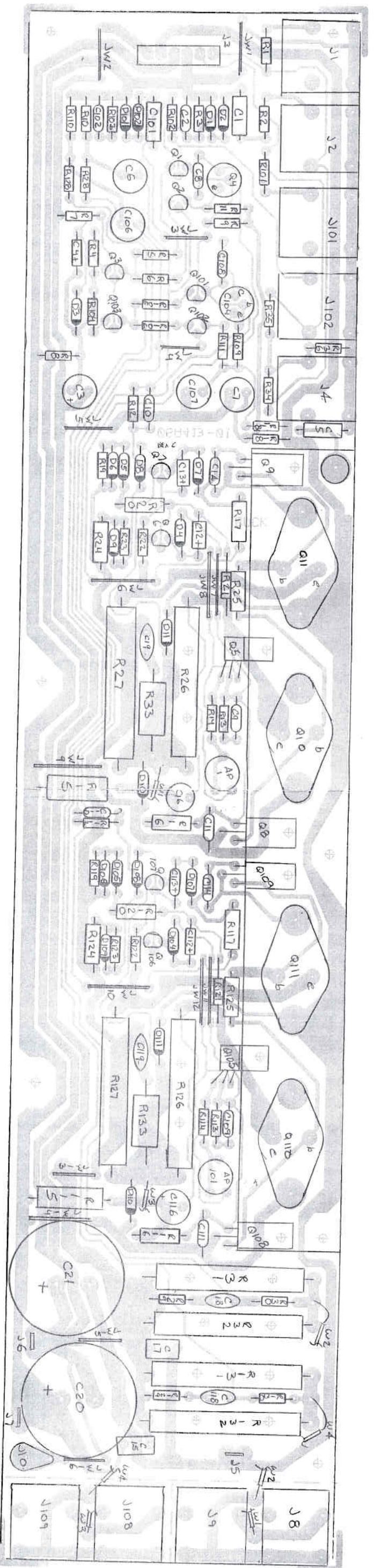
PART	DESCRIPTION	PART NO.
G16, 116	47/35V	12-473-32
C17, 117	1/100V	10A104-01
C18, 118	.022 POLY	10-223-02
C19, 119	.047/100V POLY	10-473-03
C20	6800/30	12-688-02
C21	6800/50	12-688-02

PART	DESCRIPTION	PART NO.
D1, 101	IN 746 A	21A146-01
D2, 102	IN 746 A	21A146-01
D3	IN 746 A	21A146-01
D4, 104	IN 746 A	21A146-01
D5, 105	IN 746 A	21A146-01
D6, 106	IN 746 A	21A146-01
D7, 107	IN 746 A	21A146-01
D8, 108	IN 746 A	21A146-01
D9, 109	IN 3070	21A146-01
D10, 110	IN 3070	21A370-01
D11, 111	IN 5393	21A543-01
Q1, 101	MPS A 56	96-056-01
Q2, 102	MPS A 56	96-056-01
Q3, 103	MPS A 56	96-056-01
Q4, 104	2N 3440	96-344-01
Q5, 105	2N 3440	96-344-01
Q6, 106	MPS A 56	96-056-01
Q7, 107	MPS A 56	96-056-01
Q8, 108	TIP 31C	96-031-03
Q9, 109	TIP 31C	96-031-03
Q10, 110	MJ 15002	96-101-01
Q11, 111	MJ 15002	96-102-01
J1, 2, 8, 9, 4, 10, 102	Y4" JACK	34-116-01
J3	6 PIN HDR.	17-309-06
J5-7	.250 TAB.	17-835-01
J10	GROUND LUG	17-500-01
TP-1, 101	TRIM POT.	71-501-02
H.S.	BRACKET	33-117-01
W1	10.5" RED WIRE	97-168-02
W2	5.5" BLACK WIRE	97-168-56
W3	6.5" RED WIRE	97-168-62
W4	5.5" BLACK WIRE	97-168-56

REVISIONS	NO.	DATE	BY	DESCRIPTION
1	1	8/14/57	SLM	INITIAL DESIGN
2	2	8/14/57	SLM	REVISED

PIN-07-413-01
 SS-740CA PWR AMP
 VH-HOC PWR AMP
 SLM ELECTRONICS
 LIBBO ROEMAN ST. LOUIS MO 63146
 DATE 8/14/57 BY SLM
 DRAWING NO. 07-413-01

ΔR8 CHANGED TO 22 OHMS.



PART	DESCRIPTION	PART No.
R14	560	76-561-01
R15	2K, 2W	78-202-01
R1, 101	1K	76-102-01
R2, 102	47K	76-472-01
R3, 103	27K	76-273-01
R4, 104	27K	76-272-01
R5, 105	22	76-220-01
R6, 106	22	76-220-01
R7	8.2 K	76-822-01
R8	22	76-220-01
R9, 109	470	76-471-01
R10, 110	330	76-331-01
R11, 111	10	76-100-01
R12, 112	27K	76-273-01
R13, 113	1.5K	76-153-01
R16, 116	680	77-680-01
R17, 117	100	76-100-01
R18, 118	33K	76-330-01
R19, 119	2700	76-270-01
R20, 120	270	76-270-01
R21, 121	270	76-271-01
R22, 122	270	76-271-01
R23, 123	270	76-271-01
R24, 124	270	76-271-01
R25, 125	270	76-271-01
R26, 126	100	77-101-01
R27, 127	33/10W	78-330-10
R28, 128	33/10W	78-330-10
R29, 129	220	76-221-01
R30, 130	10	76-100-01
R31, 131	22	76-220-01
R32, 132	68/10W	78-068-10
R33, 133	10/10W	78-100-01
R34, 134	10K	76-103-01
R35, 135	10K	76-103-01
R36, 136	3.3K	76-332-01
JW1-16		76-000-02
C1, 101	1	10A104-01
C2, 102	10022	10A222-01
C3	220/50V	12-227-02
C4	1/50V	12A105-57
C5, 105	1	10A104-01
C6, 106	22 NF/50V	12-226-81
C7, 107	220/50V	12-227-02
C8, 108	100p	10A101-02
C9, 109	10022	10A222-01
C10, 110	100p	10A102-01
C11, 111	330p/100V	10A331-1
C12, 112	1/50V	12A105-51
C13, 113	1/50V	12A105-51
C14, 114	330p/100V	10A331-1
C15	1/100V	10A104-01

PART	DESCRIPTION	PART NO.
Q1, 101	IN 746 A	21A146-01
Q2, 102	IN 746 A	21A146-01
Q3, 103	IN 746 A	21A146-01
Q4, 104	IN 914	21A110-01
Q5, 105	IN 746 A	21A146-01
Q6, 106	IN 707D	21A116-01
Q7, 107	IN 914	21A110-01
Q8, 108	IN 746 A	21A146-01
Q9, 109	IN 3050	21A146-01
Q10, 110	IN 5393	21A5393-01
Q11, 111	IN 5393	21A5393-01
Q1, 101	MPS A 56	96-056-01
Q2, 102	MPS A 56	96-056-01
Q3, 103	MPS A 56	96-056-01
Q4, 104	2N 3440	96-340-01
Q5, 105	2N 3440	96-340-01
Q6, 106	MPS A 56	96-056-01
Q7, 107	MPS A 56	96-056-01
Q8, 108	MPS A 56	96-056-01
Q9, 109	TP 31C	96-031-03
Q10, 110	TP 32C	96-032-02
Q11, 111	MJ 15002	96-101-01
		96-102-01
J1, 2, 8, 9, 4, 10, 11, 2	Y4" JACK	34-116-01
J3	6 PIN HDR.	17-309-06
J5-7	.250 TAB.	17-836-01
J10	GROUND TUG	17-500-01
TP-1, 101	TRIM POT.	71-501-02
H.S.	BRACKET	33-117-01
W1	10.5" RED WIRE	97-168-02
W2	5.5" BLACK WIRE	97-168-56
W3	6.5" RED WIRE	97-168-62
W4	5.5" BLACK WIRE	97-168-56

REV	DATE	BY	DESCRIPTION
1			ORIGINAL
2			REVISION
3			REVISION
4			REVISION
5			REVISION
6			REVISION
7			REVISION
8			REVISION
9			REVISION
10			REVISION

PIN-07-413-01
 55-740CA PWR AMP.
 SLM ELECTRONICS
 1180 SOLEMAN ST. LOUIS, MO 63116
 DATE 7-13-62
 DRAWING NO. 07-413-01