
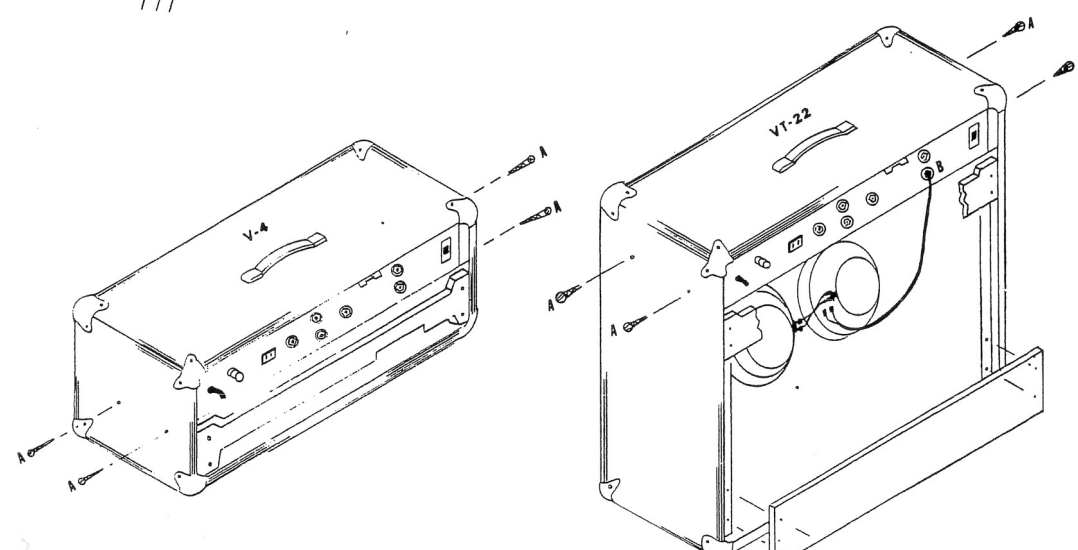
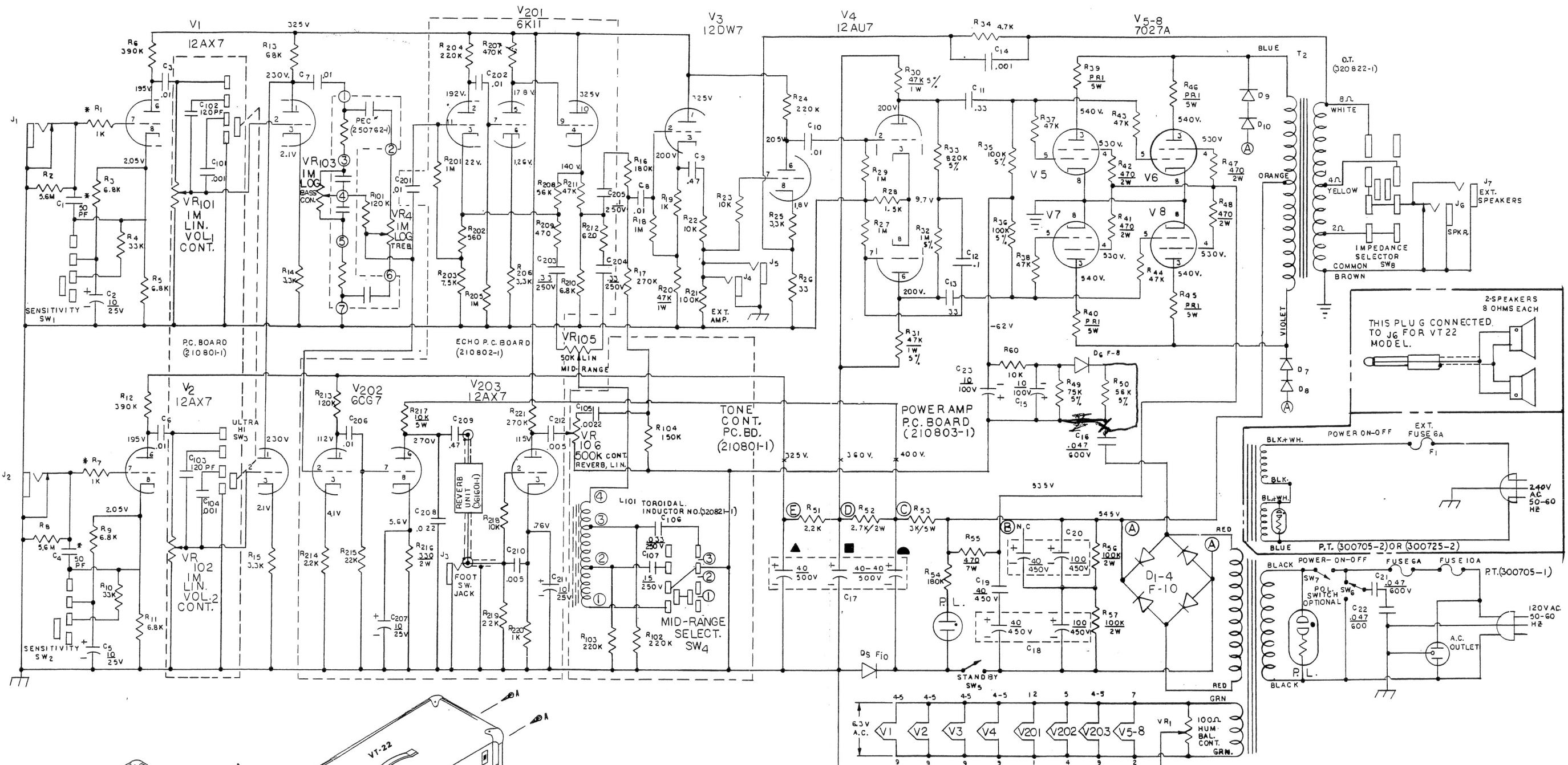


NOTES - ALL RESISTORS IN OHMS $\frac{1}{2}$ W 10% UNLESS OTHERWISE SPECIFIED.
 - ALL CAPACITORS IN WFD. AND 400V UNLESS OTHERWISE SPECIFIED.
 - D.C. VOLTAGE READINGS WITH NO SIGNAL APPLIED USING A 20,000 Ω PER VOLT VOLTMETER.
 - NUMBERS IN PARENTHESIS REFER TO AMPEG'S PART NO.
 * - R38, 3A, 8930053, IN 220V. MODELS ONLY
 * - R1, R7, C1, C4 WILL NOT APPEAR IN SOME UNITS.
 - D.C. VOLTAGE READINGS ARE POSITIVE WITH RESPECT TO CHASSIS GROUND UNLESS OTHERWISE SPECIFIED.
 - CIRCUIT OF CHASSIS MAY VARY SLIGHTLY FROM THAT SHOWN HERE DUE TO NORMAL PRODUCTION CHANGES.


ampeg
 LINCOLN, NEW JERSEY

MODELS
 VT-22
 V-4

U.S. PATENT PENDING	DRN. BY	DATE	DWG. NO.	PART NO.	REV.
	S.C.	6-70	06200	4010244	B



MECHANICAL DISASSEMBLY
 To remove amplifier chassis from cabinet for servicing — unfasten the four screws marked "A" and extract the chassis from the rear of the cabinet.

To remove amplifier chassis from cabinet for servicing — unfasten the four screws marked "A" and unplug speaker cable from jack "B" as shown. Then extract the chassis from the rear of the cabinet.

- NOTES: UNLESS OTHERWISE SPECIFIED**
1. Capacitance values are in microfarads, 10%, 400V.
 2. Resistors are 1/2W, 10%, composition.
 3. DC voltages taken with no signal applied using a 20,000 ohm/volt voltmeter.
 4. DC voltages are positive with respect to chassis ground.
 5. * R1, R7, C1, C4 will not appear in some units.
 6. Actual circuit may vary slightly due to normal production changes.
 7. If transformer 300725-1 is used no connection is required for Violet / Orange, Green / Yellow, and Blue / Yellow leads.

WARNING
 For maximum safety, reliability and performance, all parts must be replaced by those having identical specifications. Under no circumstances may the original design be modified or altered without permission from the Ampeg Company.