

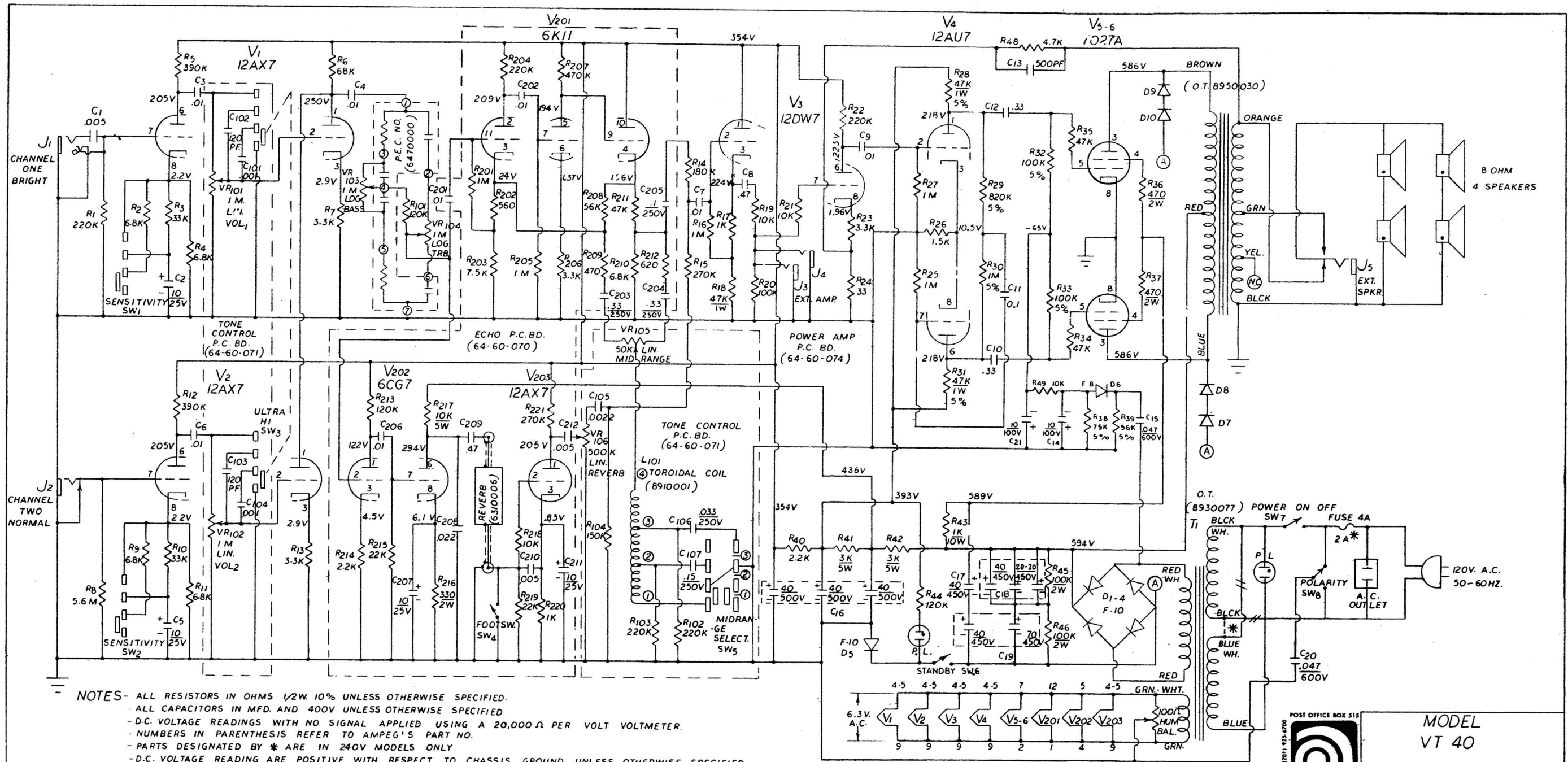
NOTES - ALL RESISTORS IN OHMS 1/2W 10% UNLESS OTHERWISE SPECIFIED.  
 ALL CAPACITORS IN MFD. AND 400V UNLESS OTHERWISE SPECIFIED.  
 -D.C. VOLTAGE READINGS WITH NO SIGNAL APPLIED USING A 20,000 Ω PER VOLT VOLTMETER.  
 -NUMBERS IN PARENTHESIS REFER TO AMPEG'S PART NO.  
 -PARTS DESIGNATED BY \* ARE IN 240V MODELS ONLY  
 -D.C. VOLTAGE READING ARE POSITIVE WITH RESPECT TO CHASSIS GROUND UNLESS OTHERWISE SPECIFIED.  
 -CIRCUIT OF CHASSIS MAY VARY SLIGHTLY FROM THAT SHOWN HERE DUE TO NORMAL PRODUCTION CHANGES.  
 -D7-10 ARE SILICON A.V. TYPE 1AMP. 400V. DIODES.  
 -THE P.T. FOR 240V MODELS HAS BLCK WIRE CONNECTED TO BLUE WH. WIRE.

POST OFFICE BOX 515  
 ampeg  
 LINDEN, NEW JERSEY 07036


MODEL  
 VT 40

U.S. PATENT PENDING

DRN. BY	DATE	DWG. NO.	PART. NO.	REV.
S. C.	4-71	06500	4010260	B



- NOTES - ALL RESISTORS IN OHMS 1/2W. 10% UNLESS OTHERWISE SPECIFIED.  
 - ALL CAPACITORS IN MFD. AND 400V UNLESS OTHERWISE SPECIFIED.  
 - D.C. VOLTAGE READINGS WITH NO SIGNAL APPLIED USING A 20,000 Ω PER VOLT VOLTMETER.  
 - NUMBERS IN PARENTHESIS REFER TO AMPEG'S PART NO.  
 - PARTS DESIGNATED BY \* ARE IN 240V MODELS ONLY  
 - D.C. VOLTAGE READINGS ARE POSITIVE WITH RESPECT TO CHASSIS GROUND UNLESS OTHERWISE SPECIFIED.  
 - CIRCUIT OF CHASSIS MAY VARY SLIGHTLY FROM THAT SHOWN HERE DUE TO NORMAL PRODUCTION CHANGES.  
 - D7-10 ARE SILICON A.V. TYPE 1AMP. 400V. DIODES.  
 - THE P.T. FOR 240V MODELS HAS BLCK WIRE CONNECTED TO BLUE WH. WIRE.

POST OFFICE BOX 515  
 AREA CODE (701) 923-9700  
  
 LINDEN, NEW JERSEY 07036

MODEL  
 VT 40

U.S. PATENT PENDING

DRN. BY	DATE	DWG. NO.	PART. NO.	REV.
S.C.	4-71	06500	4010260	B