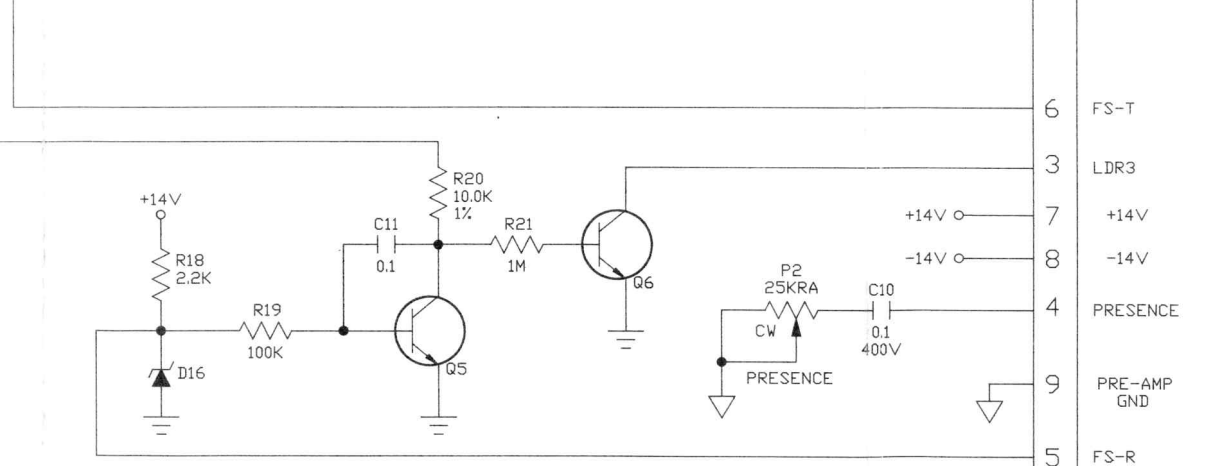
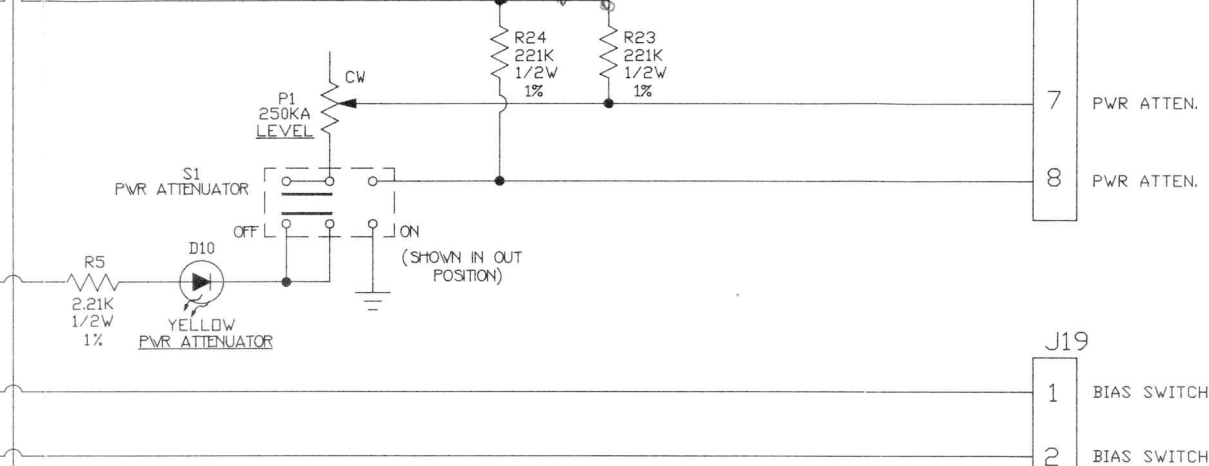
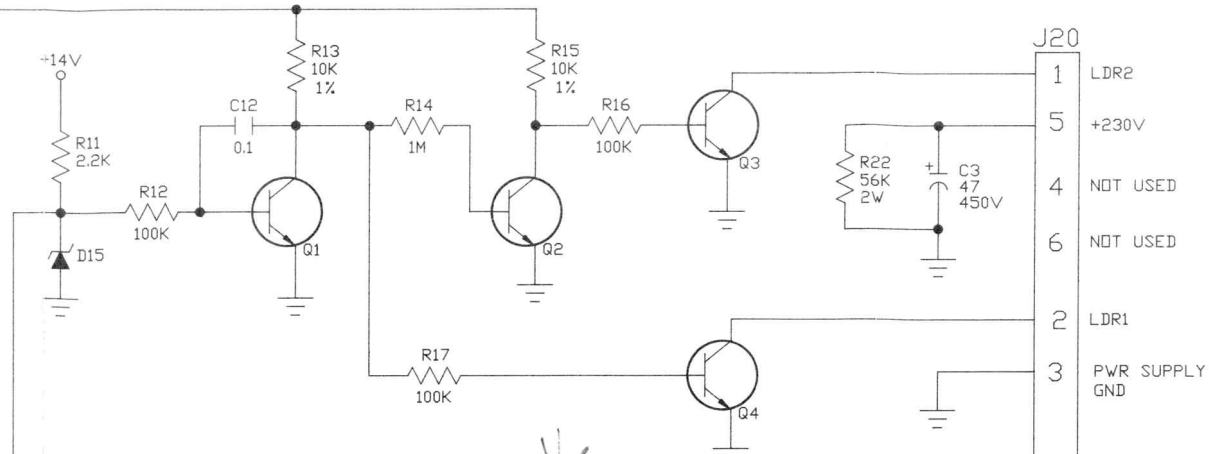


PART	DESC.	PART NO.
D1-4	IN4007	21A407-01
D5-9	IN4002	21A402-01
D10	LED YELLOW	21-503-01
D11	LED GREEN	21-502-01
D12	LED RED	21-501-01
D13, 14	1N4744	21A444-01
D15, 16	1N746	21A146-01
J1-16	.250 FASTONS	17-836-01
J18	GROUND TAB	17-500-01
J19	9 PIN HEADER	17-310-09
J20	8 PIN HEADER	17-310-08
Q1,5	2N5210 TRANS	96-510-01
Q2-4,6	MPSA13 TRANS	96-013-01
API	25K TRIM	70-253-25
P1	250KA POT	70-254-10
P2	25KRA POT	70-253-12
S1	DPDT SWT	88-301-03
PCB	PC BOARD	06A591-02



NOTES

- 1) CAUTION: SHOCK HAZARD !!! THIS UNIT CONTAINS HAZARDOUS VOLTAGE. DISCONNECT POWER AND BE SURE POWER SUPPLY IS DISCHARGED BEFORE TOUCHING INTERNAL PARTS.
- 2) UNLESS NOTED, RESISTOR VALUES IN OHMS, 1/4W-5% TOL. CAPACITOR VALUES IN MICROFARADS, 50V-10% TOL.
- 3) VOLTAGES ARE MEASURED WITH 1 MEGOHM OSCILLOSCOPE AND 10 MEGOHM DIGITAL VOLTMETER.
- 4) CIRCUIT GROUND ∇ SWITCH GROUND ∇ CHASSIS GROUND \perp

CAUTION:
THIS SCHEMATIC IS PROVIDED FOR USE BY QUALIFIED PERSONNEL. TO AVOID RISK OF ELECTRIC SHOCK, REFER SERVICING TO QUALIFIED SERVICE PERSONNEL. DO NOT PERFORM ANY SERVICING BEYOND THAT EXPLAINED IN THE OPERATING INSTRUCTIONS.

SIGNATURES:	DATE:	 11880 BORNHAY DR. ST. LOUIS, MISSOURI 63148
DRAWN: S.R.	2/22/91	
CHK'D:		PROJECT NAME:
APP'D:		VL-502/1002
ORIGINAL ISSUED:	9/11/91	DRAWING NAME:
PLOT DATE:	09/11/91	LOGIC BD. SCHEMATIC
PLOT TIME:	10:08:31	DRAWING NO. 07S591-02
FILE NAME:	07S59102	SCALE: NONE SHEET: 1 of 1