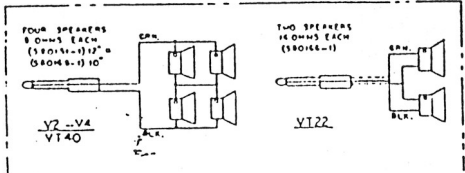


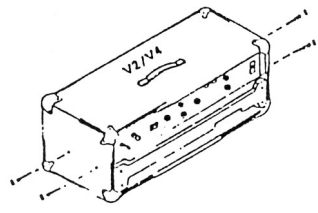
91-1815701

NOTES — UNLESS OTHERWISE SPECIFIED

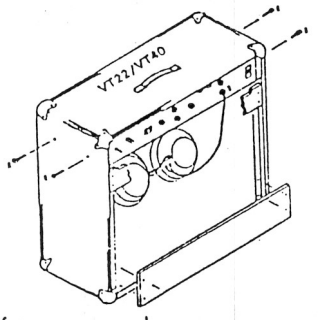
1. Capacitance values are in microfarads, 10%, 400V.
2. Resistors are 1/2W, 10%, composition.
3. D.C. voltage readings are positive with respect to chassis ground with no signal applied using a 20,000 ohm/volt voltmeter.
4. For improved performance the 7027 output tubes can be replaced with 6550 output tubes.
5. Do not operate amplifier with either optoisolator P101 or P102 removed from circuit as damage will result to remaining device.
6. Typical AC voltages are shown in boxes.
- \*7. Parts indicated with asterisk are used on V4 and VT22 models only.
8. Actual circuit may vary slightly due to normal production changes.



SERVICE TIPS	
SYMPTOM	POSSIBLE CAUSE
Hum	0.47 MFD capacitors at the screen supply Improper phasing of filament wires connect to the preamp P.C. board. Improper shielding of wire connecting the ultra hi switch to the tone P.C. board. Placement of ground wire connecting C302 to the power P.C. board. Placement of wires connecting the reverse control to the preamp P.C. board. Reverb cables improperly wired or reversed
Oscillation	Change R7 to 47K resistor. Change R32 to 4.7K resistor. Change C103 to 220 pf capacitor Change C102 to 120 pf capacitor. Placement of output transformer leads. In channel 1 only, tube shield on V1 not fully extended or improperly grounded. Lack of shielding between the input and output tubes.



DISASSEMBLY INSTRUCTIONS:  
V2/V4: To remove amplifier chassis from cabinet for servicing — unfasten the four screws marked "A" and extract the chassis from the rear of the cabinet.



VT22/VT40: To remove amplifier chassis from cabinet for servicing — unfasten the four screws marked "A" and unplug speaker cable from jack "B" as shown. Then extract the chassis from the rear of the cabinet.

NOTE 4. Sags the 6550's can be used directly(?)  
Changing R215 to a 47K (33K) or 39K may be necessary to achieve correct bias with no cross-over notch and about 1Amp to 1.25Amp of current draw.

320821-1  
Bicolor  
RED - 100 (WHITE) (old coil)  
ORANGE - 300 (CORANGE) (old)  
YELLOW - 500 (GREEN) (old)