

VT-40



AMPLIFIER DIMENSIONS AND SHIPPING WEIGHT:

24" Wide
22" High
11 1/2" Deep

Weight - 61 lbs.

AMPLIFIER PERFORMANCE

60 watts RMS (over 138 watts peak music power)

AMPLIFIER FRONT PANEL

Single channel - two inputs, each with volume control; treble, mid-range, bass, reverb controls. Sensitivity switches, ultra hi, midrange selector switch (three positions).

Power and Standby (with indicator lights) and polarity switches. Fuse Holder post for 4 amps fuse.

AMPLIFIER REAR PANEL

External speaker jack and two external amplifier jacks.

SPEAKER SYSTEM

Four (4) 10" special Ampeg design speakers

NOTE: Foot Switch is standard with VT-40

TRADE NAME	Model No. VT-40
MANUFACTURER	The Ampeg Co., Industrial Park, Linden, N. J.
TYPE SET	Audio Amplifier - One Channel - Two Inputs
TUBES	(3) 12AX7, (1) 12DW7, (1) 12AU7, (1) 6K11, (1) 6CG7, (4) 7027A.
SOLID STATE COMPONENTS	(10) Silicon Diodes
POWER SUPPLY	120v A.C. 50/60 Hz, Rating 4 Amps.
POWER OUTPUT	60 Watts RMS (2, 4 or 8 Ohms) Impedance 138 Watts Peak Music Power

REPLACEMENT PARTS FOUND ON POWER P. C. BOARD

DESCRIPTION	STOCK NO.
Power Amplifier P. C. Board Less Parts	64-60-074
Power Amplifier P. C. Board With Parts	06565010
1 Amp 800 P.I.V. Silicon Diode	64100210
1 Amp 1000 P.I.V. Silicon Diode	64100180

RESISTORS				
CRKT SYMBOL NO.	OHM	WATTS	TOLERANCE	STOCK NO.
R26	1.5k	$\frac{1}{2}$	$\pm 10\%$	59100080
R40	2.2k	$\frac{1}{2}$	$\pm 10\%$	59100100
R7, R13, R23	3.3k	$\frac{1}{2}$	$\pm 10\%$	59100120
R48	4.7k	$\frac{1}{2}$	$\pm 10\%$	59100140
R4, R11	6.8k	$\frac{1}{2}$	$\pm 10\%$	59100160
R19, R21, R49	10k	$\frac{1}{2}$	$\pm 10\%$	59100180
R3, R10	33k	$\frac{1}{2}$	$\pm 10\%$	59100240
R20	100k	$\frac{1}{2}$	$\pm 10\%$	59100260
R44	120k	$\frac{1}{2}$	$\pm 10\%$	59100280
R14	180k	$\frac{1}{2}$	$\pm 10\%$	59100300
R5, R12	390k	$\frac{1}{2}$	$\pm 10\%$	59100320
R25, R27, R16	1m	$\frac{1}{2}$	$\pm 10\%$	59100340
R28, R31, R18	47k	1	$\pm 10\%$	59100520
R39	56k	$\frac{1}{2}$	$\pm 5\%$	59100680
R22	220k	$\frac{1}{2}$	$\pm 10\%$	59100800
R15	270k	$\frac{1}{2}$	$\pm 10\%$	59100900
R17	1k	$\frac{1}{2}$	$\pm 10\%$	59101030
R24	33	$\frac{1}{2}$	$\pm 10\%$	59101250
R32, R33	100k	$\frac{1}{2}$	$\pm 5\%$	59101800
R38	68k	$\frac{1}{2}$	$\pm 5\%$	59101840
R30	1m	$\frac{1}{2}$	$\pm 5\%$	59101950
R29	820k	$\frac{1}{2}$	$\pm 5\%$	59101960
R6	68k	$\frac{1}{2}$	$\pm 10\%$	59100210

CAPACITORS

CRKT SYMBOL NO.	MFD	VOLT	TYPE	STOCK NO.
C13	.0005		Ceramic Disc	12100650
C2, C5	10	25v	Electrolytic	12400200
C14, C21	10	100v	Electrolytic	12401480
C15	.047	600v	Flat Foil	12700400
C11	.1	400v	Flat Foil	12700650
C8	.47	400v	Flat Foil	12700900
C3, C4, C6, C7, C9	.01	400v	Flat Foil	12701250
C10, C12	.33	400v	Flat Foil	12701360

POWER TRANSFORMER

RATING AT FULL POWER				STOCK NO.
PRIMARY I	PRIMARY II	SECONDARY I	SECONDARY II	
120v	120v	594 at 150 MA	6.3 at 4 Amps	89300770

AUDIO OUTPUT TRANSFORMER

IMPEDANCE		D. C. RESISTANCE		STOCK NO.
PRIMARY	SECONDARY	PRIMARY	SECONDARY	
6k P.P.	2-4-8 Ohms	300 Ohms	Yel. - 2 Ohms-.175 Ohms Grn. - 4 Ohms-.268 Ohms Org. - 8 Ohms-.418 Ohms	89500300

SPEAKER

RATING				STOCK NO.
MFG. NO.	SIZE	FIELD	V.C. IMPEDANCE	
CTS #58-10184-1	10"	P.M.	8 Ohms	69100020

VT-40

A.C. VOLTAGE READINGS

INPUT: 0.3v A.C. at 400 Hz

OUTPUT: 8.95 v at 2 Ohms 3/4 Power Output
 12.65v at 4 Ohms 3/4 Power Output
 17.9 v at 8 Ohms 3/4 Power Output

(TREBLE, BASS, MIDRANGE AND REVERB CONTROLS AT MIDDLE POSITION)

PIN NO.												
CRKT SYMBOL NO.	1	2	3	4	5	6	7	8	9	10	11	12
V1 12AX7	5.8	.5		Fil	Fil	10	.3		Fil			
V2 12AX7	5.8	.5		Fil	Fil	10	.3		Fil			
V3 12DW7		.32	.3	Fil	Fil	3.5	.28		Fil			
V4 12AU7	38	3.4		Fil	Fil	38	3.4		Fil			
V5 7027A		Fil	250		38		Fil					
V6 7027A		Fil	250		38		Fil					
V201 6K11	Fil	.1	.5	5	5.2		.1		5.2		.47	Fil
V202 6CG7	4.2	.48		Fil	Fil	2.3	2					
V203 12AX7				Fil	Fil							

NOTE: THESE READINGS WERE TAKEN WITH A 10M INPUT IMP VTVM

TUBES			
CRKT SYMBOL NO.	TUBE	USE	STOCK NO.
V1	12AX7	Preamplifier Channel One	93700000
V2	12AX7	Preamplifier Channel Two	93700000
V3	12DW7	Driver	93700020
V4	12AU7	Phase Inverter	93700420
V5, V6	7027A	Power Output	93400250
V201	6K11	Midrange	93700520
V202	6CG7	Echo Reverb Driver	93700150
V203	12AX7	Reverb Amp.	93700000

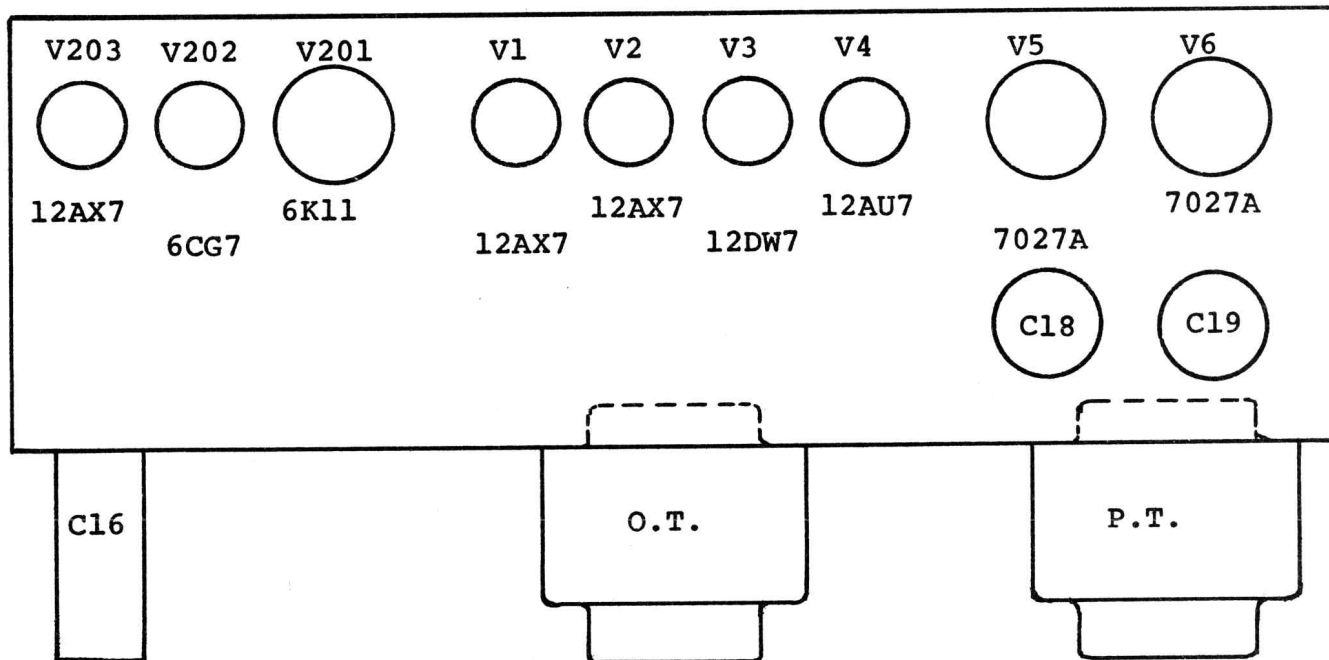
MISCELLANEOUS ELECTRONIC PARTS

CRKT SYMBOL NO.	DESCRIPTION	STOCK NO.
C1	.005 mfd Ceramic Disc Capacitor	12100800
C19	70-40-40 mfd/450v Electrolytic Capacitor	12400060
C16	40-40-40 mfd/500v Electrolytic Capacitor	12400070
C17	20-20 mfd/450v Electrolytic Capacitor	12400800
C18	40-40-40 mfd/450v Electrolytic Capacitor	12400900
C20	.047 mfd/600v Mold Capacitor	12701390
UR1	Hum Control 100 Ohm W.W.	24101070
SW1, SW2, SW3, SW5	DP3T Rocker Switch	24300800
SW7, SW6	Power & Standby Switch S.P.S.T.	24300890
SW8	Polarity Switch S.P.D.T.	24300910
SW4	Foot Switch	24300200
	Fuse Holder	38240290
	Fuse MTH 4 Amps	38240040
J3, J4	Jack #2S-1663	38300030
J2	Jack #12A	38300060
J5	Jack #13A	38300120
J1	Jack #13E	38300290
	Pilot Light (Red)	38450280
	Pilot Light (Amber)	38450290
R2, R9	6.8k \pm 10% $\frac{1}{2}$ w Resistor (Carbon)	59100160
R45, R46	100k \pm 10% 2w Resistor (Carbon)	59100170
R1	220k \pm 10% $\frac{1}{2}$ w Resistor (Carbon)	59100800
R8	5.6m \pm 10% $\frac{1}{2}$ w Resistor (Carbon)	59100940
R35, R34	47k \pm 10% $\frac{1}{2}$ w Resistor (Carbon)	59101510
R36, R37	470 Ohm \pm 10% 2w Resistor (Carbon)	59101600
R43	1k \pm 10% 10w Resistor (W.W.)	59300150
R41, R42	3k \pm 10% 10w Resistor (W.W.)	59300240
D7, D8, D9, D10	1 Amp 1400 P.I.V. Silicon Diode	64100240
	Reverb Unit Type 4C	63100060
	A.C. Line Cord	97200000
	9 Pin Socket P.C. Type	38630320
	8 Pin Socket	38630210

MISCELLANEOUS NON-ELECTRONIC PARTS

DESCRIPTION	STOCK NO.
Black Knob	38150260
Corner (2 Tab)	38180020
Corner (3 Tab)	38180030
Handle	38270130
Overlay Panel	38420690
Strain Relief (6W1)	38780020
Strain Relief (4K4)	38780050
Logo	40300070

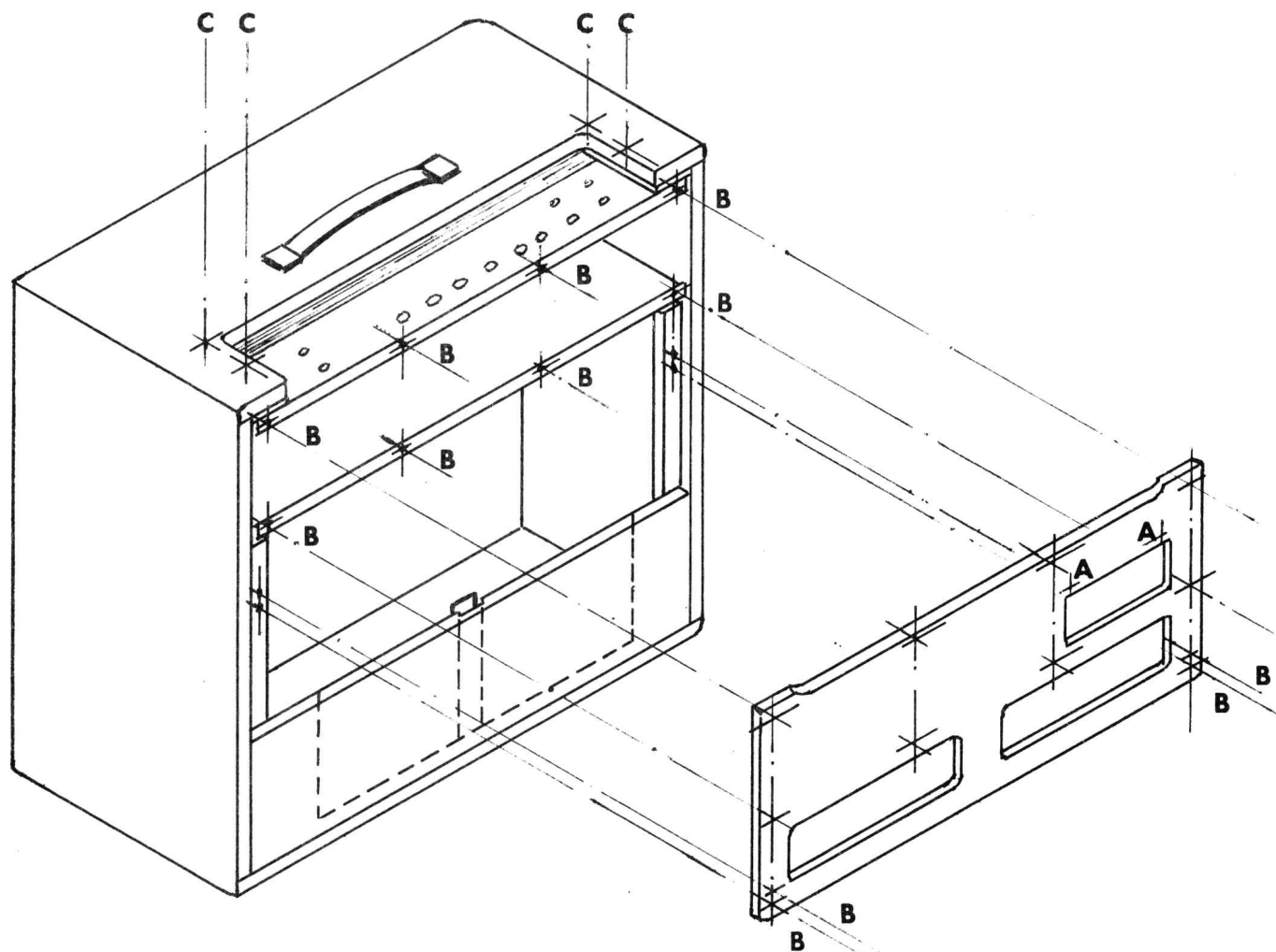
CHASSIS LAYOUT TUBE LOCATION



MECHANICAL DISASSEMBLY

TO REMOVE CHASSIS FROM CABINET FOR SERVICING FOLLOW STEPS -

- 1) UNFASTEN TWO SCREWS MARKED "A" AND ALL SCREWS MARKED "B", REMOVE REAR COVER.
- 2) UNPLUG REVERB LEADS FROM REVERB UNIT (AT THE BOTTOM OF CABINET) AND DISCONNECT SPEAKER LEADS.
- 3) NOW HOLD CHASSIS FROM FALLING DOWN WHILE UNFASTENING FOUR SCREWS MARKED "C". PULL CHASSIS OUT GENTLY NOT TO TEAR VINYL COVER FROM CABINET.



NOTES:

- 1) FOR COMPONENTS FOUND ON ECHO P. C. BOARD 64-60-070 - REFER TO MODEL VT-22 AND V-4, PAGES 152, 153.
- 2) FOR COMPONENTS FOUND ON TONE CONTROL P. C. BOARD 64-60-071 - REFER TO MODEL VT-22 AND V-4, PAGES 151, 152.
- 3) FOR PICTORIAL VIEWS OF ECHO P. C. BOARD 64-60-070 - REFER TO MODEL VT-22 AND V-4, PAGE 158.
- 4) FOR PICTORIAL VIEWS OF TONE CONTROL P. C. BOARD 64-60-071 - REFER TO MODEL VT-22 AND V-4, PAGE 159.

NOTES:

1. FOR LIST OF COMPONENTS FOUND ON POWER P.C. BOARD, #64-60-0690, REFER TO MODELS VT-22/V-4, PAGES 150 AND 151; AND, ALSO TO MODEL V-4B, PAGES 214 AND 215.
2. FOR PICTORIAL VIEW OF POWER P.C. BOARD, #64-60-0690, REFER TO MODEL V-4B, PAGE 222.
3. FOR LIST OF COMPONENTS FOUND ON ECHO P.C. BOARD, #64-60-0700, REFER TO MODELS VT-22/V-4, PAGES 152 AND 153.
4. FOR PICTORIAL VIEW OF ECHO P.C. BOARD, #64-60-0700, REFER TO MODELS VT-22/V-4, PAGE 158.
5. FOR LIST OF COMPONENTS FOUND ON TONE CONTROL P.C. BOARD, #64-60-0710, REFER TO MODELS VT-22/V-4, PAGES 151 AND 152.
6. FOR PICTORIAL VIEW OF TONE CONTROL P.C. BOARD, #64-60-0710, REFER TO MODELS VT-22/V-4, PAGE 159.
7. FOR SPECS OF POWER TRANSFORMER, #89300770, REFER TO MODEL VT-40, PAGE 197.
8. FOR SPECS OF AUDIO OUTPUT TRANSFORMER, #89500310, REFER TO MODEL VT-40, PAGE 197. (SAME AS #89500300)
9. FOR LIST OF MISCELLANEOUS PARTS, REFER TO MODEL V-4, PAGES 155 AND 156.
10. FOR INSTRUCTIONS OF MECHANICAL DISASSEMBLY, REFER TO MODEL V-4, PAGE 157.
11. FOR TUBE LOCATION CHART AND CHASSIS LAYOUT, REFER TO MODELS VT-22/V-4, PAGE 157.
12. FOR A.C. VOLTAGE READING, REFER TO MODEL VT-40, PAGE 198.

