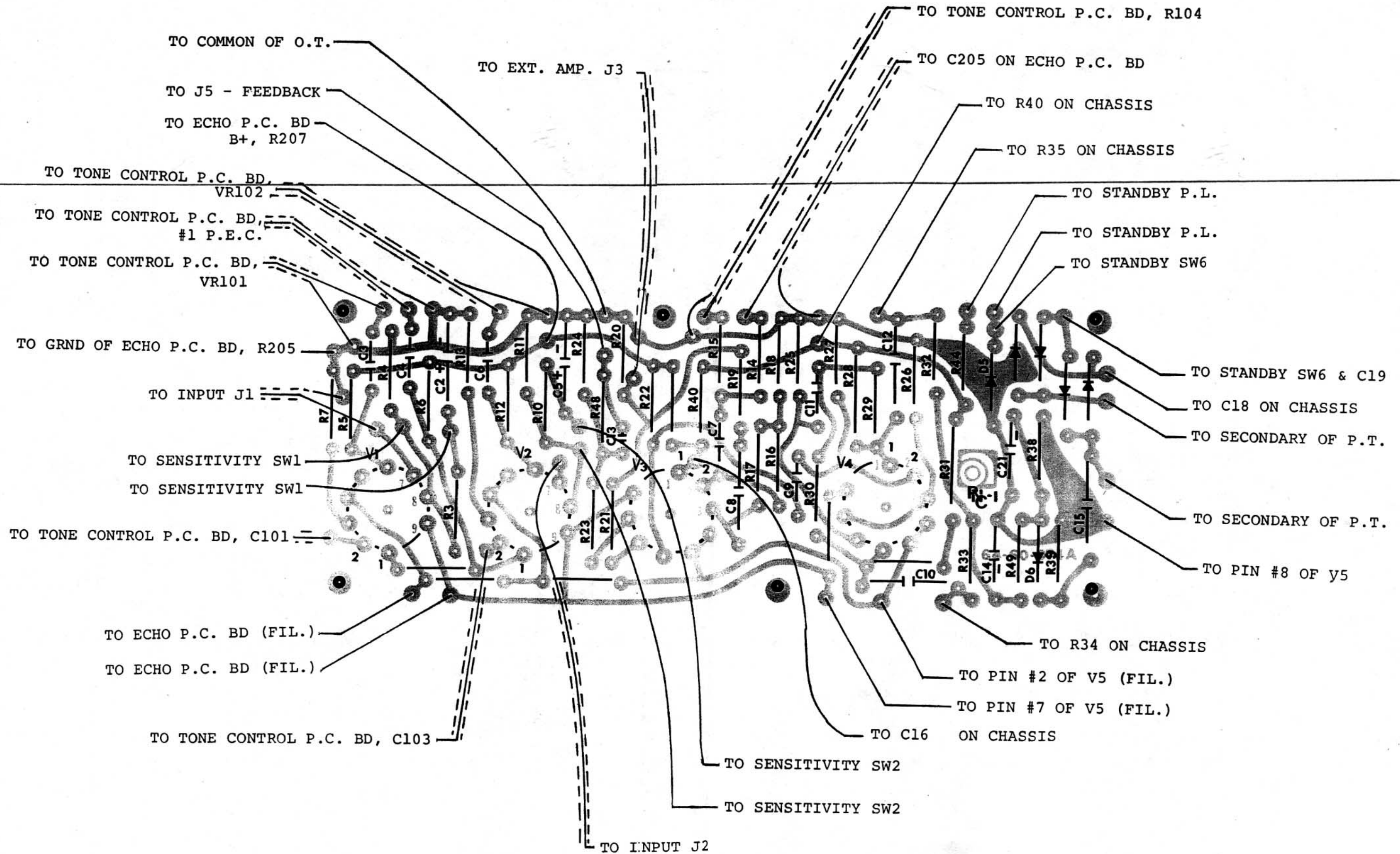
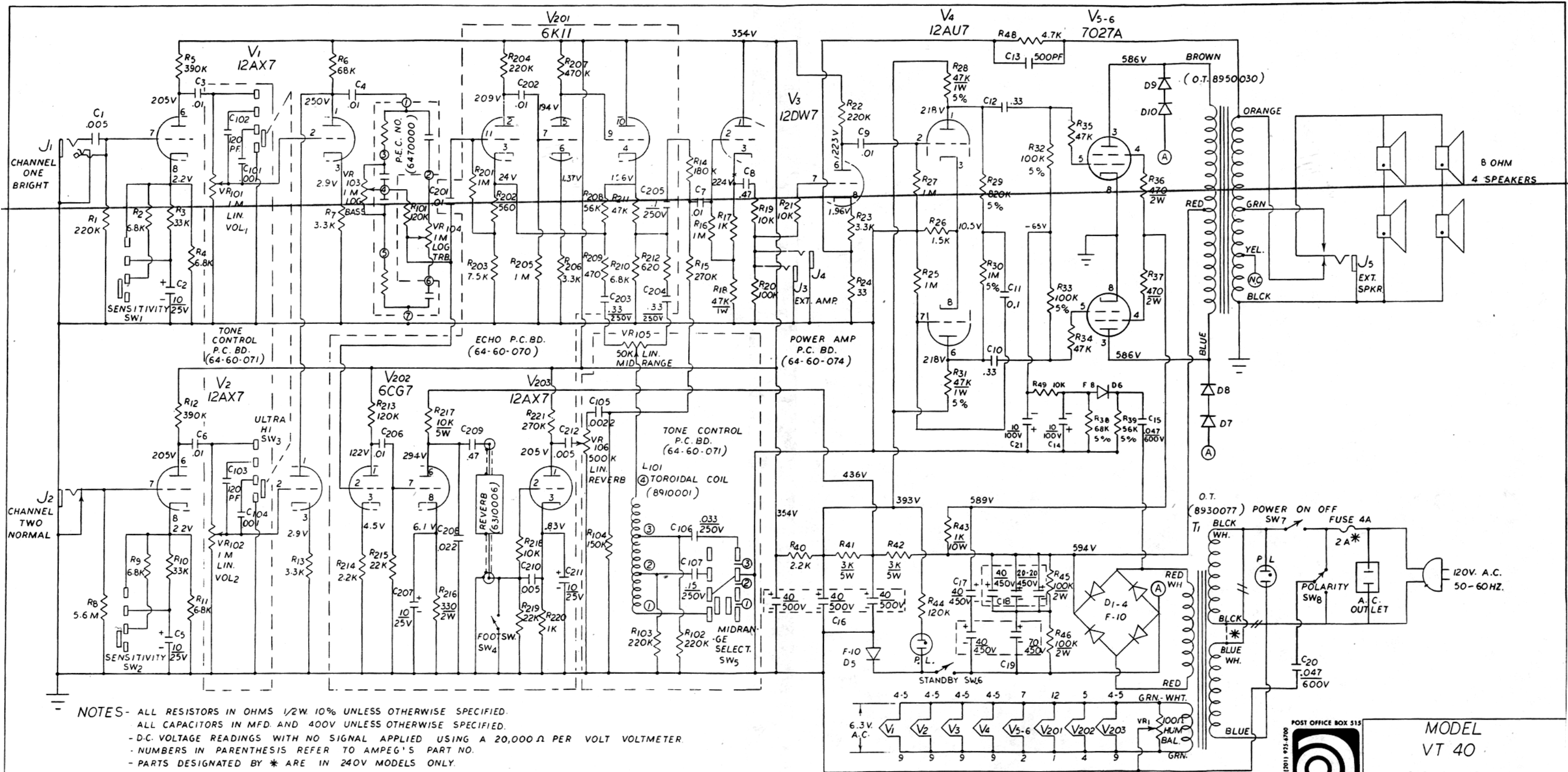
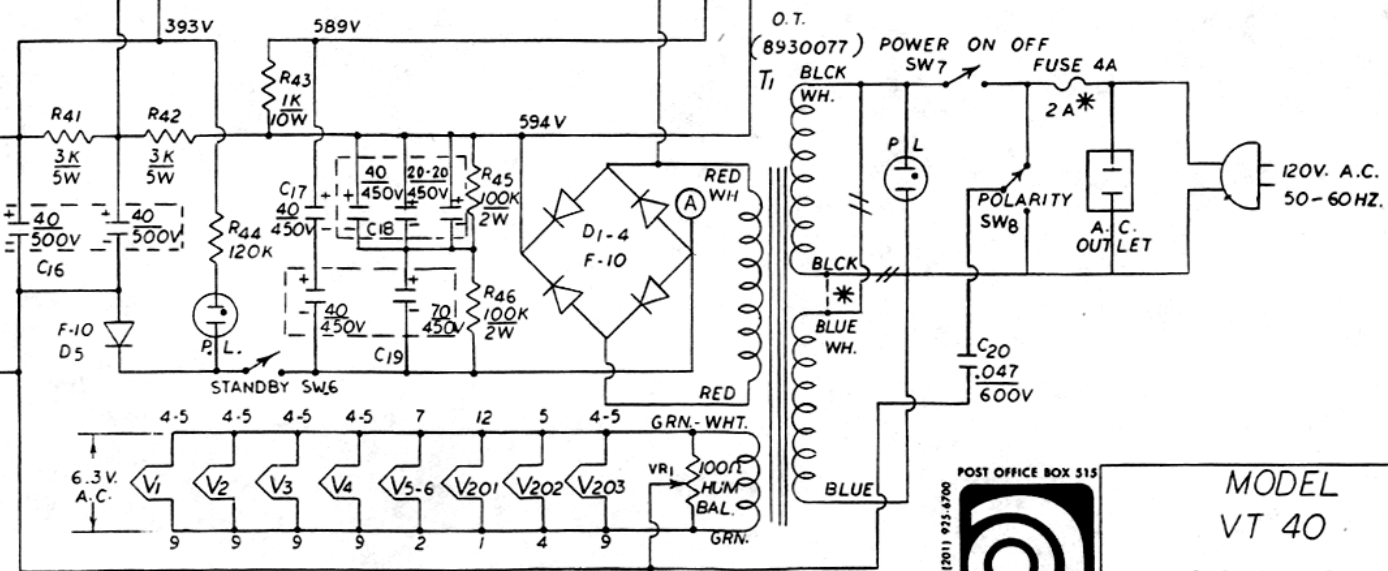



PICTORIAL VIEW OF POWER P.C. BD OF  
VT-40 (Copper Side)





- NOTES - ALL RESISTORS IN OHMS 1/2W. 10% UNLESS OTHERWISE SPECIFIED.  
 - ALL CAPACITORS IN MFD. AND 400V UNLESS OTHERWISE SPECIFIED.  
 - D.C. VOLTAGE READINGS WITH NO SIGNAL APPLIED USING A 20,000 Ω PER VOLT VOLTMETER.  
 - NUMBERS IN PARENTHESIS REFER TO AMPEG'S PART NO.  
 - PARTS DESIGNATED BY \* ARE IN 240V MODELS ONLY.  
 - D.C. VOLTAGE READING ARE POSITIVE WITH RESPECT TO CHASSIS GROUND UNLESS OTHERWISE SPECIFIED.  
 - CIRCUIT OF CHASSIS MAY VARY SLIGHTLY FROM THAT SHOWN HERE DUE TO NORMAL PRODUCTION CHANGES.  
 - D7-10 ARE SILICON A.V. TYPE 1AMP 1400V. DIODES.  
 - THE P.T. FOR 240V MODELS HAS BLCK WIRE CONNECTED TO BLUE WH. WIRE.



POST OFFICE BOX 515  
 AREA CODE (201) 973-9796  
  
 LINDEN, NEW JERSEY 07036

MODEL  
 VT 40

U.S. PATENT PENDING

DRN. BY	DATE	DWG. NO.	PART. NO.	REV.
S.C.	4-71	06500	4010260	B