



BXT Series

Bass Cabinets



BXT-410HL

BXT-115HL



Your Ampeg BXT Series Bass enclosures are high-quality two-way speaker cabinets suitable for all sizes of venues.

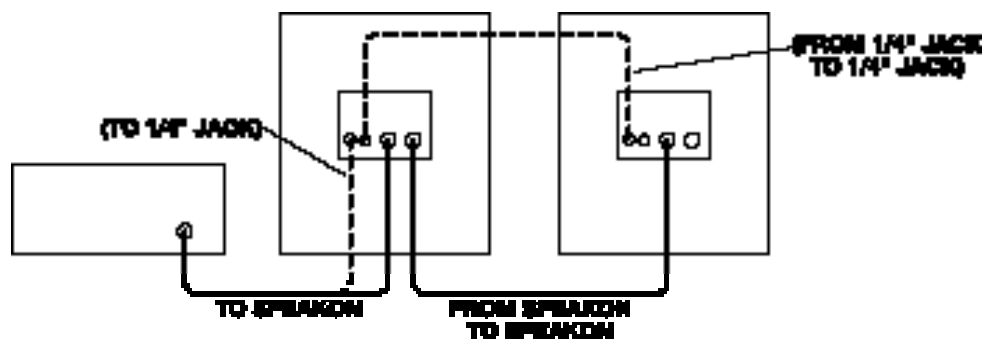
The cabinets are constructed of 13-ply Baltic Birch and feature heavy duty recessed handles, heavy duty metal grilles and stacking corners for use in multiple cabinet arrays. A retractable tilt-back stand underneath the cabinet allows you to tilt the cabinet back for enhanced coverage (see the bottom of the facing page). The jackplate provides the input/output connections and an attenuator for setting the level of the high frequency driver.

The Speakon® and 1/4" jacks are wired in parallel, allowing easy daisy chaining from one speaker to another. Each of the jacks may be used as an input or a through connection.

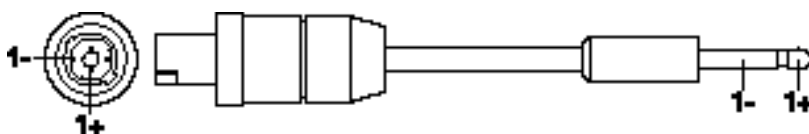
Speakon® connectors are recognized as the standard for professional installations, assuring a secure, permanent connection that won't corrode, vibrate loose or be easily tampered with. The 1/4" jacks are convenient. However, the Speakon® jacks are recommended when using power amplifiers over 150 watts, for permanent installations, or for the "first" speaker among a number of daisy chained speakers.

BXT cabinets are available in 4 ohm and 8 ohm models. Always make sure to match the impedance of your cabinet(s) to the amplifier(s) powering them. (A mismatch between an amplifier's rated output impedance and the input impedance of a speaker cabinet can cause poor sound, overheating and possible component damage.)

Suggested Hookup Diagram:



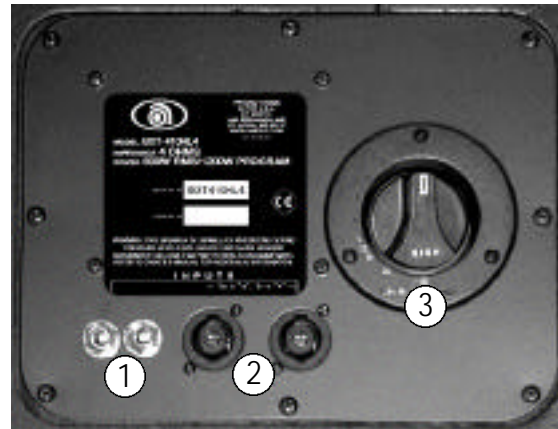
Speakon® to 1/4" Wiring Diagram:





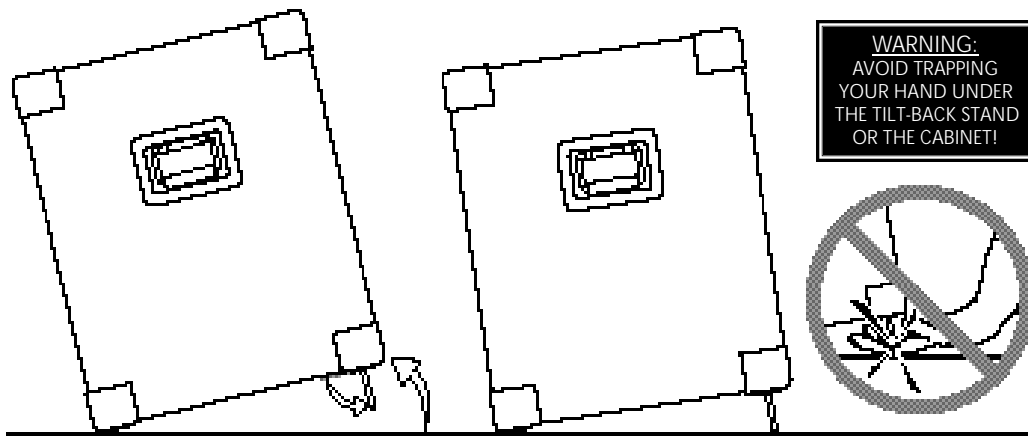
The BXT Series Jackplate:

- 1: 1/4" Input/Output Jacks
- 2: Speakon® Input/Output Jacks
- 3: High Frequency Horn Level Control

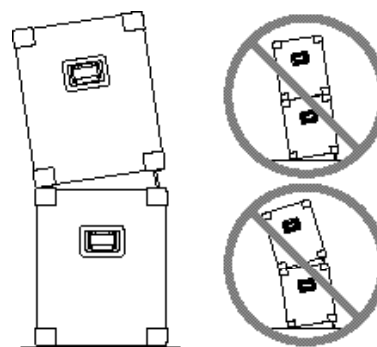


Using the Tilt Back Stand:

The BXT Series enclosures feature a spring-loaded metal tilt-back stand mounted near the front edge on the bottom of the enclosure. To use the tilt-back stand, lean the cabinet back several inches, then reach under and pull the far end of the stand downward and towards the front of the cabinet. While holding the stand in this position, carefully lower the front of the cabinet towards the floor until the weight of the cabinet rests on the stand. (The stand will spring back to the retracted position when the cabinet is leaned further back or picked up.)



NOTE: When using the BXT cabinets in a "stacked" arrangement, only the top cabinet should be tilted back!



AMPEG BXT Series Bass Cabinets

TECHNICAL SPECIFICATIONS:

	BXE-115HL4 / 8	BXE-410HL4 / 8
TYPE	1x15 Bass Enclosure	4x10 Bass Enclosure
FREQ RESPONSE (+/-3dB)	42Hz – 18kHz	45Hz – 18kHz
USABLE LOW FREQ (-10dB)	37Hz	35Hz
RMS POWER HANDLING	300 watts	600 watts
PEAK POWER HANDLING	600 watts	1200 watts
IMPEDANCE	4 and 8 ohms*	4 and 8 ohms*
SENSITIVITY	99dB SPL 1w/1m	99dB SPL 1w/1m
MAXIMUM SPL	125dB	127dB
COMPONENTS	1 heavy duty 15" cast frame speaker, 4" voice coil, 109 oz magnet 1 hf horn/driver	4 heavy duty 10" cast frame speakers, 2.5" voice coil, 56 oz magnet 1 hf horn/driver
DIMENSIONS (H x W x D)	23" x 26" x 19"	26" x 26" x 19"
WEIGHT	105 lbs.	122 lbs.

The BXE-115HL4 and BXE-410HL4 are 4 ohm cabinets; the BXE-115HL8 and BXE-410HL8 are 8 ohm cabinets

CAUTION: THIS SPEAKER IS CAPABLE OF PRODUCING HIGH SOUND PRESSURE LEVELS. CONTINUED EXPOSURE TO HIGH SOUND PRESSURE LEVELS CAN CAUSE PERMANENT HEARING IMPAIRMENT OR LOSS. USER CAUTION IS ADVISED, AND EAR PROTECTION RECOMMENDED IF UNIT IS OPERATED AT HIGH VOLUME.

Ampeg continually develops new products, as well as improves existing ones. For this reason, the specifications and information in this manual are subject to change without notice.

Ampeg – The Power of Bass



www.ampeg.com

Made with Pride in the U.S.A. by Ampeg

©2001 AMPEG, 1400 Ferguson Avenue, St. Louis, MO 63133 U.S.A.

47-341-01 • 02/01