



PR-810H

Dual 4x10/8x10
Bass Cabinet



 **Ampeg PR-810H Dual Bass Cabinet**

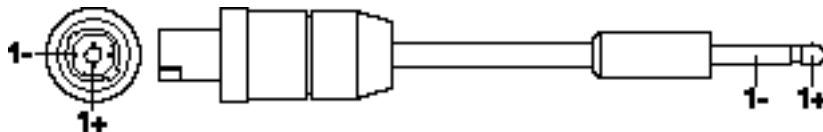
Your Ampeg PR-810H Dual Bass Cabinet is built from the finest materials and components available. The cabinet is carefully constructed from 13-ply Baltic Birch. The cabinet is then loaded with heavy duty custom designed cast frame speakers. The PR810H is "split" into two isolated 8 ohm, 4x10 cabinets. Each cabinet may be driven by a separate amplifier, or they may be connected externally via the jack-plates to create a single 4 ohm, 8x10 cabinet that may be powered by a single amplifier.

The cabinet also features integrated handles, an industrial strength grip bar, and heavy duty recessed wheels. Skid rails are placed on the back of the enclosure to protect it while loading in and out of venues. (Place a foot against one of the rails when tilting the cabinet back to roll it.)

The Speakon® and 1/4" jacks are wired in parallel, allowing easy daisy chaining from one speaker to another. Each of the jacks may be used as an input or a through connection.

Speakon® connectors are recognized as the standard for professional installations, assuring a secure, permanent connection that won't corrode, vibrate loose or be easily tampered with. The 1/4" jacks are convenient. However, the Speakon® jacks are recommended when using power amplifiers over 150 watts, for permanent installations, or for the "first" speaker among a number of daisy chained speakers.

Speakon® to 1/4" Wiring Diagram:



 **Ampeg PR-810H Dual Bass Cabinet**

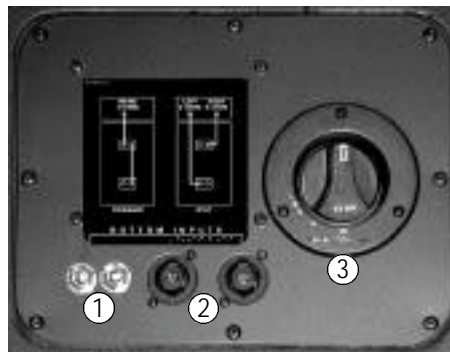
Upper Section Jackplate:



1: 1/4" Input/
Output Jacks

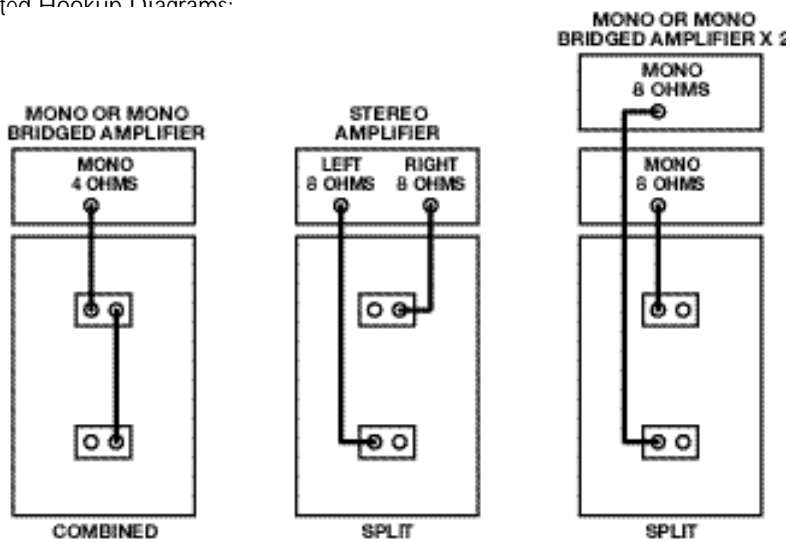
2: Speakon® Input/
Output Jacks

Lower Section Jackplate:



3: High Frequency
Horn Level
Control

Suggested Hookup Diagrams:



AMPEG PR-810H

Dual Bass Cabinet

TECHNICAL SPECIFICATIONS:

TYPE	8x10 2-way Bass Enclosure
FREQ RESPONSE (+/-3dB)	58Hz – 18kHz
USABLE LOW FREQ (-10dB)	33Hz
RMS POWER HANDLING	Combined: 1200 watts 8x10 Split: 600 watts each 4x10
PEAK POWER HANDLING	Combined: 2400 watts 8x10 Split: 1200 watts each 4x10
IMPEDANCE	Combined: 4 ohms 8x10 Split: 8 ohms each 4x10
SENSITIVITY	Combined: 100dB SPL 1w/1m
MAXIMUM SPL	131dB
COMPONENTS	8 Custom Designed 150 watt 10" speakers 2 high frequency horns
DIMENSIONS (H x W x D)	48" x 26" x 19"
WEIGHT	212 lbs.

Speakon® is a registered TM of Neutrik AG

CAUTION: THIS SPEAKER IS CAPABLE OF PRODUCING HIGH SOUND PRESSURE LEVELS. CONTINUED EXPOSURE TO HIGH SOUND PRESSURE LEVELS CAN CAUSE PERMANENT HEARING IMPAIRMENT OR LOSS. USER CAUTION IS ADVISED, AND EAR PROTECTION RECOMMENDED IF UNIT IS OPERATED AT HIGH VOLUME.

Ampeg continually develops new products, as well as improves existing ones. For this reason, the specifications and information in this manual are subject to change without notice.

Ampeg – The Power of Bass



www.ampeg.com

Made with Pride in the U.S.A. by Ampeg

©2001 AMPEG, 1400 Ferguson Avenue, St. Louis, MO 63133 U.S.A.

47-097-01 • 01/01

