

# OPERATIONS GUIDE

## For the 2-12 and 4-12 Speaker Cabinets

**WARNING:** To avoid damage to your amplifier, always be sure its output impedance matches the total impedance of your speaker cabinets!

Please check that the power rating of your cabinet(s) is equal to, or exceeds the output power rating of your amplifier!

Please refer to the illustrations inside.

### Mono Operation:

Using an amplifier which can operate at 4 or 8 ohms:

- **ONE CABINET:** (Refer to Example 1)  
Set amp impedance to **4 ohms**, cabinet to **4 ohms mono**. Connect amp out to cabinet's **Mono In** jack.
- **TWO CABINETS:** (Refer to Example 2)  
Set amp impedance to **8 ohms**, cabinet to **16 ohms mono**. Connect amp out to cabinet 1's **Mono In** jack, cabinet 1's **Out** jack to cabinet 2's **Mono In** jack.
- **FOUR CABINETS:** (Refer to Example 3)  
Set amp impedance to **4 ohms**, cabinets to **16 ohms mono**. Connect amp out to cabinet 1's **Mono In** jack, cabinet 1's **Out** jack to cabinet 2's **Mono In** jack, cabinet 2's **Out** jack to cabinet 3's **Mono In** jack, and cabinet 3's **Out** jack to cabinet 4's **Mono In** jack. (Gotta *waryna*: This can get **really loud!**)

### Stereo Operation:

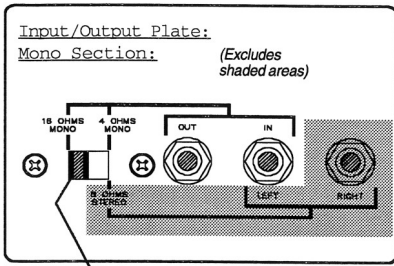
Using an amplifier which can operate at 4 or 8 ohms:

- **ONE CABINET:** (Refer to Example 4)  
Set amp impedance to **8 ohms**, cabinet to **8 ohms stereo**. Connect amp *left* channel out to cabinet's **Left Stereo In** jack, amp *right* channel out to cabinet's **Right Stereo In** jack. The driver(s) on the left side of the cabinet will reproduce only the left channel information, the right side driver(s) will reproduce only the right channel.
- **TWO CABINETS, STACKED:** (Refer to Example 5)  
Set amp impedance to **4 ohms**, cabinets to **8 ohms stereo**. Connect amp *left* channel outs to cabinets' **Left Stereo In** jacks, amp *right* channel outs to cabinets' **Right Stereo In** jacks. The drivers on the left side of the cabinets will reproduce only the left channel information, the right side drivers will reproduce only the right channel. If your amplifier has only one output jack for each channel use a mono Y-adaptor in each jack to feed both cabinets.

- **TWO CABINETS, SPLIT:** (Refer to Example 6)  
Set amp impedance to **4 ohms**, cabinets to **4 ohms mono**. Connect amp *left* channel out to the left side cabinet's **Mono In** jack, amp *right* channel out to the right side cabinet's **Mono In** jack. Placing one cabinet on each side of the stage produces a very pronounced stereo effect.
- **FOUR CABINETS, STACKED AND SPLIT:** (Refer to Example 7)  
Set amp impedance to **8 ohms**, cabinets to **16 ohms mono**. Connect amp *left* channel out to the left side top cabinet's **Mono In** jack, top left cabinet's **Out** jack to the left side bottom cabinet's **Mono In** jack. Connect amp *right* channel out to the right side top cabinet's **Mono In** jack, top right cabinet's **Out** jack to the right side bottom cabinet's **Mono In** jack. Placing one stack on each side of the stage produces a very pronounced stereo effect.



Mono Operation:

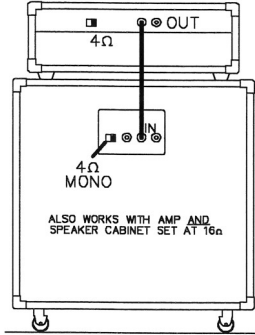


IMPEDANCE SELECTOR NOTCH-SETTING INDICATOR

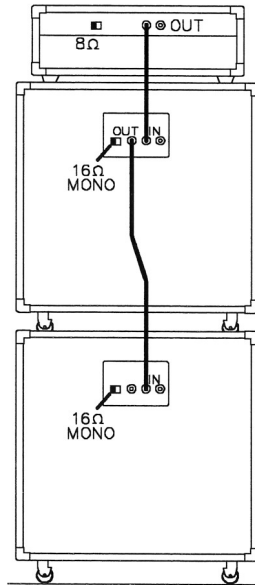
**WARNING:** To avoid damage to your amplifier, always be sure its output impedance matches the total impedance of your speaker cabinets!

Please check that the power rating of your cabinet(s) is equal to or exceeds the output power rating of your amplifier!

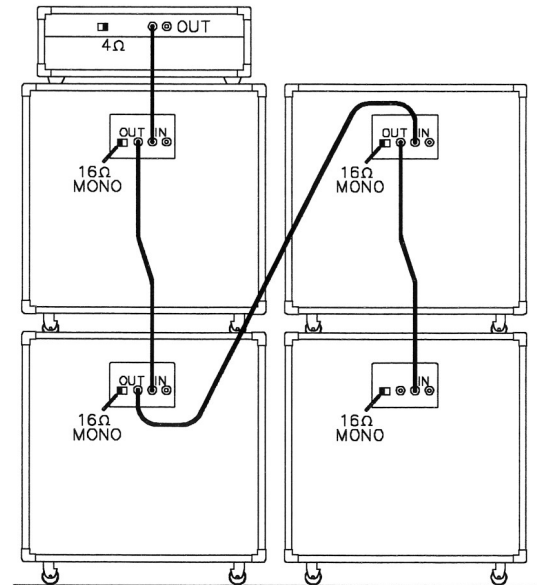
**Example 1:**  
Mono, 1 cabinet:



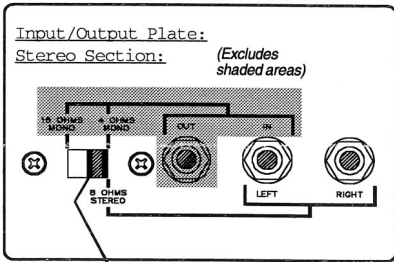
**Example 2:**  
Mono, 2 cabinets:



**Example 3:**  
Mono, 4 cabinets:



Stereo Operation:

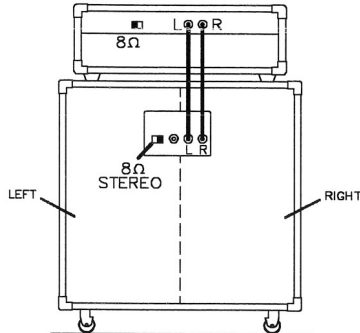


IMPEDANCE SELECTOR NOTCH-SETTING INDICATOR

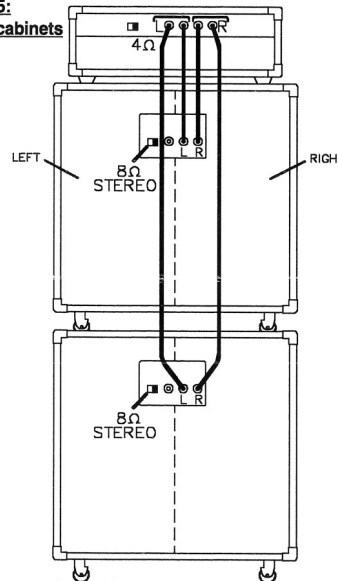
**WARNING:** To avoid damage to your amplifier, always be sure its output impedance matches the total impedance of your speaker cabinets!

Please check that the power rating of your cabinet(s) is equal to or exceeds the output power rating of your amplifier!

**Example 4:**  
Stereo, 1 cabinet:

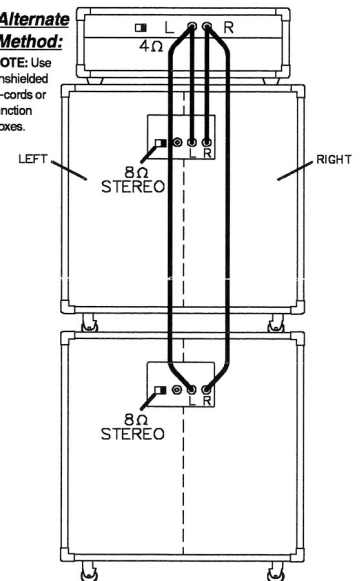


**Example 5:**  
Stereo, 2 cabinets stacked:

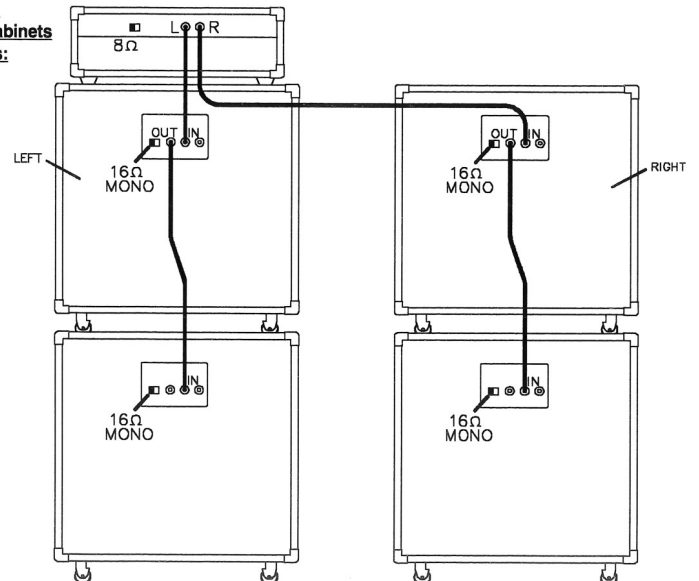


**Alternate Method:**

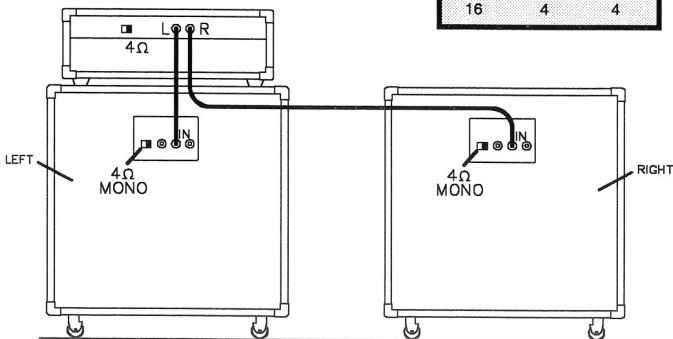
NOTE: Use unshielded Y-cords or junction boxes.



**Example 7:**  
Stereo, 4 cabinets split stacks:



**Example 6:**  
Stereo, 2 cabinets:



IMPEDANCE CHART		
CAB IMP.	# OF CABS	TOTAL IMP.
4	1	4
8	1	8
8	2	4
16	1	16
16	2	8
16	4	4

**CRATE**



*SLM Electronics*



SLM ELECTRONICS • A division of St. Louis Music, Inc. • 1400 Ferguson Avenue • St. Louis, MO 63133

P/N 47-561-02