

- NOTES:
- THIS UNIT CONTAINS HAZARDOUS VOLTAGE. DISCONNECT POWER AND BE SURE POWER SUPPLY IS DISCHARGED BEFORE TOUCHING INTERNAL PARTS.
 - UNLESS NOTED, RESISTOR VALUES IN OHMS, 1/4W-5% TOL. CAPACITOR VALUES IN MICROFARADS, 50V-10% TOL.
 - VOLTAGES ARE MEASURED WITH 1 MEGOHM OSCILLOSCOPE AND 10 MEGOHM DIGITAL VOLTMETER.
 - BLU/WHT PRI. XFMR LEAD NOT USED ON 94-291-30. THE 94-291-30 WAS NOT CAPABLE OF 240V. FOR THE 94-291-30 USE THE BLK LEAD WIRE FOR 230V. J24 NOT ON ALL VERSIONS.

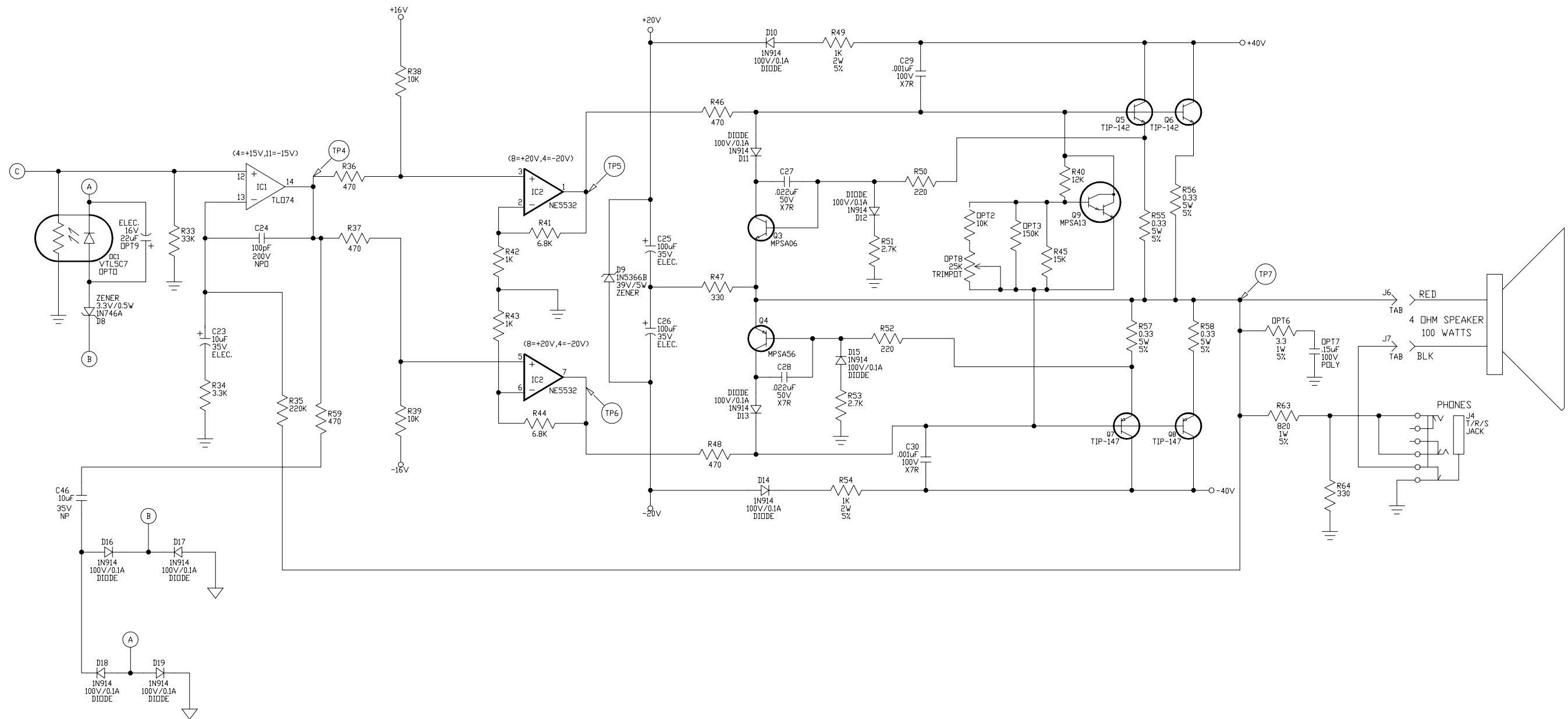
CAUTION:
THIS SCHEMATIC IS PROVIDED FOR USE BY QUALIFIED PERSONNEL TO AVOID RISK OF ELECTRIC SHOCK, REFER SERVICING TO QUALIFIED SERVICE PERSONNEL. DO NOT PERFORM ANY SERVICING BEYOND THAT EXPLAINED IN THE OPERATING INSTRUCTIONS.

REV	DATE	BY	CHK'D	DESCRIPTION
6	1-15-98	RLB		OPT8 WAS AP1 CHANGE PER E970676, E980031, E980361
5	01/05/98	SWR		SILKSCREEN CHANGED. SCHEMATIC NOT AFFECTED. PER ENG. REQUEST.
4	11/12/97	MAG		CHG'D 30-440-06 TO 30-440-02 PER ECO #970543.
3	10/22/97	SWR		ADDED TAB J24. PER ECO #970445. CHANGED FUSE INFO EXPORTS ONLY
2	06/27/97	REM		FC1, FC2 TO -02 PER E970061.
1	01/25/96	REM		MOVED C31, 32, J11, J14-17, J22-23 FOR SPACING.

SIGNATURES:		DATE:	
DRAWN: MAG		09/23/97	
CHK'D:			
APP'D:			
ORIGINAL ISSUED:			
PLOT DATE:	10/06/98	DRAWING NAME: B-100R	
PLOT TIME:	13:54:41	DRAWING NO. 07S243-01	REV 6_
FILE NAME:	24301H6_	SCALE: NTS	SHEET: 1 OF 2

1980 BORMAN DR. ST. LOUIS, MISSOURI 63168

© COPYRIGHT SLM ELECTRONICS



- NOTES:
- 1) THIS UNIT CONTAINS HAZARDOUS VOLTAGE. DISCONNECT POWER AND BE SURE POWER SUPPLY IS DISCHARGED BEFORE TOUCHING INTERNAL PARTS.
 - 2) UNLESS NOTED, RESISTOR VALUES IN OHMS, 1/4W-5% TOL. CAPACITOR VALUES IN MICROFARADS, 50V-10% TOL.
 - 3) VOLTAGES ARE MEASURED WITH 1 MEGOHM OSCILLOSCOPE AND 10 MEGOHM DIGITAL VOLTMETER.

CAUTION:
THIS SCHEMATIC IS PROVIDED FOR USE BY QUALIFIED PERSONNEL. TO AVOID RISK OF ELECTRIC SHOCK, REFER SERVICING TO QUALIFIED SERVICE PERSONNEL. DO NOT PERFORM ANY SERVICING BEYOND THAT EXPLAINED IN THE OPERATING INSTRUCTIONS.

TEST POINT CHART

TEST POINT	SIGNAL Vp-p
TP1	1.5 @ 0VDC
TP2	2.0 @ 0VDC
TP3	0.45 @ 0VDC
TP4	5.5 @ 0VDC
TP5	45 @ 6VDC
TP6	40 @ -6VDC
TP7	40 @ 0VDC

20mVRMS, 1KHz INPUT
GAIN, MASTER @ 10, TONES @ 5
4 Ohm LOAD.

AT TURN-ON, VOLTAGE ACROSS R55, R56, R57, AND R58 IS BETWEEN 1 AND 10mVDC WITH 100mV INPUT, OUTPUT IS 18VRMS @ LESS THAN 2% THD.

SEE SHEET 1 OF 2 FOR REVISION HISTORY

SIGNATURES:		DATE:	1880 BORMAN DR. ST. LOUIS, MISSOURI 63148	
DRAWN:	MAG	09/23/97	PROJECT NAME: B-100R	
CHK'D:			DRAWING NAME: SCHEMATIC	
APP'D:			PLOT DATE:	10/06/98
ORIGINAL ISSUED:			PLOT TIME:	13:54:41
			FILE NAME:	24301H6_
			SCALE:	NTS SHEET: 2 OF 2