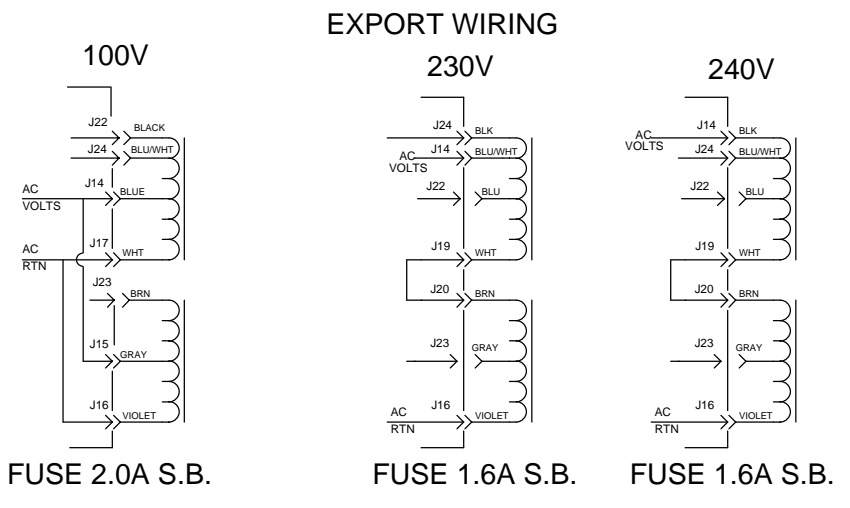


**TEST POINTS:**  
 20mVrms @ 1kHz INTO 0 db INPUT  
 GAIN, MASTER @ 10, TONES @ 5  
 4 OHM LOAD

**CAUTION:**  
 THIS SCHEMATIC IS PROVIDED FOR USE BY QUALIFIED PERSONNEL TO AVOID RISK OF ELECTRIC SHOCK, REFER SERVICING TO QUALIFIED SERVICE PERSONNEL. DO NOT PERFORM ANY SERVICING BEYOND THAT EXPLAINED IN THE OPERATING INSTRUCTIONS.

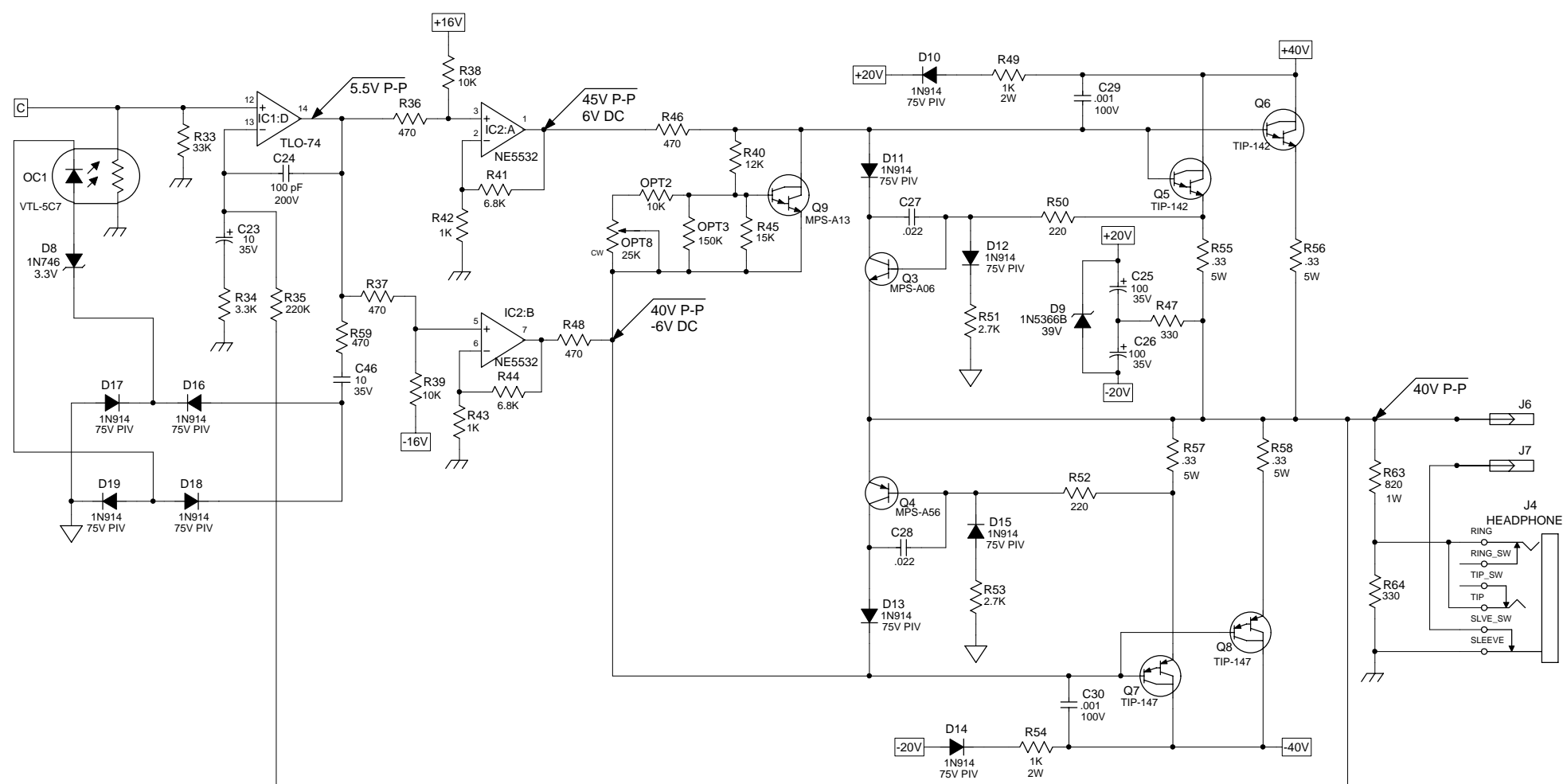
**NOTES:**  
 1) CAUTION: SHOCK HAZARD!! THIS UNIT CONTAINS HAZARDOUS VOLTAGE. DISCONNECT POWER AND BE SURE POWER SUPPLY IS DISCHARGED BEFORE TOUCHING INTERNAL PARTS.  
 2) UNLESS NOTED, RESISTOR VALUES IN OHMS, 1/4W-5% TOL. CAPACITOR VALUES IN MICROFARADS, 50V-10% TOL.  
 3) VOLTAGES ARE MEASURED WITH 1 MEGOHM OSCILLOSCOPE AND 10 MEGOHM DIGITAL VOLTMETER.



REV	Date	DESCRIPTION	Ecr(s)/Ecn(s)	Chgd By	Appvd by	Date
B	04/24/06	FIX ORIENTATION OF OC1, FIX VALUES, RE-CONNECT GND TRACE	R01904	WFB		
A	11/11/05	REDRAWN IN NEW FORMAT	DR050353	WFB		

THE INFORMATION CONTAINED ON THIS DRAWING IS PROPRIETARY TO ST. LOUIS MUSIC, INC.

Signatures:		Date:	 1901 Congressional, St. Louis, MO 63146
Drawn:	WFB	11/09/05	
Checked:			First Used On:
Released:			
Plot Date: Tue Apr 25, 2006	Drawing Size: C	Drawing Title: <b>BASS AMP SCHEMATIC</b>	
Plot Time: 07:11:45	Drawing Type: Schematic	Drawing Number: <b>07S243</b>	
Tolerance:	Class Code: NONE	Sheet 1 of 2	



BIAS: AT TURN ON, VOLTAGE ACROSS R55,56,57 AND R58 IS BETWEEN 1 AND 10mV DC

OUTPUT: OUTPUT IS 18Vrms AT LESS THAN 2% THD WITH AN INPUT OF 100mVrms

CAUTION:  
THIS SCHEMATIC IS PROVIDED FOR USE BY QUALIFIED PERSONNEL. TO AVOID RISK OF ELECTRIC SHOCK, REFER SERVICING TO QUALIFIED SERVICE PERSONNEL. DO NOT PERFORM ANY SERVICING BEYOND THAT EXPLAINED IN THE OPERATING INSTRUCTIONS.

- NOTES:
- 1) CAUTION: SHOCK HAZARD!! THIS UNIT CONTAINS HAZARDOUS VOLTAGE. DISCONNECT POWER AND BE SURE POWER SUPPLY IS DISCHARGED BEFORE TOUCHING INTERNAL PARTS.
  - 2) UNLESS NOTED, RESISTOR VALUES IN OHMS, 1/4W-5% TOL. CAPACITOR VALUES IN MICROFARADS, 50V-10% TOL.
  - 3) VOLTAGES ARE MEASURED WITH 1 MEGOHM OSCILLOSCOPE AND 10 MEGOHM DIGITAL VOLTMETER.

REV	Date	DESCRIPTION	Ecr(s)/Ecn(s)	Chgd By	Appvd by	Date
B	04/24/06	FIX ORIENTATION OF OC1, FIX VALUES, RE-CONNECT GND TRACE	R01904	WFB		
A	11/11/05	REDRAWN IN NEW FORMAT	DR050353	WFB		

THE INFORMATION CONTAINED ON THIS DRAWING IS PROPRIETARY TO ST. LOUIS MUSIC, INC.

Signatures:		Date:	 1901 Congressional, St. Louis, MO 63146
Drawn:	WFB	11/09/05	
Checked:			First Used On:
Released:			
Plot Date: Tue Apr 25, 2006	Drawing Size: C	Drawing Title: BASS AMP SCHEMATIC	
Plot Time: 07:11:45	Drawing Type: Schematic	Drawing Number: 07S243	
Tolerance:	Class Code: NONE	Sheet 2 of 2	