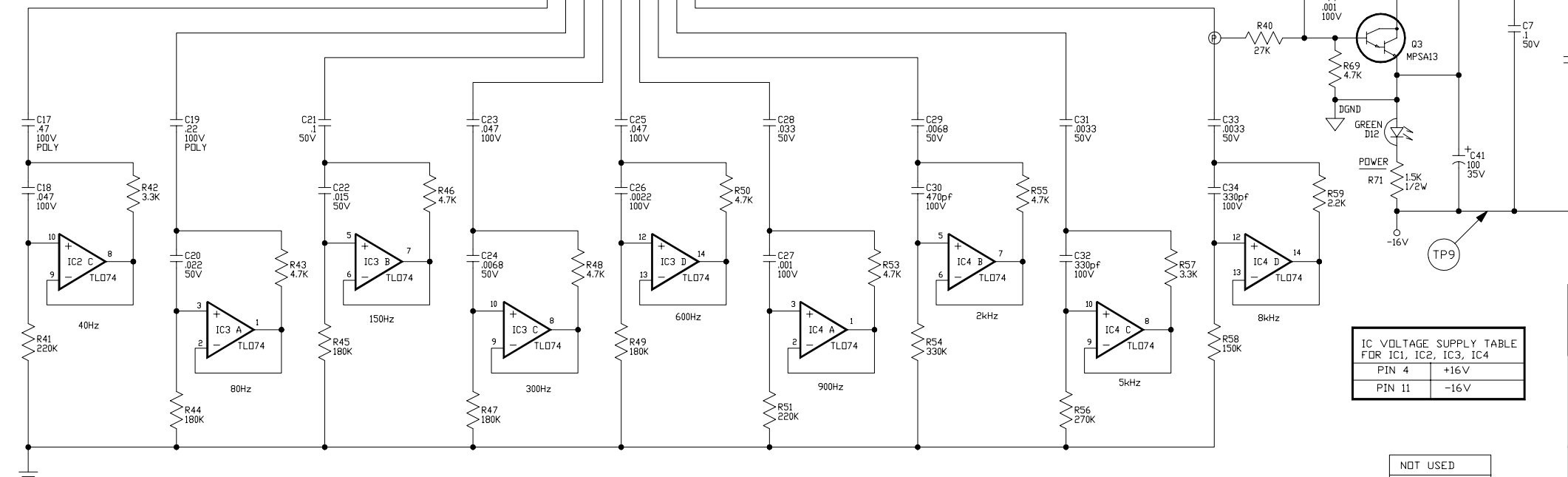


B-2 PREAMP TEST POINTS

INPUT SIGNAL 50mV P-P @ 1KHz
GAIN & LEVEL @ '10'; EQ's @ '5'

| T.P. | AC VOLTAGE | DC VOLTAGE |
|------|------------|------------|
| 1 | 50mV p-p | --- |
| 2 | 970mV p-p | --- |
| 3 | 8.5V p-p | --- |
| 4 | 1.5V p-p | --- |
| 5 | 1.5V p-p | --- |
| 6 | 680mV p-p | --- |
| 7 | 1.3V p-p | --- |
| 8 | 5mV p-p | +16V |
| 9 | -5mV p-p | -16V |



| | |
|--------|------|
| PIN 4 | +16V |
| PIN 11 | -16V |

| |
|-----------------------------|
| D7,8,9 |
| R5,8,9,19,20,52,60,61,62,63 |

NOTES

- 1) CAUTION: SHOCK HAZARD!! THIS UNIT CONTAINS HAZARDOUS VOLTAGE. DISCONNECT POWER AND BE SURE POWER SUPPLY IS DISCHARGED BEFORE TOUCHING INTERNAL PARTS.
- 2) UNLESS NOTED, RESISTOR VALUES IN OHMS, 1/4W-5% TOL. CAPACITOR VALUES IN MICROFARADS, 50V-10% TOL.
- 3) VOLTAGES ARE MEASURED WITH 1 MEGOHM OSCILLOSCOPE AND 10 MEGOHM DIGITAL VOLTMETER.
- 4) DIRTY GROUND ⚡ SIGNAL GROUND ⚡

| REV | DATE | BY | CHK'D | DESCRIPTION |
|-----|----------|-----|-------|--|
| 6 | | | | |
| 5 | 6-11-98 | RLB | | UPDATE TO AGREE WITH PICTORIAL PER ECO 970593 |
| 4 | 08/29/96 | LMA | | UPDATED REV TO REFLECT PIC CHANGE E960254 |
| 3 | 07/01/96 | SWR | | ADDED SVT-350 TO TITLE BLOCK PER ECO #E950390. |
| 2 | 06/18/94 | LMA | | REV CHG TO REFLECT JUMPER CHG PER E150 |
| 1 | 02/11/94 | SWR | | CHANGED VALUE OF R7 & R37. CHANGED IC4 TO IC3 AND IC4 TO IC5. PER ECO #E054. |

| SIGNATURES: | | DATE: | PROJECT NAME: | |
|------------------|--|----------|--------------------------------|--|
| DRAWN: REM | | 11/22/93 | B-2/SVT-350 | |
| CHK'D: | | | DRAWING NAME: PREAMP SCHEMATIC | |
| APP'D: | | | DRAWING NO. 07S535-01 | |
| ORIGINAL ISSUED: | | 11/22/93 | REV. 5 | |
| PLOT DATE: | | 06/11/98 | SCALE: ~ SHEET: 1 OF 1 | |
| PLOT TIME: | | 13:58:14 | | |
| FILE NAME: | | 53501h5_ | | |

11880 BORMAN DR.
ST. LOUIS, MISSOURI
63146

CAUTION:
THIS SCHEMATIC IS PROVIDED FOR USE BY QUALIFIED PERSONNEL. TO AVOID RISK OF ELECTRIC SHOCK, REFER SERVICING TO QUALIFIED SERVICE PERSONNEL. DO NOT PERFORM ANY SERVICING BEYOND THAT EXPLAINED IN THE OPERATING INSTRUCTIONS.