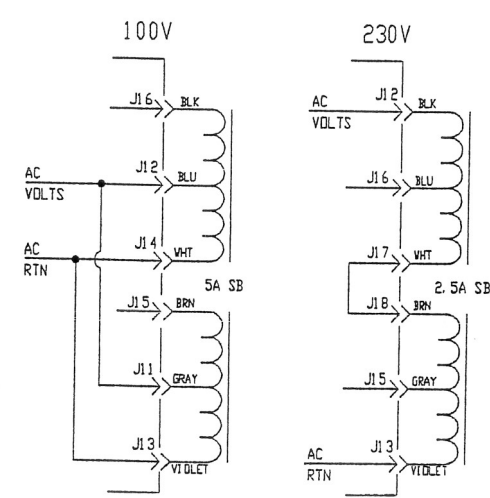
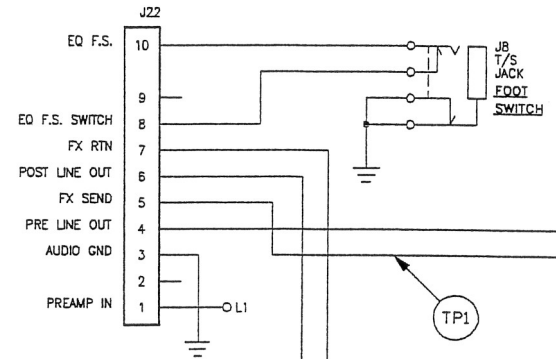
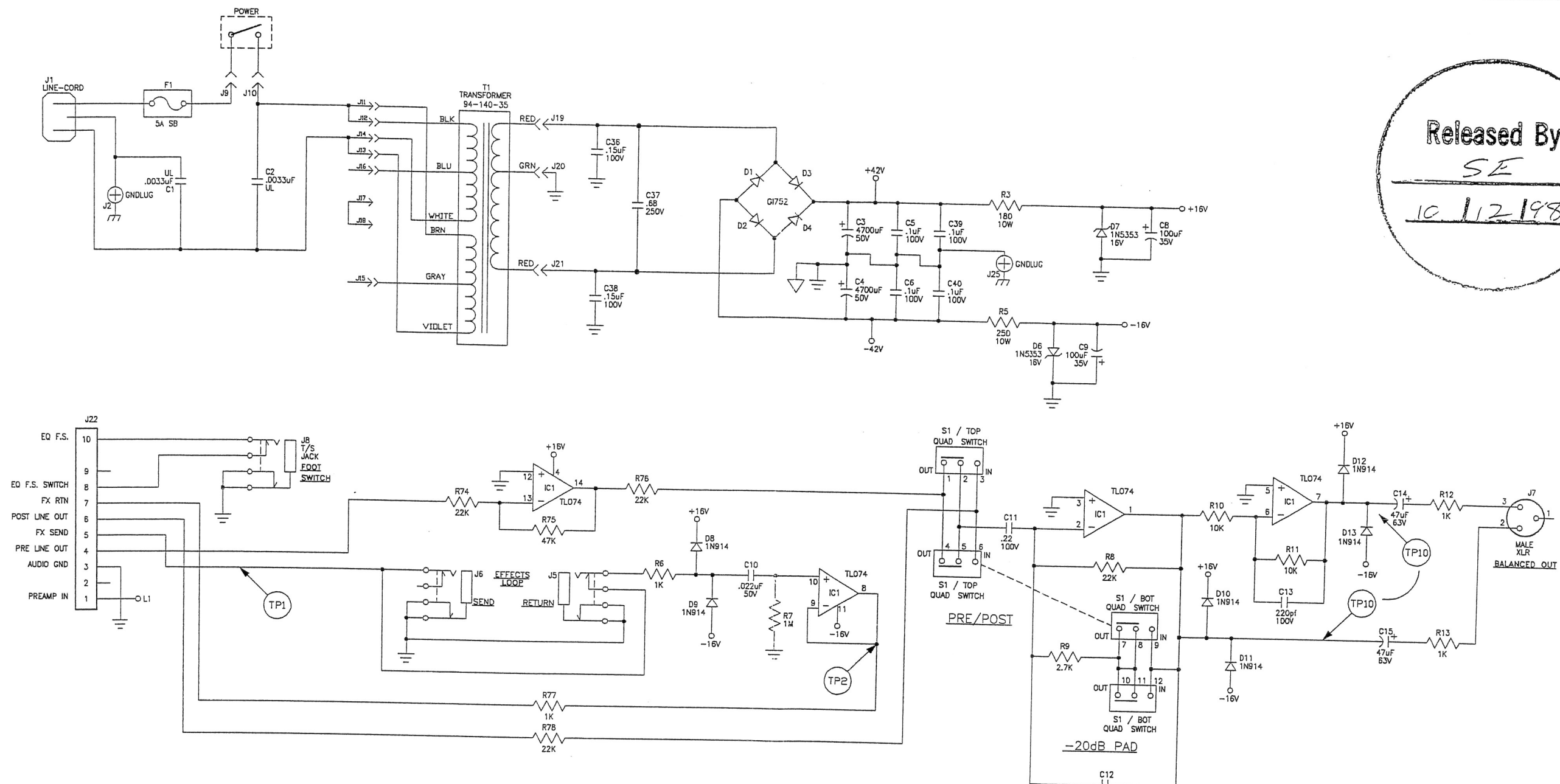


Released By
SE
10/12/98



INPUT SIGNAL 1KHz FROM 07-538-01
S1 OUT (TOP & BOTTOM)

T.P.	AC VOLTAGE	DC VOLTAGE
1	.7V p-p	0 ±.2
2	.7V p-p	0 ±.2
3	1.2V p-p	0 ±.2
4	14V p-p	0 ±.2
5	60V p-p	+1.4V*
6	60V p-p	-1.4V*
7	N/A	N/A
8	N/A	N/A
9	56V p-p	0 ±.3
10	6dB FROM J22/4	0 ±.2

* TEMPERATURE DEPENDENT

PARTS NOT USED

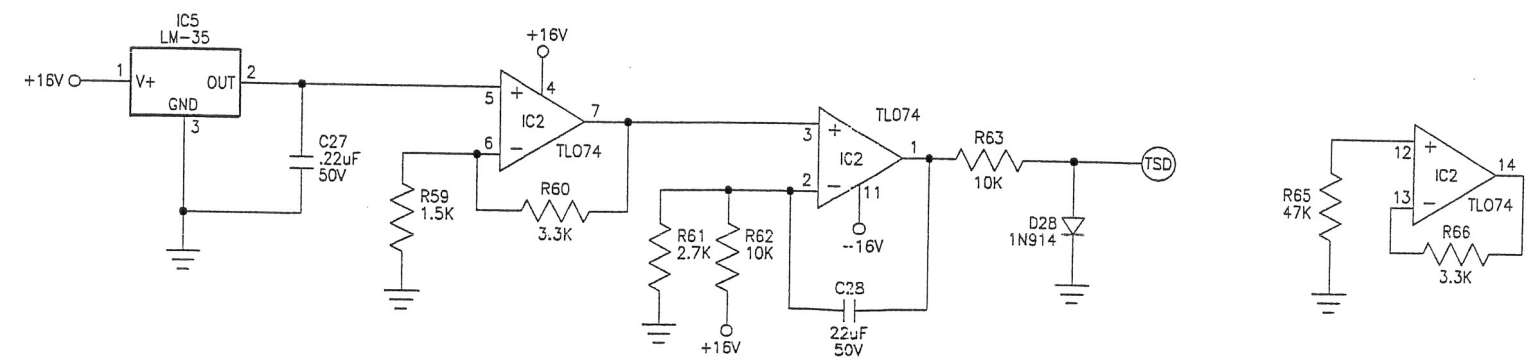
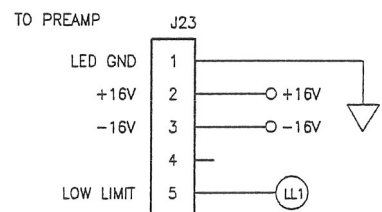
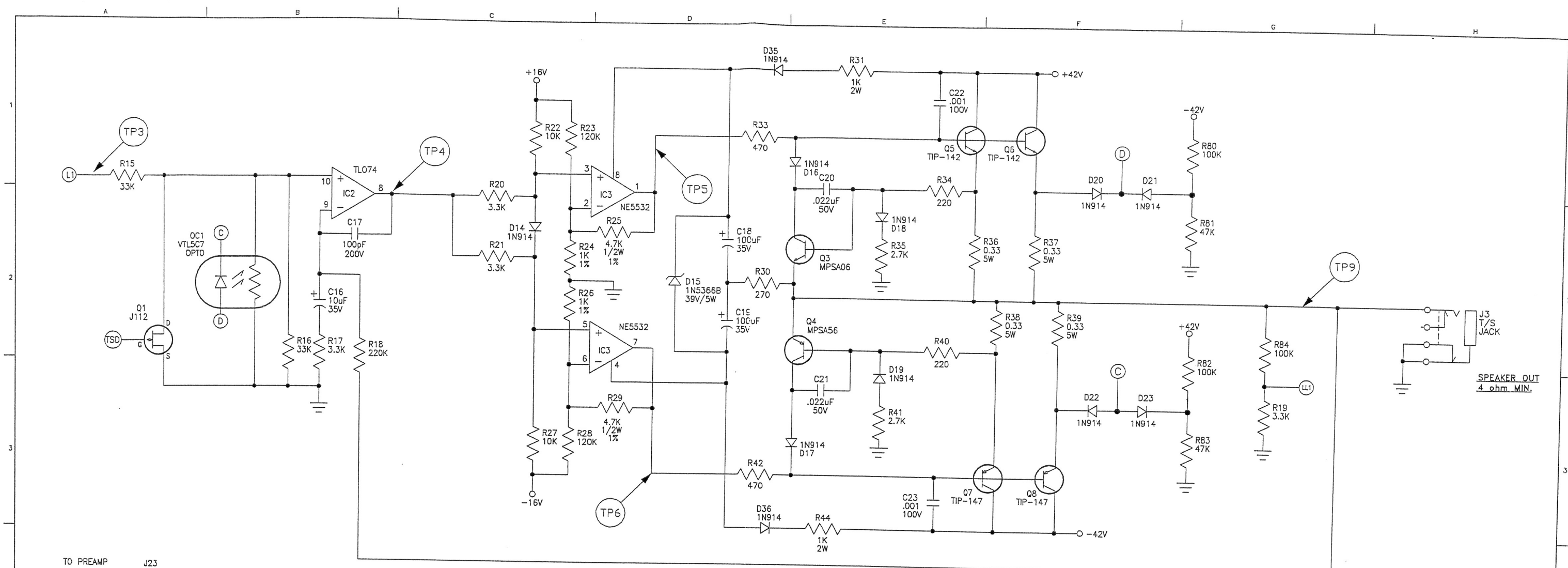
D29-D34	R79	R85-R89	Q8-Q12
Q2	J24	D24-D27	R67-R73
R14	R2	D37-D38	C29-C35
R1	C7	IC4	
D5	L2	OC2	
L1	R32	C24-C26	
R64	R43	R45-R58	
R4	J4		

CAUTION:
THIS SCHEMATIC IS PROVIDED FOR USE BY QUALIFIED PERSONNEL.
TO AVOID RISK OF ELECTRIC SHOCK, REFER SERVICING TO QUALIFIED
SERVICE PERSONNEL. DO NOT PERFORM ANY SERVICING BEYOND
THAT EXPLAINED IN THE OPERATING INSTRUCTIONS.

- NOTES
- 1) CAUTION: SHOCK HAZARD!!
THIS UNIT CONTAINS HAZARDOUS VOLTAGE. DISCONNECT POWER
AND BE SURE POWER SUPPLY IS DISCHARGED BEFORE
TOUCHING INTERNAL PARTS.
 - 2) UNLESS NOTED, RESISTOR VALUES IN OHMS, 1/4W-5% TOL.
CAPACITOR VALUES IN MICROFARADS, 50V-10% TOL.
 - 3) VOLTAGES ARE MEASURED WITH 1 MEGOHM OSCILLOSCOPE
AND 10 MEGOHM DIGITAL VOLTMETER.
 - 4) CHASSIS GROUND ⚡ SIGNAL GROUND ⚡ LED GROUND ⚡

REV	DATE	BY	CHK'D	DESCRIPTION
6				
5	4-6-98	RLB		UPDATE TO AGREE WITH PICTORIAL PER ECO 980162
4	11/14/97	SWR		CHANGED VALUE OF R19, & R80 thru R83. PER ECO #970781.
3	10/10/97	MAG		CHG'D PARTS TO RADIAL INSERTED PARTS PER ECO #970592.
2	11/08/95	DMM		CHG'D 39-116-51 TO 36-116-01 PER ECO 950348.
1	07/06/95	MGA		ADDED GOODP DWG AS PG 3

SIGNATURES:	DATE:	11880 BORGAN DR. ST. LOUIS, MISSOURI 63146
DRAWN: MGA	10/12/94	
CHK'D: GM	05/08/95	PROJECT NAME:
APP'D: GM	05/08/95	B-3 BASS AMP
ORIGINAL ISSUED:	05/08/95	DRAWING NAME:
PLOT DATE:	06/01/98	POWER AMP SCHEMATIC
PLOT TIME:	15:22:27	DRAWING NO. 07S435-01
FILE NAME:	43501h5_	REV. 5_



SEE SHEET 1 OF 2 FOR REVISION HISTORY

SIGNATURES:	DATE:	 1880 BORMAN DR. ST. LOUIS, MISSOURI 63145
DRAWN: MGA	10/12/94	
CHK'D: GM	05/08/95	PROJECT NAME:
APP'D: GM	05/08/95	B-3 BASS AMP
ORIGINAL ISSUED:	05/08/95	DRAWING NAME:
PLOT DATE:	06/01/98	POWER AMP SCHEMATIC
PLOT TIME:	15:22:27	DRAWING NO. 07S435-01
FILE NAME:	43501h5	REV. 5
	SCALE: 1:1	SHEET: 2 OF 2