

EXPORT WIRING

INPUT SIGNAL 1KHz FROM 07-538-01
S1 OUT (TOP & BOTTOM)

| T.P. | AC VOLTAGE | DC VOLTAGE |
|------|----------------|------------|
| 1 | .7V p-p | 0 ±.2 |
| 2 | .7V p-p | 0 ±.2 |
| 3 | 1.2V p-p | 0 ±.2 |
| 4 | 14V p-p | 0 ±.2 |
| 5 | 60V p-p | +1.4V* |
| 6 | 60V p-p | -1.4V* |
| 7 | N/A | N/A |
| 8 | N/A | N/A |
| 9 | 56V p-p | 0 ±.3 |
| 10 | 6dB FROM J22/4 | 0 ±.2 |

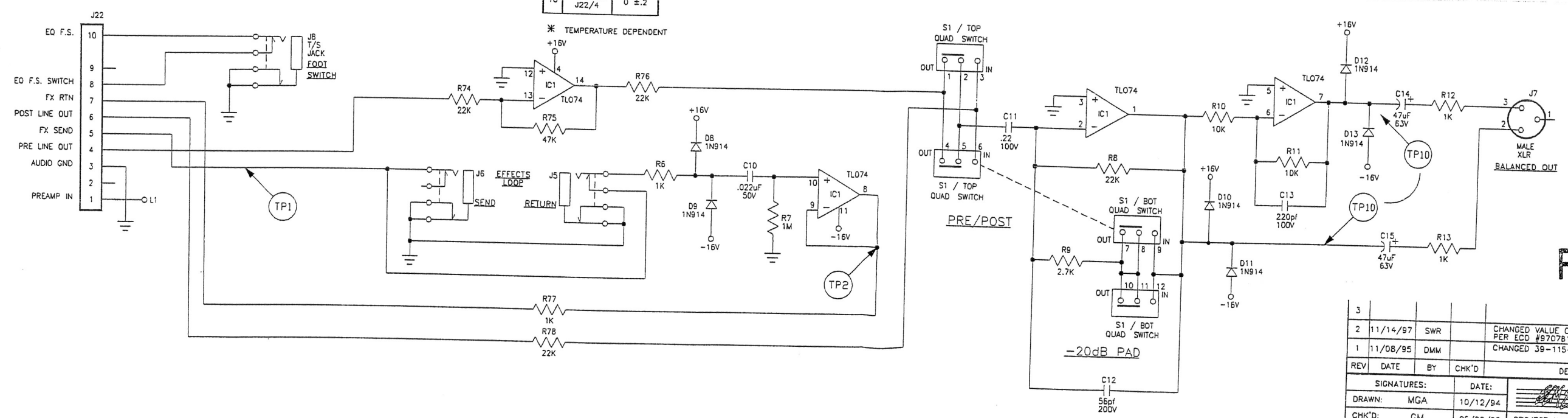
PARTS NOT USED

| | | |
|---------|---------|---------|
| D29-D34 | R85-R89 | O9-O12 |
| R14 | D24-D27 | R67-R73 |
| R1 | D37-D38 | C29-C35 |
| D5 | C7 | IC4 |
| L1 | L2 | OC2 |
| R64 | R32 | C24-C26 |
| R4 | R43 | R45-R58 |
| | | O2 |

NOTES

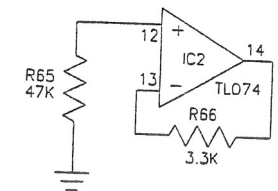
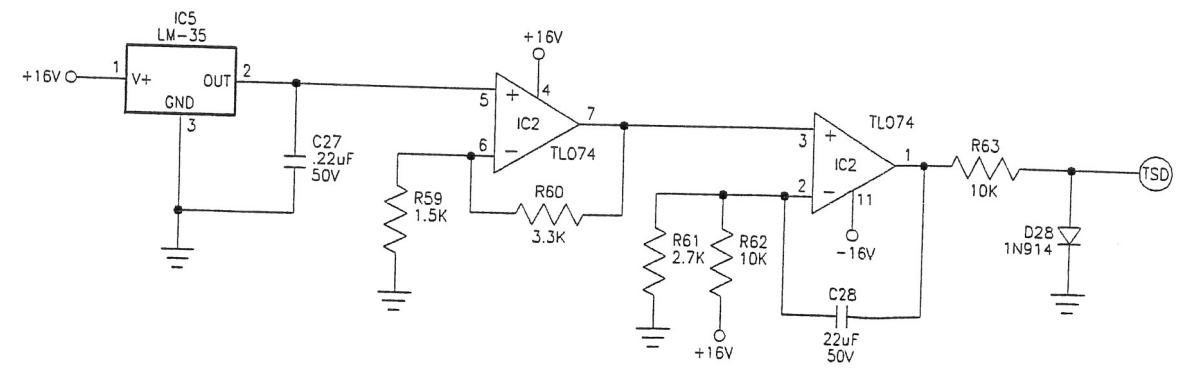
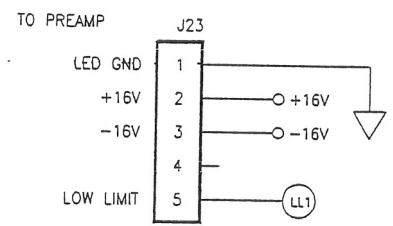
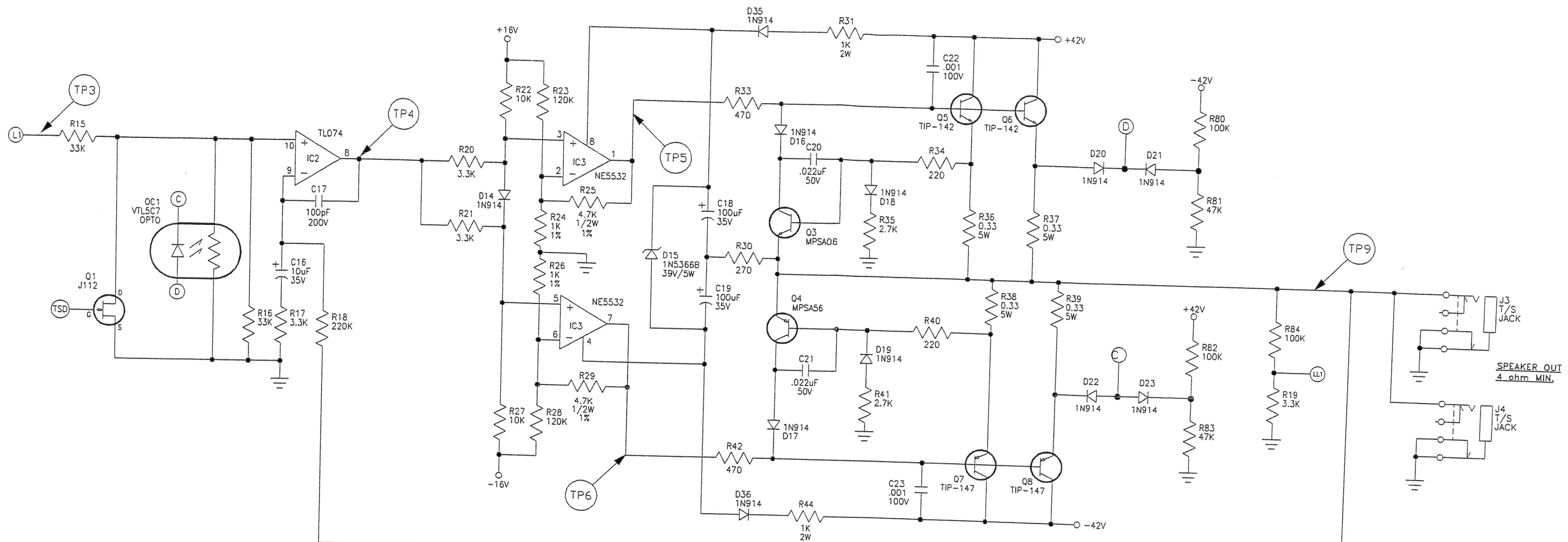
- 1) CAUTION: SHOCK HAZARD!! THIS UNIT CONTAINS HAZARDOUS VOLTAGE. DISCONNECT POWER AND BE SURE POWER SUPPLY IS DISCHARGED BEFORE TOUCHING INTERNAL PARTS.
- 2) UNLESS NOTED, RESISTOR VALUES IN OHMS, 1/4W-5% TOL. CAPACITOR VALUES IN MICROFARADS, 50V-10% TOL.
- 3) VOLTAGES ARE MEASURED WITH 1 MEGOHM OSCILLOSCOPE AND 10 MEGOHM DIGITAL VOLTMETER.
- 4) CHASSIS GROUND ⏏ SIGNAL GROUND ⏏ LED GROUND ⏏

CAUTION: THIS SCHEMATIC IS PROVIDED FOR USE BY QUALIFIED PERSONNEL TO AVOID RISK OF ELECTRIC SHOCK, REFER SERVICING TO QUALIFIED SERVICE PERSONNEL. DO NOT PERFORM ANY SERVICING BEYOND THAT EXPLAINED IN THE OPERATING INSTRUCTIONS.



RELEASED

| | | | | |
|---------------------------|----------|------------|-------|--|
| 3 | | | | |
| 2 | 11/14/97 | SWR | | CHANGED VALUE OF R19, R80 thru R83. PER ECD #970781. |
| 1 | 11/08/95 | DMM | | CHANGED 39-115-51 TO 39-116-01 PER E950348 |
| REV | DATE | BY | CHK'D | DESCRIPTION |
| SIGNATURES: | | DATE: | | |
| DRAWN: MGA | | 10/12/94 | | |
| CHK'D: GM | | 05/08/95 | | |
| APP'D: GM | | 05/08/95 | | |
| ORIGINAL ISSUED: 05/08/95 | | | | PROJECT NAME: B-3H BASS AMP |
| PLOT DATE: 11/14/97 | | | | DRAWING NAME: POWER AMP SCHEMATIC |
| PLOT TIME: 09:27:15 | | | | DRAWING NO. 07S435-11 |
| FILE NAME: 43511h2 | | | | REV. 2 |
| | | SCALE: 1:1 | | SHEET: 1 OF 2 |



RELEASED

SEE SHEET 1 OF 2 FOR REVISION HISTORY

| | | | |
|------------------|----------|--------------------|---|
| SIGNATURES: | DATE: | <i>[Signature]</i> | 1180 BORMAN DR. ST. LOUIS, MISSOURI 63146 |
| DRAWN: MGA | 10/12/94 | | |
| CHK'D: GM | 05/08/95 | PROJECT NAME: | B-3H BASS AMP |
| APP'D: GM | 05/08/95 | DRAWING NAME: | POWER AMP SCHEMATIC |
| ORIGINAL ISSUED: | 05/08/95 | DRAWING NO.: | 07S435-11 |
| PLOT DATE: | 11/14/97 | REV.: | 2 |
| PLOT TIME: | 09:27:15 | | |
| FILE NAME: | 43511h? | | |