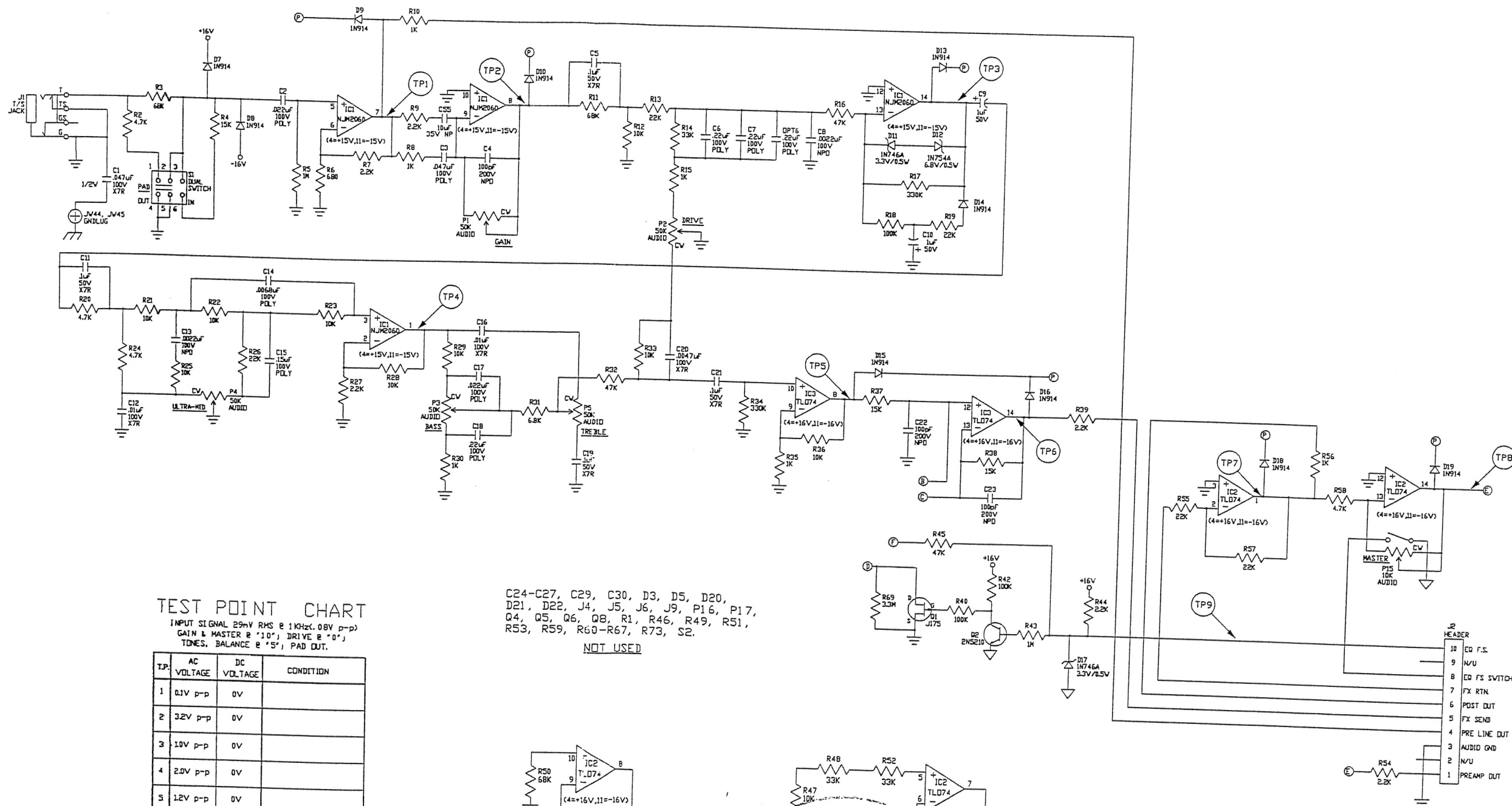


NOTES

- 1) CAUTION: SHOCK HAZARD!
THIS UNIT CONTAINS HAZARDOUS VOLTAGE. DISCONNECT POWER AND BE SURE POWER SUPPLY IS DISCHARGED BEFORE TOUCHING INTERNAL PARTS.
- 2) UNLESS NOTED, RESISTOR VALUES IN OHMS, 1/4W-5% TOL. CAPACITOR VALUES IN MICROFARADS, 50V-10% TOL.
- 3) VOLTAGES ARE MEASURED WITH 1 MEGOHM OSCILLOSCOPE AND 10 MEGOHM DIGITAL VOLTMETER.
- 4) CHASSIS GROUND \uparrow LED GROUND \downarrow AUDIO GROUND \pm



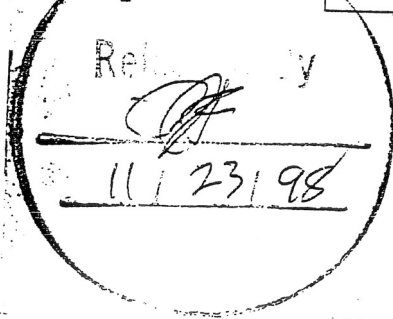
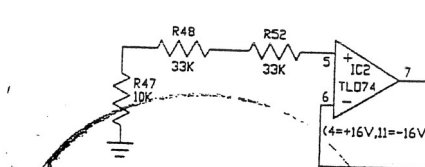
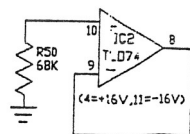
TEST POINT CHART

INPUT SIGNAL 29mV RMS @ 1KHz (0.8V p-p)
GAIN & MASTER @ '10', DRIVE @ '0',
TONES, BALANCE @ '5', PAD OUT.

T.P.	AC VOLTAGE	DC VOLTAGE	CONDITION
1	0.1V p-p	0V	
2	3.2V p-p	0V	
3	10V p-p	0V	
4	2.0V p-p	0V	
5	1.2V p-p	0V	
6	1.3V p-p	0V	
7	1.2V p-p	0V	
8	2.4V p-p	0V	
9	—	3.3V/DV	GRAPHIC ED DN/OFF

C24-C27, C29, C30, D3, D5, D20,
D21, D22, J4, J5, J6, J9, P16, P17,
Q4, Q5, Q6, Q8, R1, R46, R49, R51,
R53, R59, R60-R67, R73, S2.

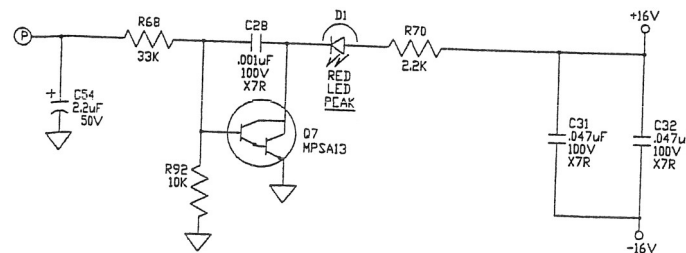
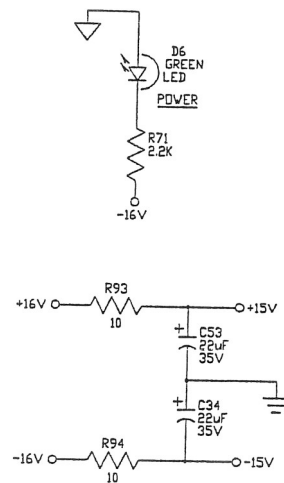
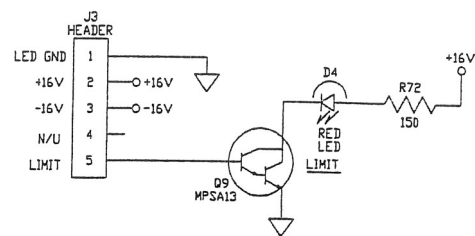
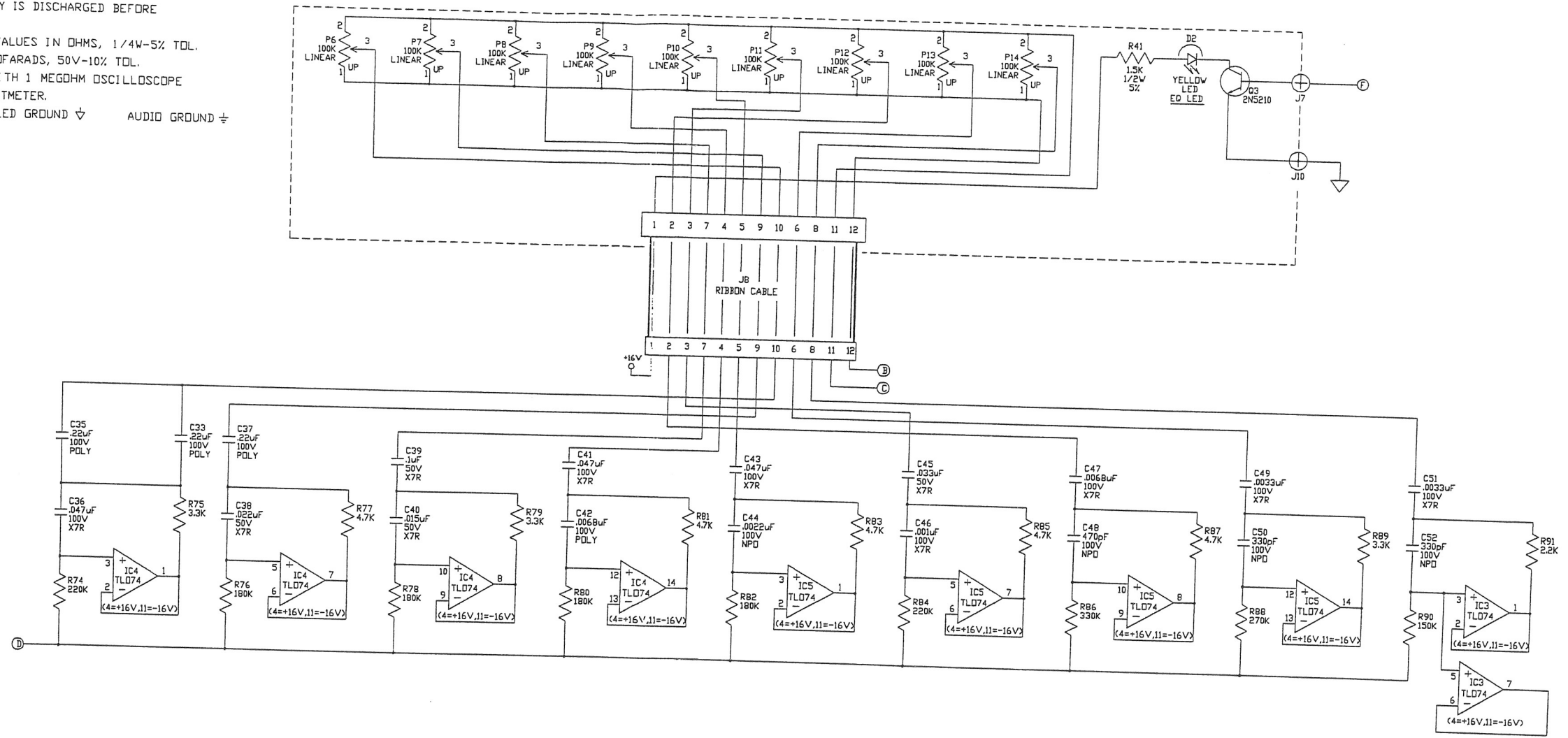
NOT USED



SIGNATURES:	DATE:	11880 BORMAN DR. ST. LOUIS, MISSOURI 63146
DRAWN: REM	07/16/98	PROJECT NAME: B3/B3-28
CHK'D: GM	07/16/98	DRAWING NAME: PREAMP SCHEMATIC
APP'D: GM	07/16/98	DRAWING NO. 07S538-02
ORIGINAL ISSUED:	07/16/98	REV 0_
PLOT DATE:	11/19/98	SCALE: NTS
PLOT TIME:	08:59:37	SHEET: 1 OF 2
FILE NAME:	53802h0_	

NOTES

- 1) CAUTION: SHOCK HAZARD!!
THIS UNIT CONTAINS HAZARDOUS VOLTAGE. DISCONNECT POWER AND BE SURE POWER SUPPLY IS DISCHARGED BEFORE TOUCHING INTERNAL PARTS.
- 2) UNLESS NOTED, RESISTOR VALUES IN OHMS, 1/4W-5% TOL. CAPACITOR VALUES IN MICROFARADS, 50V-10% TOL.
- 3) VOLTAGES ARE MEASURED WITH 1 MEGOHM OSCILLOSCOPE AND 10 MEGOHM DIGITAL VOLTMETER.
- 4) CHASSIS GROUND ∇ LED GROUND ∇ AUDIO GROUND \oplus



SEE SHT 1 FOR REV HISTORY

SIGNATURES:	DATE:		11880 BORMAN DR. ST. LOUIS, MISSOURI 63146
DRAWN: REM	7/16/98	PROJECT NAME:	B3/B3-28
CHK'D: GM	7/16/98	DRAWING NAME:	PREAMP SCHEMATIC
APP'D: GM	7/16/98	PLOT DATE:	11/19/98
ORIGINAL ISSUED:	7/16/98	PLOT TIME:	08:59:37
FILE NAME:	53802hd_	DRAWING NO.:	07S538-02
SCALE: NONE	SHEET:	2 OF 2	REV. 0_