

Released By
SE
10/1/98

TEST POINT CHART

INPUT SIGNAL 25mV RMS @ 1KHz, 0.8V p-p
GAIN & MASTER @ '10', DRIVE @ '0',
TONES, BALANCE @ '5', PAD OUT.

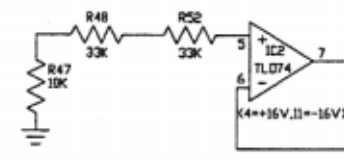
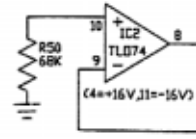
T.P.	AC VOLTAGE	DC VOLTAGE	CONDITION
1	0.1V p-p	0V	
2	1.6V p-p	0V	
3	0.5V p-p	0V	
4	1.0V p-p	0V	
5	1.2V p-p	0V	
6	1.3V p-p	0V	
7	1.2V p-p	0V	
8	2.4V p-p	0V	
9	—	3.3V/0V	GRAPHIC EQ ON/OFF

NOT USED

C24-C27, C29, C30, D3, D5, D20,
D21, D22, J4, J5, J6, J9, P16, P17,
Q4, Q5, Q6, Q8, R46, R49, R51,
R53, R59, R60-R67, R73, S2.

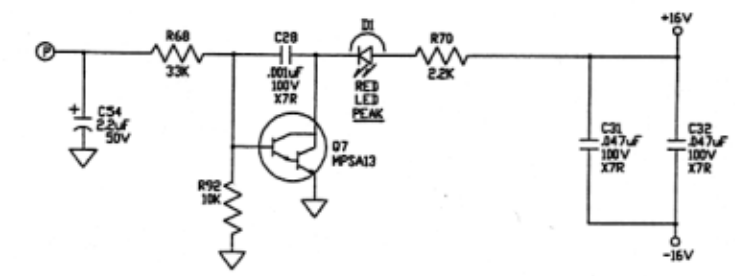
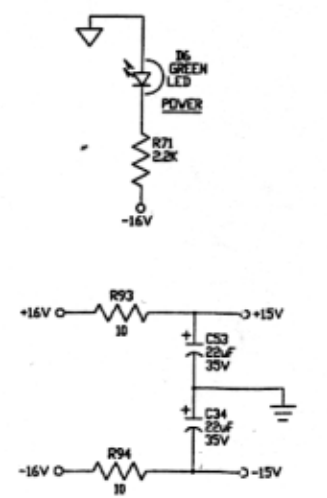
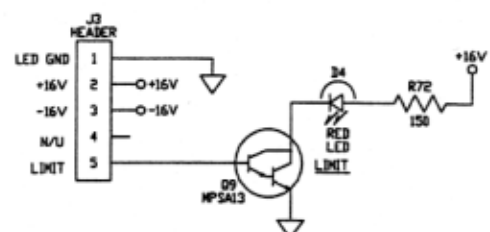
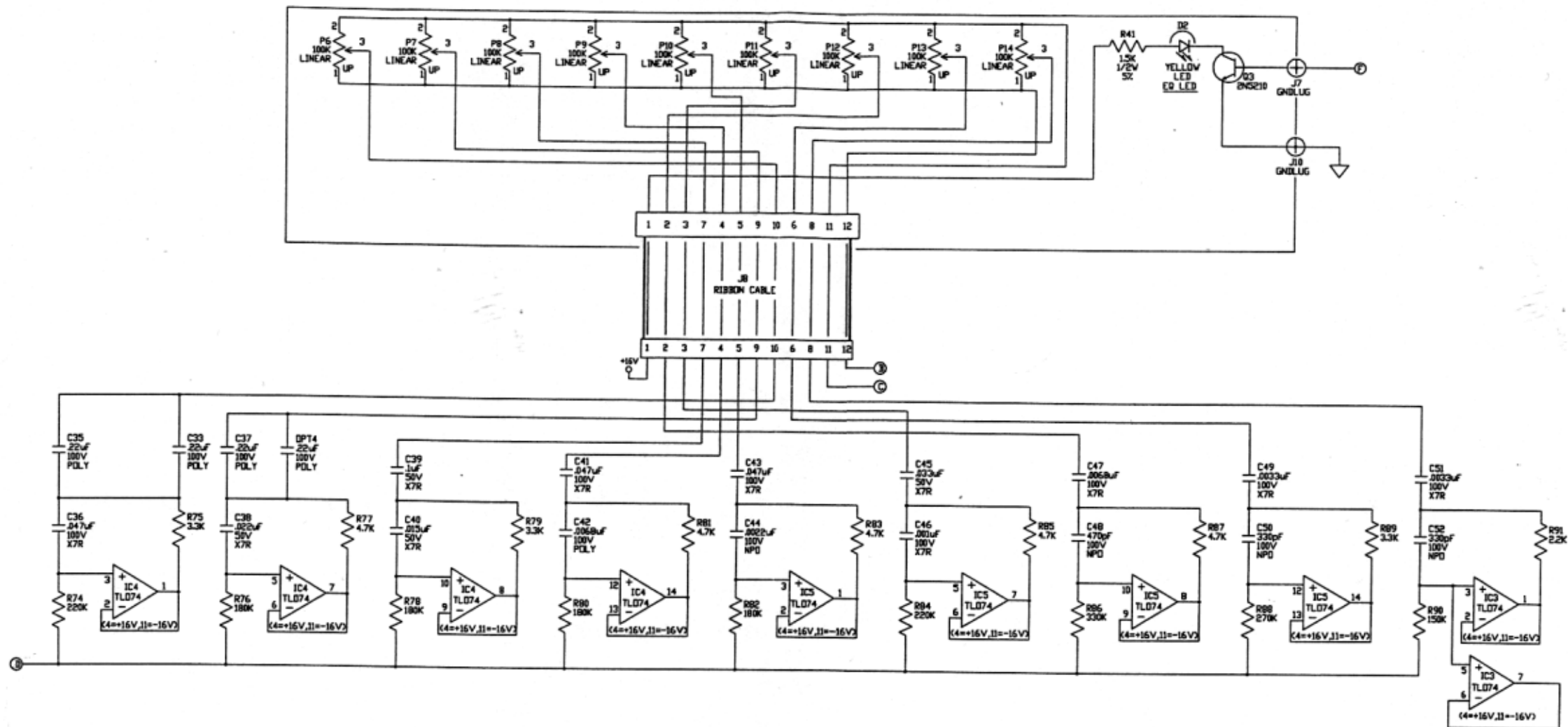
NOTES

- 1) CAUTION: SHOCK HAZARD!
THIS UNIT CONTAINS HAZARDOUS VOLTAGE. DISCONNECT POWER AND BE SURE POWER SUPPLY IS DISCHARGED BEFORE TOUCHING INTERNAL PARTS.
- 2) UNLESS NOTED, RESISTOR VALUES IN OHMS, 1/4W-5% TOL. CAPACITOR VALUES IN MICROFARADS, 50V-10% TOL.
- 3) VOLTAGES ARE MEASURED WITH 1 MEGOHM OSCILLOSCOPE AND 10 MEGOHM DIGITAL VOLTMETER.
- 4) CHASSIS GROUND \perp LED GROUND ∇ AUDIO GROUND \oplus



REV	DATE	BY	CHK'D	DESCRIPTION
6				
5				
4	10/10/97	MAG		CHG'D PARTS TO RADIAL INSERTED PARTS PER ECO 970591.
3	08/29/96	LMA		UPDATED REV TO REFLECT PIC CHANGE E960234
2	10/3/95	REM		REV TO MATCH PICT. PER E950325.
1	8/02/95	REM		ADDED C54, J44, J45, J8 TO OPT. PER E950212. ART TO REV 1.

SIGNATURES:	DATE:	11880 BORMAN DR. ST. LOUIS, MISSOURI 63148
DRAWN: S.RADER	01/11/95	
CHK'D: GM	01/11/95	PROJECT NAME:
APP'D: GM	01/11/95	B-3/B-3H
ORIGINAL ISSUED: V		DRAWING NAME:
PLOT DATE: 10/06/98		PREAMP SCHEMATIC
PLOT TIME: 12:27:59		DRAWING NO. 07S538-01
FILE NAME: 53801H4		REV. 4
	SCALE: 1:1	SHEET: 1 OF 2

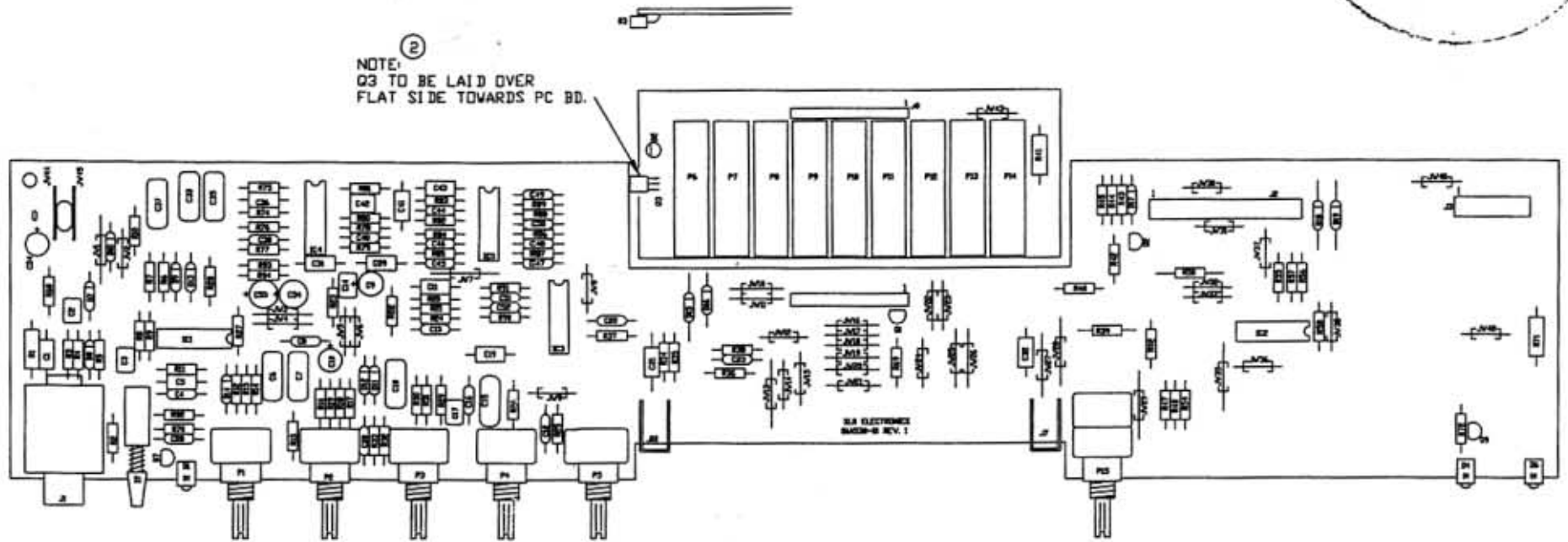


- NOTES**
- 1) CAUTION: SHOCK HAZARD!! THIS UNIT CONTAINS HAZARDOUS VOLTAGE. DISCONNECT POWER AND BE SURE POWER SUPPLY IS DISCHARGED BEFORE TOUCHING INTERNAL PARTS.
 - 2) UNLESS NOTED, RESISTOR VALUES IN OHMS, 1/4W-5% TOL. CAPACITOR VALUES IN MICROFARADS, 50V-10% TOL.
 - 3) VOLTAGES ARE MEASURED WITH 1 MEGOHM OSCILLOSCOPE AND 10 MEGOHM DIGITAL VOLTMETER.
 - 4) CHASSIS GROUND \perp LED GROUND ∇ AUDIO GROUND \oplus

SEE SHT 1 FOR REV HISTORY

SIGNATURES:	DATE:		11880 BORMAN DR. ST. LOUIS, MISSOURI 63146
DRAWN: S.RADER	01/11/95		
CHK'D: GM	01/11/95	PROJECT NAME:	
APP'D: GM	01/11/95	B-3/B-3H	
ORIGINAL ISSUED: V	DRAWING NAME:	PREAMP SCHEMATIC	
PLOT DATE: 10/06/98	DRAWING NO. 07S538-01	REV. 4	
PLOT TIME: 12:27:59	FILE NAME: 53801H4	SCALE: 1:1	SHEET: 2 OF 2

Released By
SE
10/12/98



6				
5				
4	10/10/97	MAG	<i>ML</i>	CHG'D PARTS TO RADIAL INSERTED PARTS PER ECO 970591 AND 980179
3	08/29/96	LMA		CHG 70-104-25 TO 70-104-21 E960254
2	10/3/95	REM		Q3 TO LAID ON SIDE AS SHOWN PER E950325.
1	08/03/95	REM		ADDED C54, JW44, JW45;J9 TO OPT. PER E950212.ART TO REV. 1. ADDED JW NOTE.
SIGNATURES:		DATE:	11880 BORMAN DR. ST. LOUIS, MISSOURI 63146	
DRAWN: S.RADER		12/07/94	<i>[Signature]</i>	
CHK'D: GM		12/07/95	PROJECT NAME:	
APP'D: GM		12/07/95	B-3/B-3H	
ORIGINAL ISSUED: V		DRAWING NAME:		
PLOT DATE: 10/06/98		PREAMP PICTORIAL:		
PLOT TIME: 12:21:02		DRAWING NO. 07P538-01	REV. 4	
FILE NAME: 53801P4		SCALE: 1:1	SHEET: 1 OF 2	

A				B			C			D			E		
DESIGNATOR	PART #	DESCRIPTION		IC1			R32			R80					
C1	10A473-11	.047uF	100V	IC2	37-074-01	TLD74	R33	76-103-01	10K	R81	76-472-01	4.7K			
C2	10R223-02	.022uF	100V	IC3	37-074-01	TLD74	R34	76-334-01	330K	R82	76-184-01	180K			
C3	10R333-02	.033uF	100V	IC4	37-074-01	TLD74	R35	76-102-01	1K	R83	76-472-01	4.7K			
C4	10A101-21	100pF	200V	IC5	37-074-01	TLD74	R36	76-223-01	22K	R84	76-224-01	220K			
C5	10A104-01	.1uF	50V	J1	39-119-01	T/S JACK	R37	76-153-01	15K	R85	76-472-01	4.7K			
C6	10-224-03	.22uF	100V	J2	17-310-10	10 PIN HEADER	R38	76-153-01	15K	R86	76-334-01	330K			
C7	10-224-03	.22uF	100V	J3	17-310-05	5 PIN HEADER	R39	76-222-01	2.2K	R87	76-472-01	4.7K			
C8	10A222-11	.0022uF	100V	J4	NOT USED		R40	76-104-01	100K	R88	76-274-01	270K			
C9	12R105-50	.1uF	50V	J5	NOT USED		R41	77-152-01	1.5K	R89	76-332-01	3.3K			
C10	12-106-32	10uF	35V	J6	NOT USED		R42	76-104-01	100K	R90	76-154-01	150K			
C11	10A104-01	.1uF	50V	J7	17-149-01	GNDLUG	R43	76-105-01	1M	R91	76-222-01	2.2K			
C12	10A103-11	.01uF	100V	J8	99-124-02	12 PIN RIBBON	R44	76-222-01	2.2K	R92	76-103-01	10K			
C13	10A222-11	.0022uF	100V	J10	51-149-01	GNDLUG	R45	76-473-01	47K	R93	76-100-01	10			
C14	10R682-03	.0068uF	100V				R46	NOT USED		R94	76-100-01	10			
C15	10-154-02	.15uF	100V	P1	70-503-22	AUDIO	R47	76-103-01	10K	S1	88-302-02	DUAL SWITCH			
C16	10A103-11	.01uF	100V	P2	70-503-22	AUDIO	R48	76-333-01	33K	S2	NOT USED				
C17	10R223-02	.022uF	100V	P3	70-503-22	AUDIO	R49	NOT USED		JW1-JW33	76-000-XX	JUMPER WIRE			
C18	10-224-03	.22uF	100V	P4	70-503-22	AUDIO	R50	76-683-01	68K	JW34	NOT USED				
C19	10A104-01	.1uF	50V	P5	70-503-22	AUDIO	R51	NOT USED		JW35-JW38	76-000-XX	JUMPER WIRE			
C20	10A472-11	.0047uF	100V	P6	70-104-21	LINEAR	R52	76-333-01	33K	JW39	NOT USED				
C21	10A104-01	.1uF	50V	P7	70-104-21	LINEAR	R53	NOT USED		JW40	76-000-XX	JUMPER WIRE			
C22	10A101-21	100pF	200V	P8	70-104-21	LINEAR	R54	76-222-01	2.2K	JW41	NOT USED				
C23	10A101-21	100pF	200V	P9	70-104-21	LINEAR	R55	76-223-01	22K	JW42-JW43	76-000-XX	JUMPER WIRE			
C24	NOT USED			P10	70-104-21	LINEAR	R56	76-102-01	1K	JW44, JW45	76-000-05	JUMPER WIRE			
C25	NOT USED			P11	70-104-21	LINEAR	R57	76-223-01	22K						
C26	NOT USED			P12	70-104-21	LINEAR	R58	76-472-01	4.7K						
C27	NOT USED			P13	70-104-21	LINEAR	R59	NOT USED							
C28	10A102-11	.001uF	100V	P14	70-104-21	LINEAR	R60	NOT USED							
C29	NOT USED			P15	70-103-28	AUDIO	R61	NOT USED							
C30	NOT USED			P16	NOT USED		R62	NOT USED							
C31	10A473-11	.047uF	100V	P17	NOT USED		R63	NOT USED							
C32	10A473-11	.047uF	100V	Q1	96R175-01	J175	R64	NOT USED							
C33	10-224-03	.22uF	100V	Q2	96R510-01	2N5210	R65	NOT USED							
C34	12R226-32	22uF	35V	Q3	96R510-01	2N5210	R66	NOT USED							
C35	10-224-03	.22uF	100V	Q4	NOT USED		R67	NOT USED							
C36	10A473-11	.047uF	100V	Q5	NOT USED		R68	76-333-01	33K						
C37	10-224-03	.22uF	100V	Q6	NOT USED		R69	76-335-01	3.3M						
C38	10A223-01	.022uF	50V	Q7	96-013-01	MPSA13	R70	76-222-01	2.2K						
C39	10A104-01	.1uF	50V	Q8	NOT USED		R71	76-222-01	2.2K						
C40	10A153-01	.015uF	50V	Q9	96R013-01	MPSA13	R72	76-222-01	2.2K						
C41	10A473-11	.047uF	100V	R1	77-100-01	10	R73	76-151-01	150						
C42	10R682-03	.0068uF	100V	R2	76-472-01	4.7K	R74	76-224-01	220K						
C43	10A473-11	.047uF	100V	R3	76-683-01	68K	R75	76-332-01	3.3K						
C44	10A222-11	.0022uF	100V	R4	76-153-01	15K	R76	76-184-01	180K						
C45	10A333-01	.033uF	50V	R5	76-105-01	1M	R77	76-472-01	4.7K						
C46	10A102-11	.001uF	100V	R6	76-332-01	3.3K	R78	76-184-01	180K						
C47	10A682-01	.0068uF	100V	R7	76-103-01	10K	R79	76-332-01	3.3K						
C48	10A471-11	470pF	100V	R8	76-222-01	2.2K									
C49	10A332-01	.0033uF	100V	R9	76-472-01	4.7K									
C50	10A331-11	330pF	100V	R10	76-102-01	1K									
C51	10A332-01	.0033uF	100V	R11	76-683-01	68K									
C52	10A331-11	330pF	100V	R12	76-103-01	10K									
C53	12R226-32	22uF	35V	R13	76-223-01	22K									
C54	12R225-50	2.2uF	50V	R14	76-333-01	33K									
D1	21-501-01	RED	LED	R15	76-102-01	1K									
D2	21-511-04	YELLOW	LED	R16	76-473-01	47K									
D3	NOT USED			R17	76-334-01	330K									
D4	21-501-01	RED	LED	R18	76-223-01	22K									
D5	NOT USED			R19	76-223-01	22K									
D6	21-502-01	GREEN	LED	R20	76-472-01	4.7K									
D7	21A914-01	1N914		R21	76-103-01	10K									
D8	21A914-01	1N914		R22	76-103-01	10K									
D9	21A914-01	1N914		R23	76-103-01	10K									
D10	21A914-01	1N914		R24	76-472-01	4.7K									
D11	21A146-01	1N746A	3.3V	R25	76-103-01	10K									
D12	21A754-01	1N754A	6.8V	R26	76-223-01	22K									
D13	21A914-01	1N914		R27	76-222-01	2.2K									
D14	21A914-01	1N914		R28	76-103-01	10K									
D15	21A914-01	1N914		R29	76-103-01	10K									
D16	21A914-01	1N914		R30	76-102-01	1K									
D17	21A146-01	1N746A	3.3V	R31	76-682-01	6.8K									
D18	21A914-01	1N914													
D19	21A914-01	1N914													
D20	NOT USED														
D21	NOT USED														
D22	NOT USED														

NOTE: JW'S -XX SEE SYSTEM BOM;
-05 MUST BE WIRE (NO BODY) TO
MAKE GROUND CONNECTION.

SEE SHT 1 FOR REV HISTORY

SIGNATURES:		DATE:	11880 BORMAN DR. ST. LOUIS, MISSOURI 63146	
DRAWN:	S.RADER	12/07/94	PROJECT NAME: B-3/B-3H	
CHK'D:	GM	12/07/94	DRAWING NAME: PREAMP PICTORIAL	
APP'D:	GM	12/07/94	DRAWING NO.	07P538-01
ORIGINAL ISSUED:	V		REV.	4
PLOT DATE:	10/06/98		SCALE:	1:1
PLOT TIME:	12:21:02		SHEET:	2 OF 2
FILE NAME:	53801P4_			