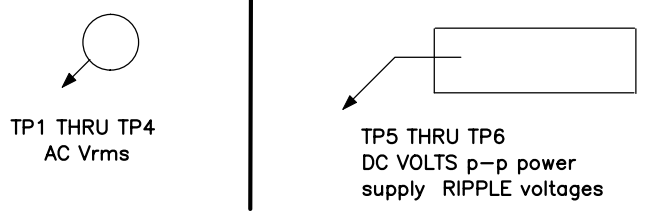


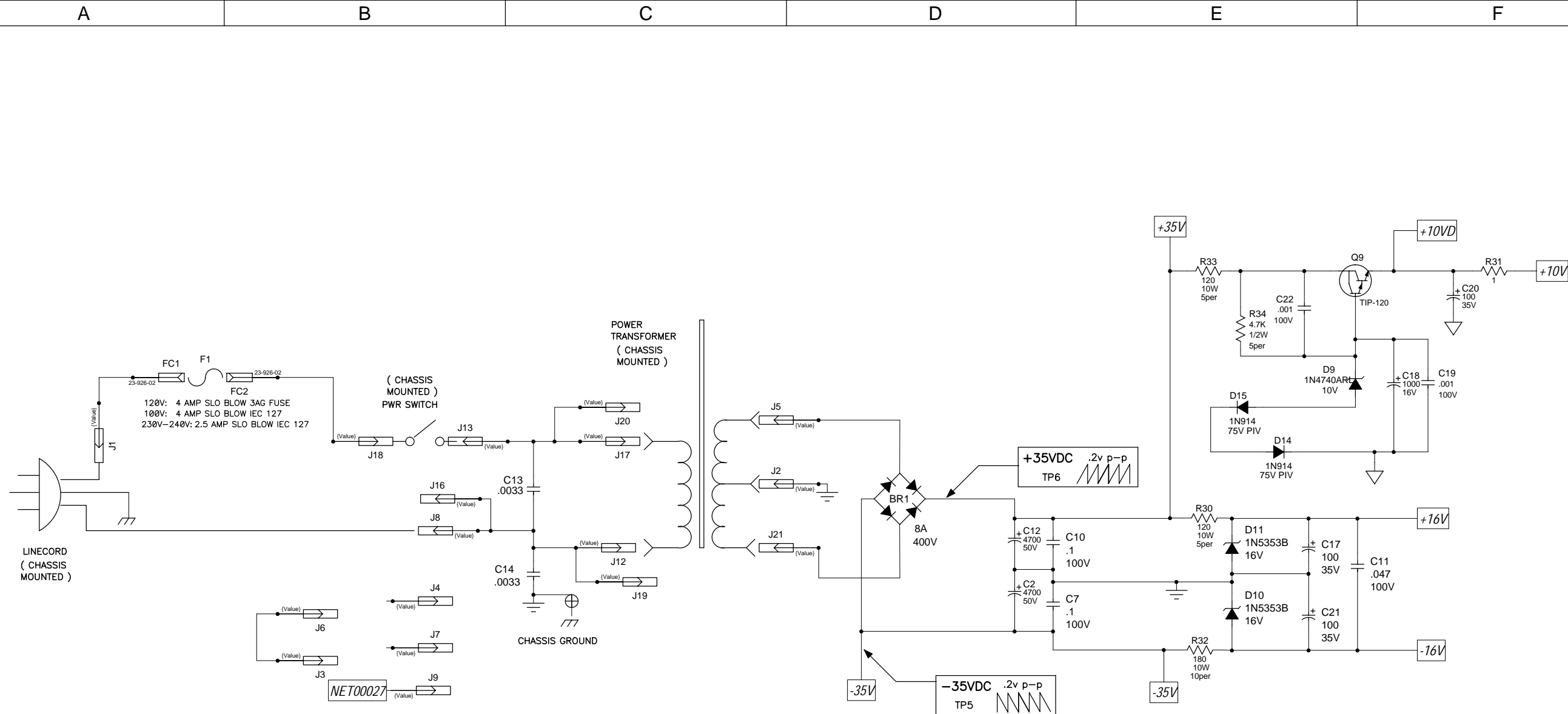
NOTE: SET BIAS VOLTAGE FROM COLD START
ACROSS R12, R16, R20 & R27 15 -20 mV DC
AVERAGE , NO SIGNAL, NO LOAD.

CAUTION:
THIS SCHEMATIC IS PROVIDED FOR USE BY QUALIFIED PERSONNEL.
TO AVOID RISK OF ELECTRIC SHOCK, REFER SERVICING TO QUALIFIED
SERVICE PERSONNEL. DO NOT PERFORM ANY SERVICING BEYOND
THAT EXPLAINED IN THE OPERATING INSTRUCTIONS.

NOTES:
1) CAUTION: SHOCK HAZARD!!
THIS UNIT CONTAINS HAZARDOUS VOLTAGE. DISCONNECT POWER
AND BE SURE POWER SUPPLY IS DISCHARGED BEFORE
TOUCHING INTERNAL PARTS.
2) UNLESS NOTED, RESISTOR VALUES IN OHMS, 1/4W-5% TOL.
CAPACITOR VALUES IN MICROFARADS, 50V-10% TOL.
3) VOLTAGES ARE MEASURED WITH 1 MEGOHM OSCILLOSCOPE
AND 10 MEGOHM DIGITAL VOLTMETER.




0	2/24/04	CONTROL ISSUE				
A	1/20/04	INITIAL ISSUE				
REV	Date	DESCRIPTION	Ecr(s)/Ecn(s)	Chgd By	Appvd by	Date
THE INFORMATION CONTAINED ON THIS DRAWING IS PROPRIETARY TO ST. LOUIS MUSIC, INC.						
Signatures:			Date:		 1901 Congressional Drive, St. Louis, MO 63146	
Drawn: DJR			5/28/03			
Checked: -			-		First Used On: -	
Released: -			-		-	
Plot Date: Tue Feb 24, 2004		Drawing Size: C		Drawing Title:		
Plot Time: 07:14:52		Drawing Type: Schematic		SCHEMATIC -BASS AMP		
Tolerance:		Class Code: NONE		Drawing Number:		
Sheet 1 of 2				07S473		



CAUTION:
 THIS SCHEMATIC IS PROVIDED FOR USE BY QUALIFIED PERSONNEL.
 TO AVOID RISK OF ELECTRIC SHOCK, REFER SERVICING TO QUALIFIED
 SERVICE PERSONNEL. DO NOT PERFORM ANY SERVICING BEYOND
 THAT EXPLAINED IN THE OPERATING INSTRUCTIONS.

- NOTES:
- 1) CAUTION: SHOCK HAZARD!!
 THIS UNIT CONTAINS HAZARDOUS VOLTAGE. DISCONNECT POWER
 AND BE SURE POWER SUPPLY IS DISCHARGED BEFORE
 TOUCHING INTERNAL PARTS.
 - 2) UNLESS NOTED, RESISTOR VALUES IN OHMS, 1/4W-5% TOL.
 CAPACITOR VALUES IN MICROFARADS, 50V-10% TOL.
 - 3) VOLTAGES ARE MEASURED WITH 1 MEGOHM OSCILLOSCOPE
 AND 10 MEGOHM DIGITAL VOLTMETER.

0	2/24/04	CONTROL ISSUE				
A	1/20/04	INITIAL ISSUE				
REV	Date	DESCRIPTION	Ecr(s)/Ecn(s)	Chgd By	Appvd by	Date
THE INFORMATION CONTAINED ON THIS DRAWING IS PROPRIETARY TO ST. LOUIS MUSIC, INC.						
Signatures:			Date:		 1901 Congressional Drive, St. Louis, MO 63146	
Drawn: DJR		5/28/03				
Checked: -			-		First Used On: -	
Released: -			-		-	
Plot Date: Tue Feb 24, 2004		Drawing Size: C		Drawing Title:		
Plot Time: 07:14:54		Drawing Type: Schematic		SCHEMATIC -BASS AMP		
Tolerance:		Class Code: NONE		Drawing Number:		
		Sheet 2 of 2		07S473		