

7

6

5

4

3

1

REVISIONS					
ECO#	REV:	DESCRIPTION	REV. BY:	APP. BY:	DATE

D

D

C

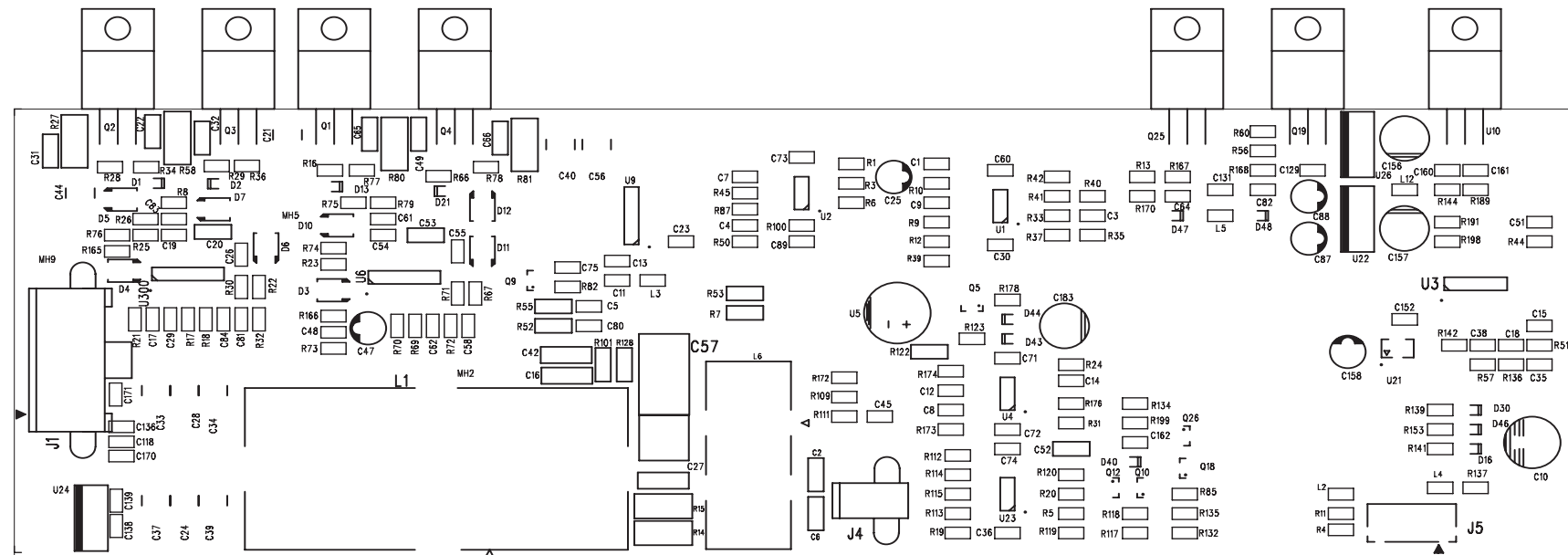
C


B

B

A

A



APPROVALS	DATE	 LOUD TECHNOLOGIES INC. WOODINVILLE, WA, USA PCB ASSY, BA300/BA600 AMP
DRAWN: RB	19-03-08	
CHECKED:		
MP ENGINEERING:		
MATERIAL:		
MANUFACTURING:		DWG. NO.
MFG ENGINEERING:		REV. B00
ISSUED:		SHEET 1 OF 2

THE INFORMATION CONTAINED HEREIN IS PROPRIETARY AND CONFIDENTIAL PROPERTY OF LOUD TECHNOLOGIES INC.

7

6

5

4

3

2

1



BA600/115

©2008 LOUD Technologies Inc. All rights reserved

Amplifier PCB Assemblies

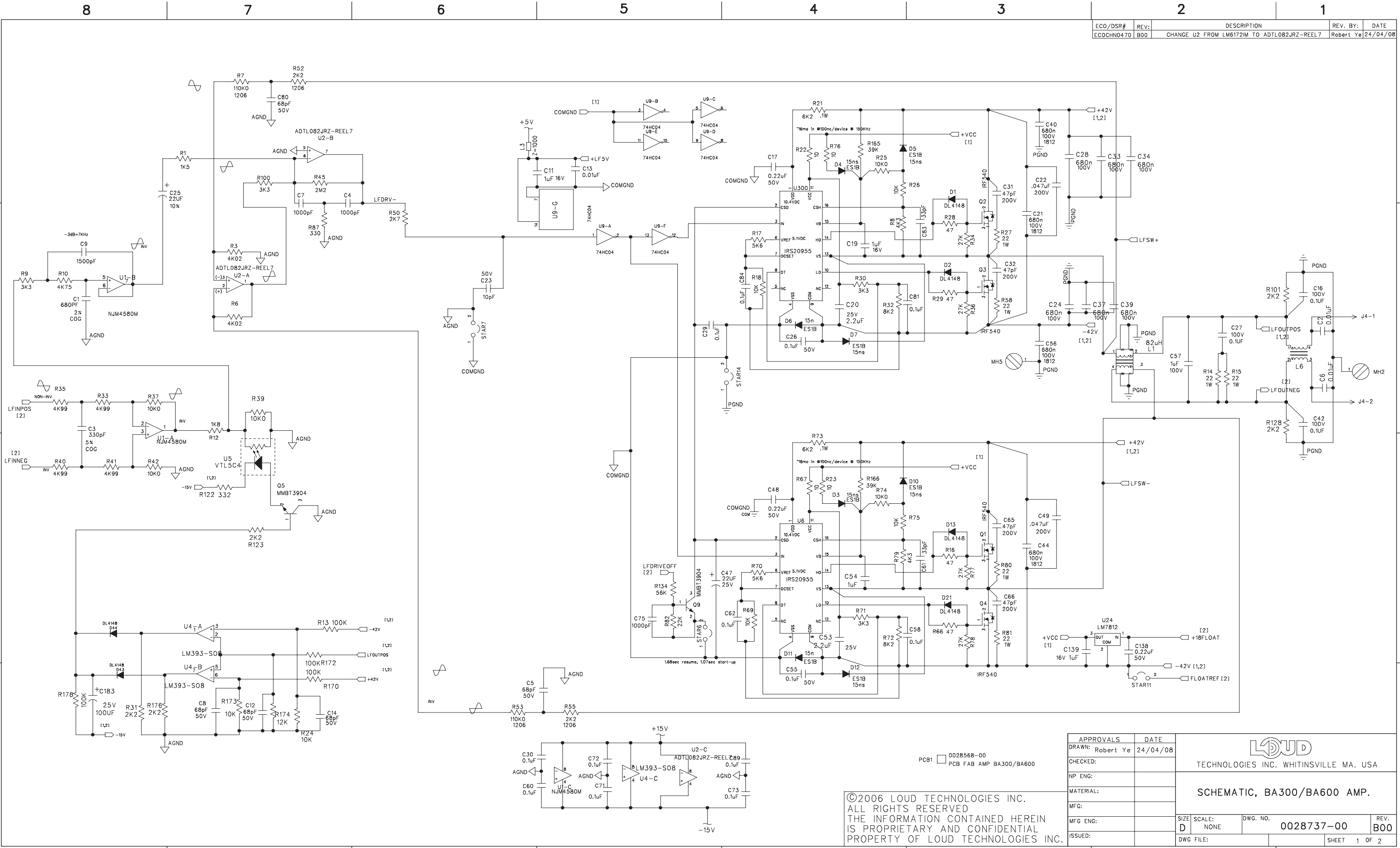
PAGE 1

D

C

B

A



APPROVALS	DATE
DRAWN: Robert Ye	24/04/08
CHECKED:	
MP ENG:	
MATERIAL:	
MFG:	
MFG ENG:	
ISSUED:	

 TECHNOLOGIES INC. WHITINSVILLE MA. USA	
SCHEMATIC, BA300/BA600 AMP.	
SIZE: D	SCALE: NONE
DWG. NO. 0028737-00	REV. B00
DWG FILE:	SHEET 1 OF 2

©2006 LOUD TECHNOLOGIES INC. ALL RIGHTS RESERVED. THE INFORMATION CONTAINED HEREIN IS PROPRIETARY AND CONFIDENTIAL PROPERTY OF LOUD TECHNOLOGIES INC.



BA600/115

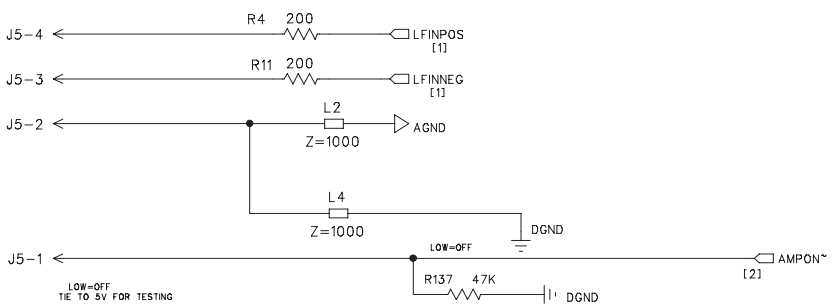
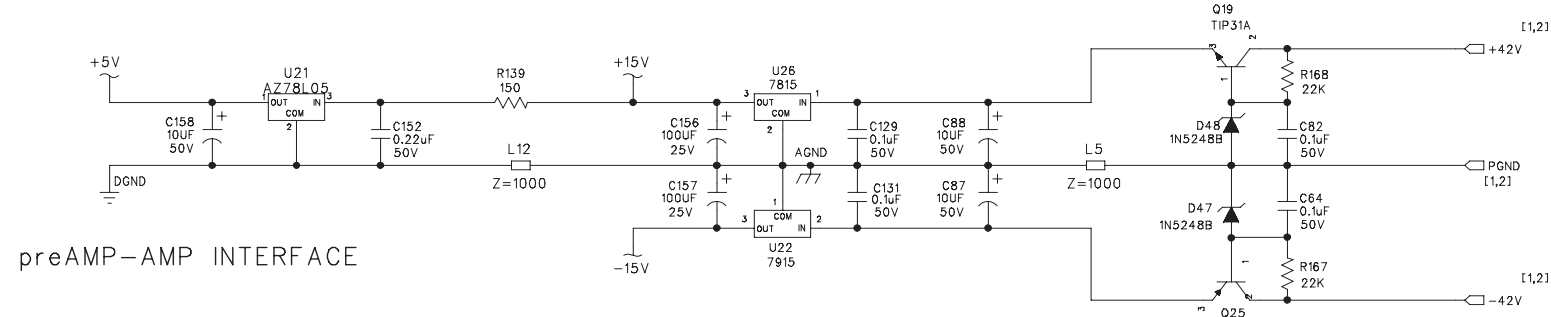
©2008 LOUD Technologies Inc. All rights reserved

Amplifier PCB Assemblies

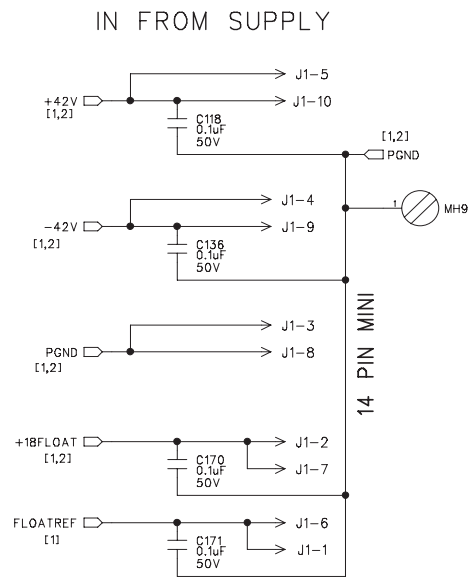
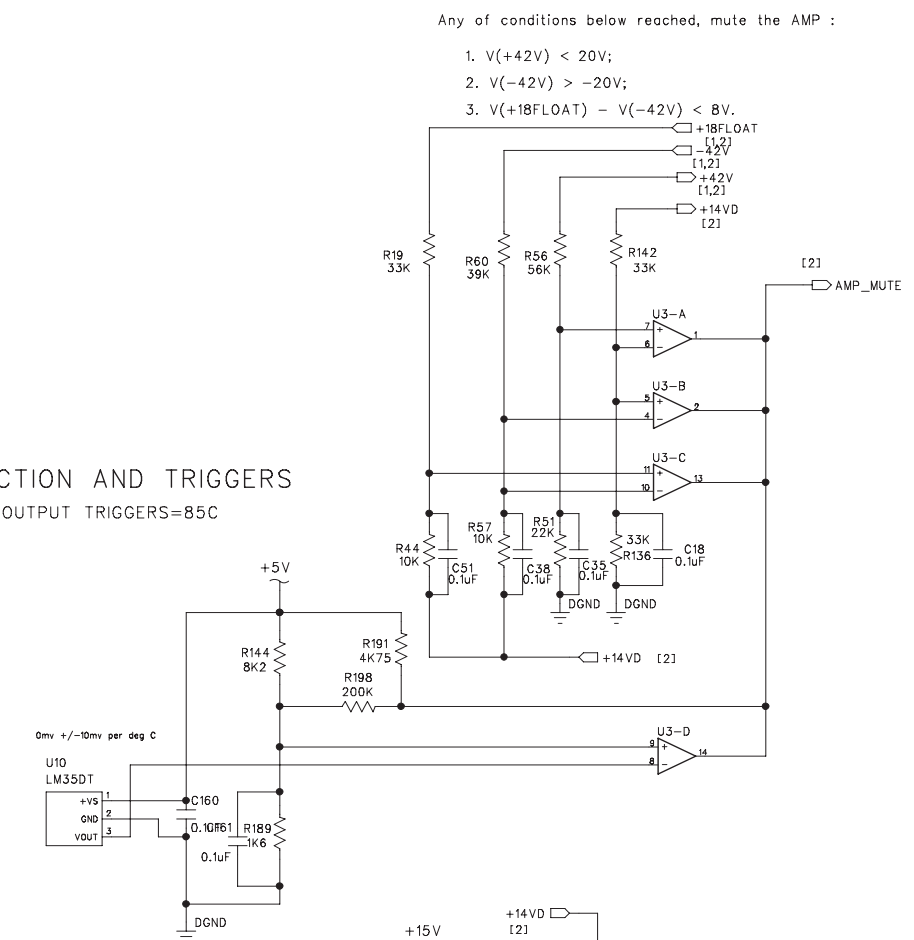
PAGE 2

ECO/DSR#	REV:	DESCRIPTION	REV. BY:	DATE
ECOCHN0470	B00	CHANGE U2 FROM LM6172IM TO ADTL082JRZ-REEL7	Robert Ye	24/04/08

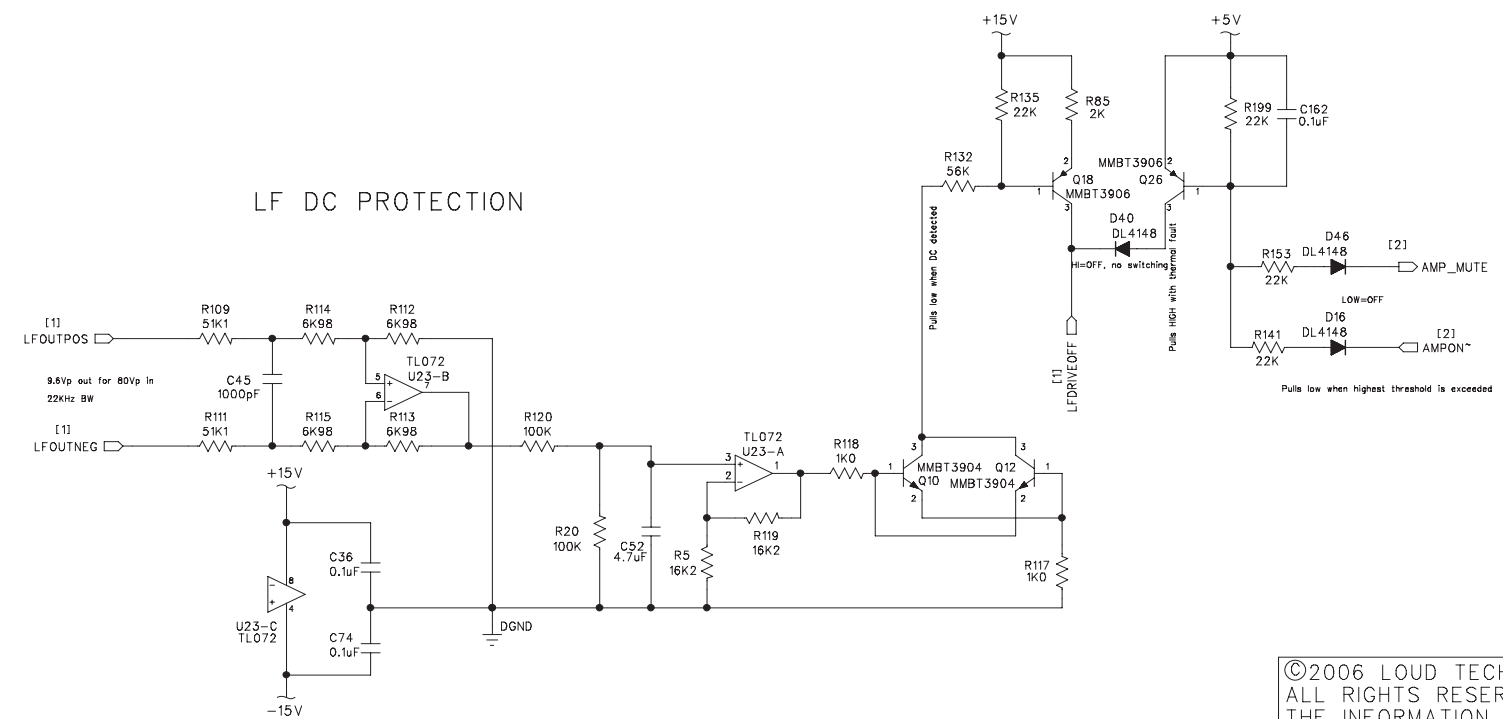
preAMP-AMP INTERFACE



THERMAL DETECTION AND TRIGGERS
OUTPUT PARADIGM: OUTPUT TRIGGERS=85C



LF DC PROTECTION



APPROVALS	DATE	 TECHNOLOGIES INC. WHITINSVILLE MA. USA			
DRAWN: Robert Ye	24/04/08				
CHECKED:		SCHEMATIC, BA300/BA600 AMP.			
NP ENG:					
MATERIAL:					
MFG:					
MFG ENG:		SIZE: D	SCALE: NONE	DWG. NO. 0028737-00	REV. B00
ISSUED:		DWG FILE:		SHEET 2 OF 2	

©2006 LOUD TECHNOLOGIES INC.
ALL RIGHTS RESERVED
THE INFORMATION CONTAINED HEREIN
IS PROPRIETARY AND CONFIDENTIAL
PROPERTY OF LOUD TECHNOLOGIES INC.

