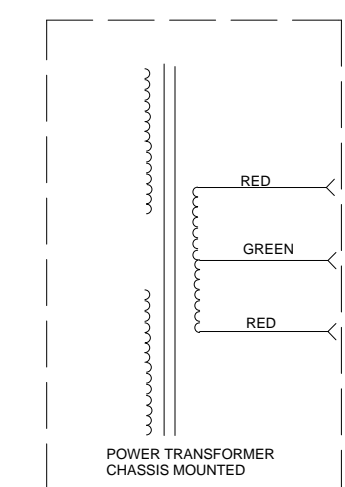
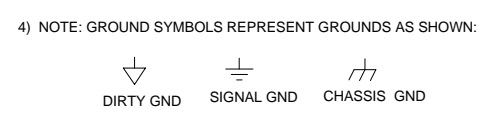


TEST POINT CONDITIONS:  
 INPUT SIGNAL AT J9 PIN 2.  
 1V P-P @ 1KHz SINE WAVE  
 J9 PIN 3 CONNECTED TO J9 PIN 4,  
 120VAC LINE VOLTAGE, NO LOAD.

TUNER/PRE LINE OUT  
 EFFECTS SEND  
 EFFECTS RETURN  
 PREAMP OUT  
 LIMITER  
 PREAMP GROUND  
 +16V  
 -16V  
 DIRTY GROUND  
 LIMIT LED



ASSY PART # 07-388-01  
 ASSY PART # 07-388-02  
 ASSY PART # 07-388-03



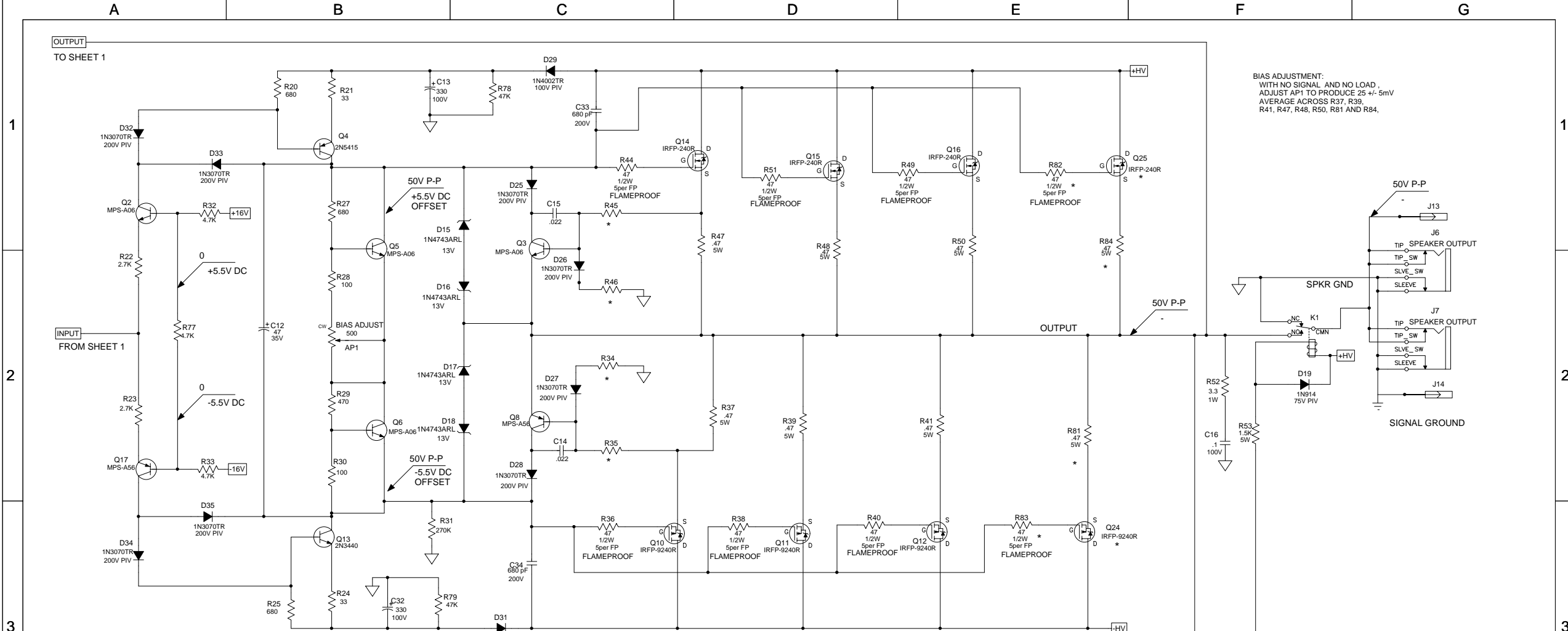
5) NOTE: TEST POINTS ARE FOR -01 ASSY. OTHER ASSYS ARE SIMILAR.  
 6) \* SEE PARTS LIST.

Power Table		
RefDes	+16V	-16V
IC2	8	4
IC3	4	11
IC4	8	4

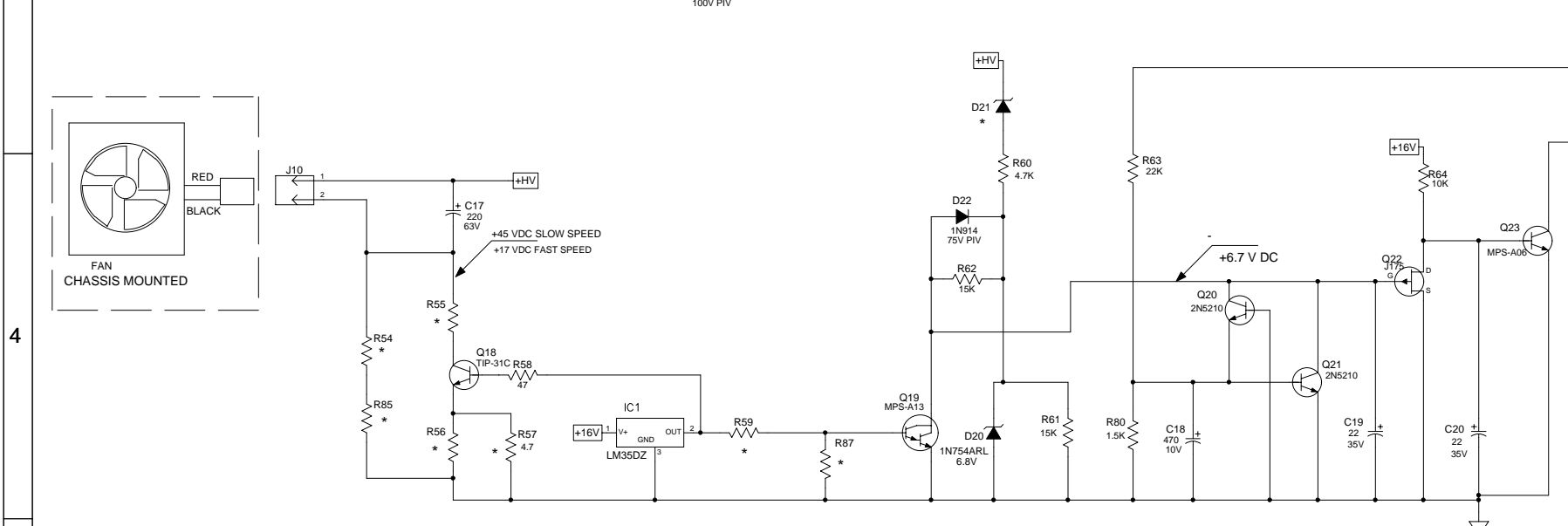
CAUTION:  
 THIS SCHEMATIC IS PROVIDED FOR USE BY QUALIFIED PERSONNEL.  
 TO AVOID RISK OF ELECTRIC SHOCK, REFER SERVICING TO QUALIFIED  
 SERVICE PERSONNEL. DO NOT PERFORM ANY SERVICING BEYOND  
 THAT EXPLAINED IN THE OPERATING INSTRUCTIONS.

NOTES:  
 1) CAUTION: SHOCK HAZARD!!  
 THIS UNIT CONTAINS HAZARDOUS VOLTAGE. DISCONNECT POWER  
 AND BE SURE POWER SUPPLY IS DISCHARGED BEFORE  
 TOUCHING INTERNAL PARTS.  
 2) UNLESS NOTED, RESISTOR VALUES IN OHMS, 1/8W-5% TOL.  
 CAPACITOR VALUES IN MICROFARADS, 50V-10% TOL.  
 3) VOLTAGES ARE MEASURED WITH 1 MEGOHM OSCILLOSCOPE  
 AND 10 MEGOHM DIGITAL VOLTMETER.

2	7/20/06	CHGD PN J13, 14	N02136	WFB		
1	9/23/04	CORRECTED -02, ADDED -03 AS SHOWN.	N01612	REM		
0	2/13/04	CONTROL ISSUE				
REV	Date	DESCRIPTION	Ecr(s)/Ecn(s)	Chgd By	Appvd by	Date
THE INFORMATION CONTAINED ON THIS DRAWING IS PROPRIETARY TO ST. LOUIS MUSIC, INC.						
Signatures:			Date:			
Drawn: REM			08/08/03		11880 Borman Drive, St. Louis, MO 63146	
Checked:					First Used On:	
Released:						
Plot Date: Thu Jul 20, 2006		Drawing Size: C		Drawing Title: SCHEMATIC - POWER AMP		
Plot Time: 09:16:46		Drawing Type: Schematic		Drawing Number: 07S388		
Tolerance:		Class Code: NONE		Sheet 1 of 2		



BIAS ADJUSTMENT:  
WITH NO SIGNAL AND NO LOAD,  
ADJUST AP1 TO PRODUCE 25 +/- 5mV  
AVERAGE ACROSS R37, R39,  
R41, R47, R48, R50, R81 AND R84.



CAUTION:  
THIS SCHEMATIC IS PROVIDED FOR USE BY QUALIFIED PERSONNEL.  
TO AVOID RISK OF ELECTRIC SHOCK, REFER SERVICING TO QUALIFIED  
SERVICE PERSONNEL. DO NOT PERFORM ANY SERVICING BEYOND  
THAT EXPLAINED IN THE OPERATING INSTRUCTIONS.

NOTES:  
1) CAUTION: SHOCK HAZARD!!  
THIS UNIT CONTAINS HAZARDOUS VOLTAGE. DISCONNECT POWER  
AND BE SURE POWER SUPPLY IS DISCHARGED BEFORE  
TOUCHING INTERNAL PARTS.  
2) UNLESS NOTED, RESISTOR VALUES IN OHMS, 1/8W-5% TOL.  
CAPACITOR VALUES IN MICROFARADS, 50V-10% TOL.  
3) VOLTAGES ARE MEASURED WITH 1 MEGOHM OSCILLOSCOPE  
AND 10 MEGOHM DIGITAL VOLTMETER.

4) NOTE: GROUND SYMBOLS REPRESENT GROUNDS AS SHOWN:  
DIRTY GND    SIGNAL GND    CHASSIS GND

5) NOTE: TEST POINTS ARE FOR -01 ASSY. OTHER ASSYS ARE SIMILAR.

6) \* SEE PARTS LIST.

2	7/20/06	CHGD PN J13, 14	N02136	WFB		
1	9/23/04	CORRECTED -02, ADDED -03 AS SHOWN.	N01612	REM		
0	2/13/04	CONTROL ISSUE				
REV	Date	DESCRIPTION	Ecr(s)/Ecn(s)	Chgd By	Appvd by	Date
THE INFORMATION CONTAINED ON THIS DRAWING IS PROPRIETARY TO ST. LOUIS MUSIC, INC.						
Signatures:			Date:		 11880 Borman Drive, St. Louis, MO 63146	
Drawn: REM			08/08/03			
Checked:			First Used On:			
Released:			Drawing Title: SCHEMATIC - POWER AMP			
Plot Date: Thu Jul 20, 2006			Drawing Size: C		Drawing Number: 07S388	
Plot Time: 09:16:46			Drawing Type: Schematic			
Tolerance:			Class Code: NONE			
			Sheet 2 of 2			