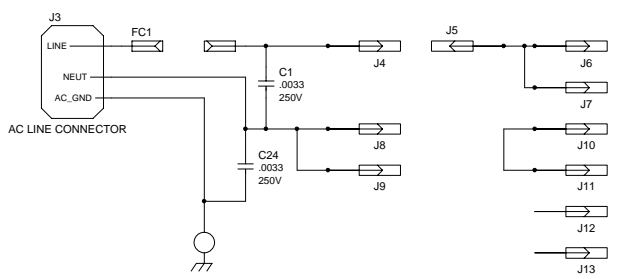


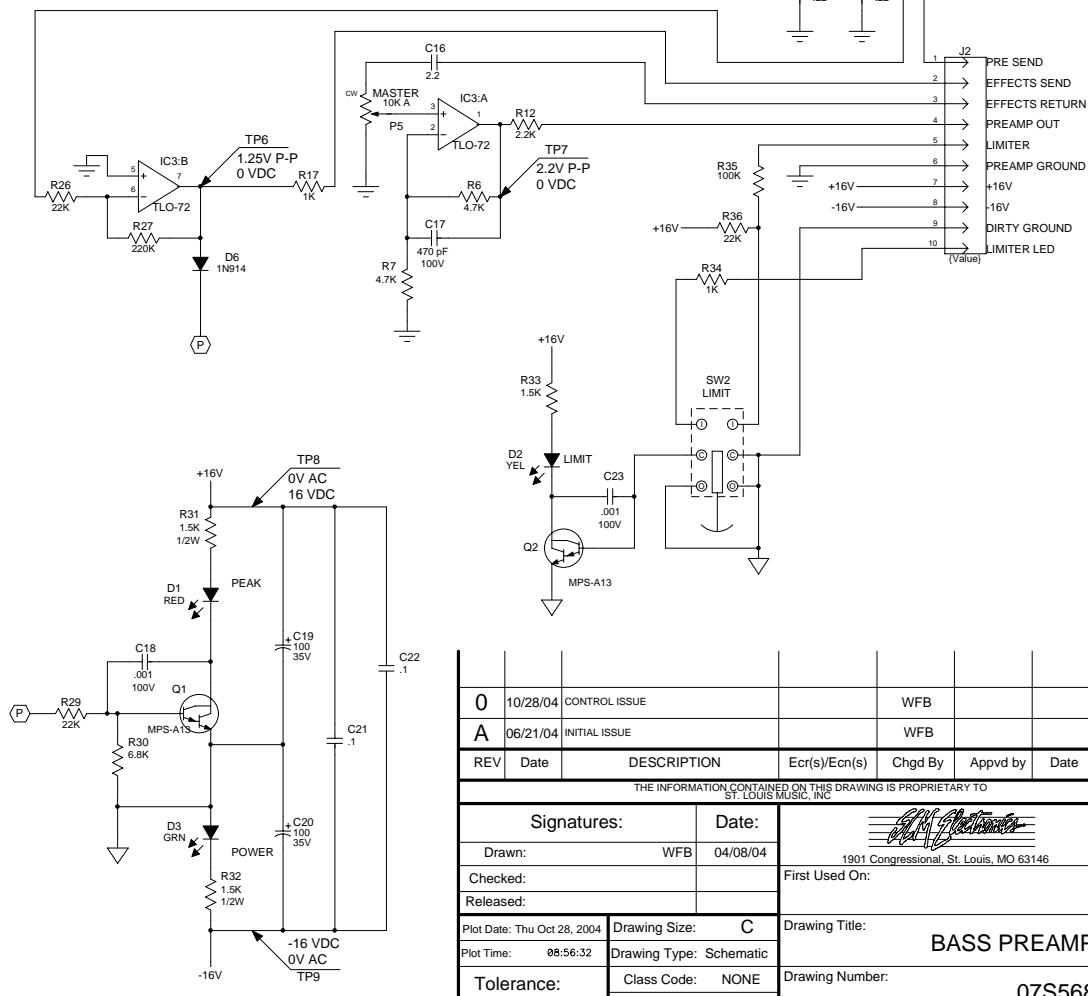
TEST CONDITIONS:
 1 GAIN, MASTER @ 10
 2 TONES @ 5
 3 BUTTONS OUT
 4 1kHz SIGNAL IN (25mV p-p)

Ref Des	Device(Type)	Package	-16V	+16V
IC1	3707201_	8DIP_3	4	8
IC2	3707201_	8DIP_3	4	8
IC3	3707201_	8DIP_3	4	8



CAUTION:
 THIS SCHEMATIC IS PROVIDED FOR USE BY QUALIFIED PERSONNEL TO AVOID RISK OF ELECTRIC SHOCK, REFER SERVICING TO QUALIFIED SERVICE PERSONNEL. DO NOT PERFORM ANY SERVICING BEYOND THAT EXPLAINED IN THE OPERATING INSTRUCTIONS.

NOTES:
 1) CAUTION- SHOCK HAZARD!! THIS UNIT CONTAINS HAZARDOUS VOLTAGE. DISCONNECT POWER AND BE SURE POWER SUPPLY IS DISCHARGED BEFORE TOUCHING INTERNAL PARTS.
 2) UNLESS NOTED, RESISTOR VALUES IN OHMS, 1/4W-5% TOL. CAPACITOR VALUES IN MICROFARADS, 50V-10% TOL.
 3) VOLTAGES ARE MEASURED WITH 1 MEGOHM OSCILLOSCOPE AND 10 MEGOHM DIGITAL VOLTMETER.



REV	Date	DESCRIPTION	Ecr(s)/Ecn(s)	Chgd By	Appvd by	Date
0	10/28/04	CONTROL ISSUE				WFB
A	06/21/04	INITIAL ISSUE				WFB

THE INFORMATION CONTAINED ON THIS DRAWING IS PROPRIETARY TO ST. LOUIS MUSIC, INC.

Signatures:	Date:	 1901 Congressional, St. Louis, MO 63146
Drawn: WFB	04/08/04	
Checked:		First Used On:
Released:		Drawing Title:
Plot Date: Thu Oct 28, 2004	Drawing Size: C	Drawing Number:
Plot Time: 08:56:32	Drawing Type: Schematic	
Tolerance:	Class Code: NONE	
	Sheet 1 of 1	

BASS PREAMP
07S568