
AMPEG SERVICE MANUAL

B100, G100 AMPLIFIERS

G100 & B100 AMPLIFIER SPECIFICATIONS

Power Output:

20 watts RMS continuous at 5% total harmonic distortion (T.H.D.) into an 8 ohms load over the 100 to 20,000 Hertz bandwidth.

Control Facilities:

Two inputs
Volume control
Treble control
Bass control
Pilot light
Power switch

Tone Control Range:

Treble ± 15 dB @ 4,000 Hertz
Bass +12 -9 dB @ 80 Hertz

Circuitry:

Solid state

Frequency Response (1 watt):

± 1 dB 100 to 20,000 Hertz

Signal to Noise Ratio (S/N):

-66 dB below full power

Sensitivity/Input Impedance:

Input sensitivity is .092 for full power.
Input overload is 0.7 volts for 5% T.H.D.

Power Supply Requirements:

Power consumption at full power is 38 watts.

Weight:

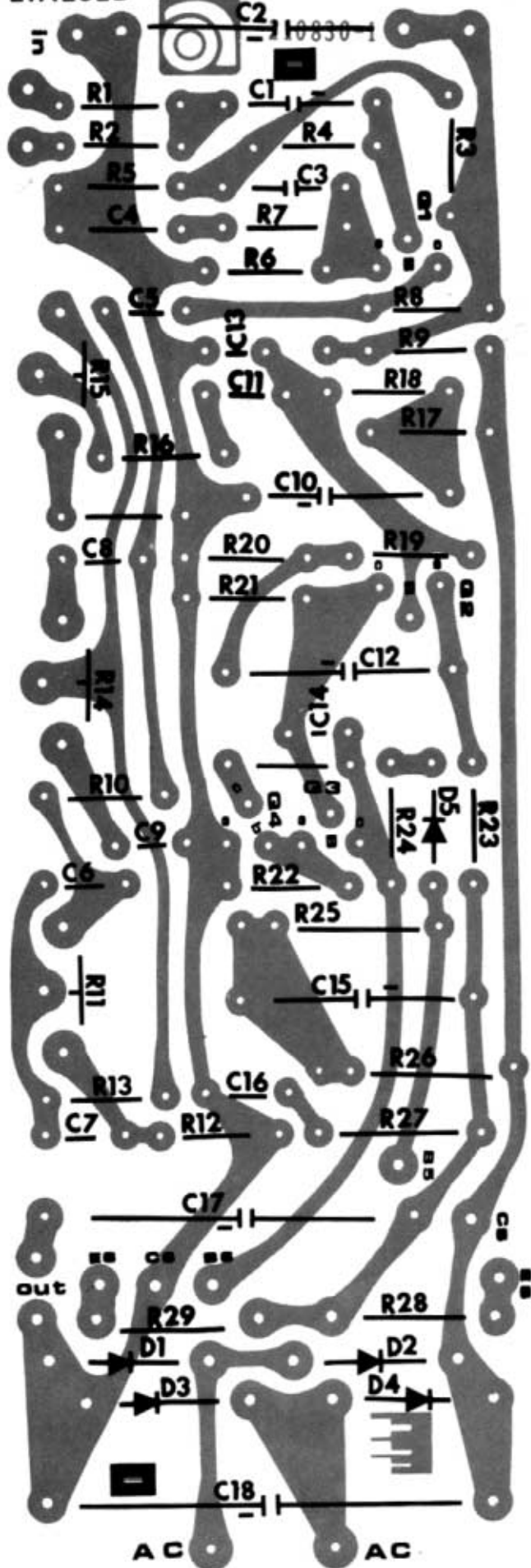
G-100: 27 lbs. (13 Kg.)
B-100: 29 lbs. (12 Kg.)

Dimensions:

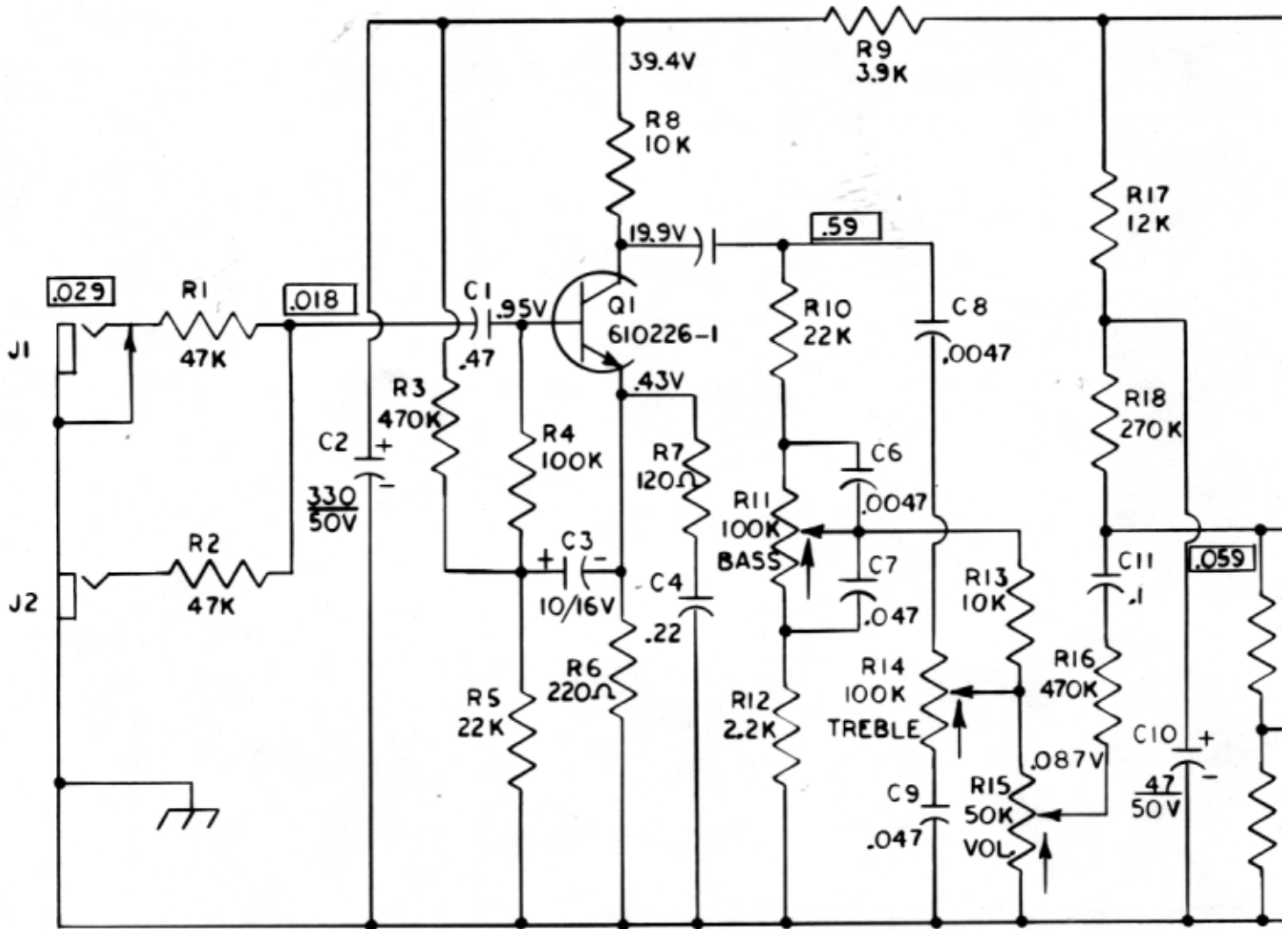
18.5" W x 18" H x 8.7" D
47 cm. x 45.7 cm. x 22.2 cm.



EIA232D



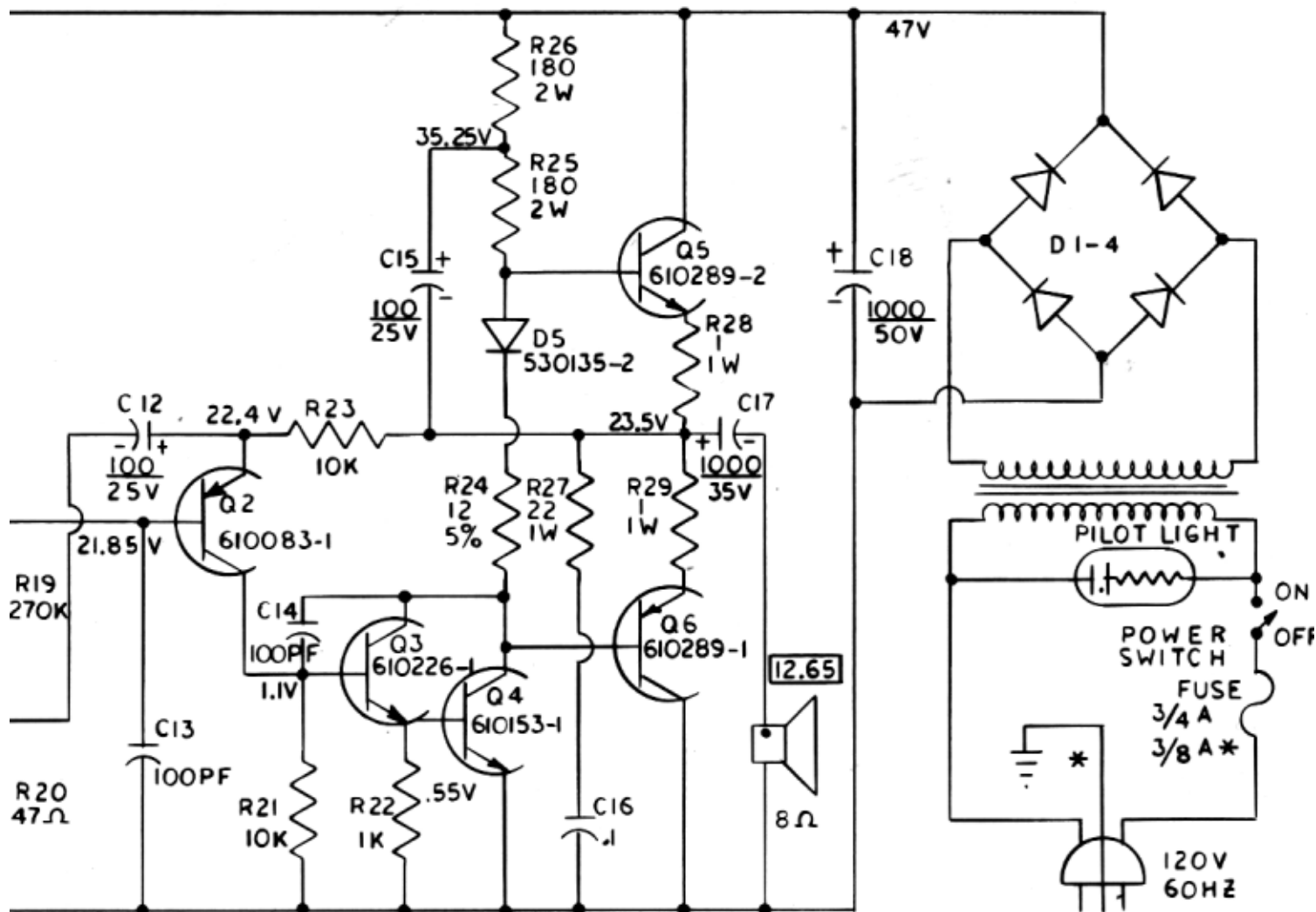
B100 - G100 P.C. BOARD
(VIEWED FROM COPPER SIDE)



NOTES: UNLESS OTHERWISE SPECIFIED

1. Capacitance values are in microfarads, 10%, 100V.
2. Resistors are 1/2W, 10%, composition.
3. DC voltage readings with no signal applied, using a 20,000 Ohm/Volt voltmeter.
4. Typical signal voltage shown in boxes.
5. Actual circuit may vary slightly due to normal production changes.
6. * Indicates export version only.

SCHEMATIC DIAGRAM (REV. A)



WARNING

For maximum safety, reliability and performance, all parts must be replaced by those having identical specifications. Under no circumstances may the original design be modified or altered without permission from the Ampeg Company.

**MODELS B100 AND G100
REPLACEMENT PARTS LIST**

Note: Replacement parts may differ in part number or value from the factory installed part. In either event the replacement part has been chosen to provide equal or improved performance.

REF.	DESCRIPTION	PART NO.	REF.	DESCRIPTION	PART NO.
CONTROLS			MISCELLANEOUS		
R11	Bass	220663-6		Glide	121465-1
R14	Treble	220663-6		Handle	121467-5
R15	Volume	220663-5		Logo	142911-3
				Knob	142902-1
ELECTROLYTIC CAPACITORS				Power Switch	160804-10
C2	330MFD 50V	270117-3250		3/4 Amp Fuse	180865-5075
C3	10MFD 16V	270117-1116		Pilot Light	181572-4
C10	47MFD 50V	270117-5250	J1	Input Jack	181573-3
C12	100MFD 35V	270117-1235	J2	Input Jack	181573-2
C15	100MFD 35V	270117-1235			
C17	1000MFD 35V	270117-1335			
C18	1000MFD 50V	270117-1350			
TRANSFORMER					
	Power	300728-1			
SEMICONDUCTORS					
D1	Silicon Diode	530171-1001			
D2	Silicon Diode	530171-1001			
D3	Silicon Diode	530171-1001			
D4	Silicon Diode	530171-1001			
D5	Bias Diode	530135-2			
Q1	NPN Silicon	610226-1			
Q2	PNP Silicon	610083-5			
Q3	NPN Silicon	610226-1			
Q4	NPN Silicon	610153-1			
Q5	NPN Silicon	610289-2			
Q6	PNP Silicon	610289-1			
SPEAKERS					
	10" 8 Ohm B100	580159-1			
	10" 8 Ohm G100	580168-1			