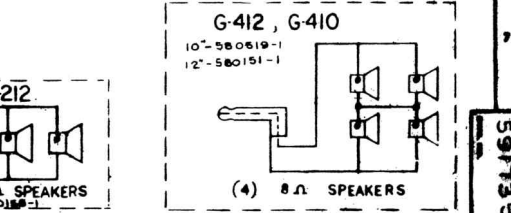
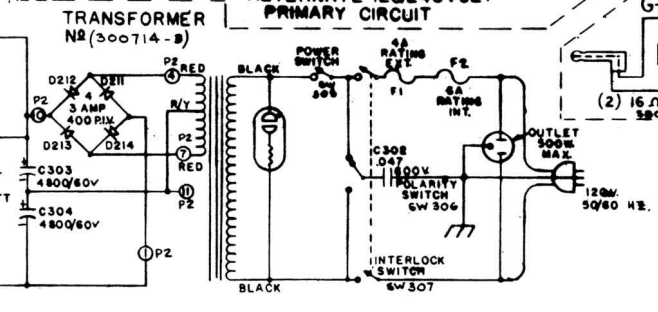
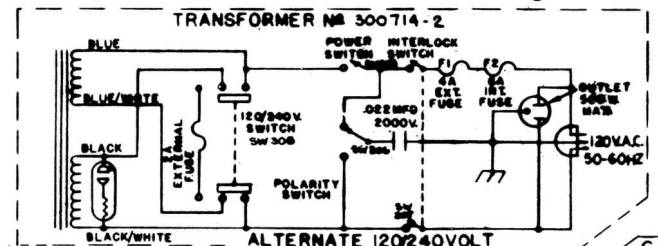


NOTES:
 -ALL RESISTORS IN OHMS 1/2 W 10% UNLESS OTHERWISE SPECIFIED.
 -ALL CAPACITORS IN MFD. AND 250 VOLT UNLESS OTHERWISE SPECIFIED.
 -SEMICONDUCTORS ARE SELECTED, FACTORY REPLACEMENTS RECOMMENDED. UNSELECTED SEMICONDUCTORS MAY EXHIBIT IMPROPER OPERATION OR SHORT LIFE.
 -CIRCUIT OF CHASSIS MAY VARY SLIGHTLY FROM THAT SHOWN HERE DUE TO NORMAL PRODUCTION CHANGES.
 -NUMBERS IN PARENTHESIS REFER TO MAGNAVOX PART NUMBERS.
 -D.C. VOLTAGE READINGS WITH NO SIGNAL APPLIED USING A 20,000 OHM PER VOLT VOLTMETER AND ARE POSITIVE WITH RESPECT TO CHASSIS GROUND UNLESS OTHERWISE SPECIFIED.
 -ADJUST R213 BIAS POT. TO READ 0.11 VOLTS D.C. WITH NO LOAD CONNECTED AND NO SIGNAL APPLIED ACROSS PINS 6 AND 9 OF OUTPUT CONNECTOR.
 -INPUT SENSITIVITY WITH CONTROLS SET FOR FLAT FREQUENCY RESPONSE, IS 11.5 MILLIVOLTS RMS IN, FOR 28.28 VOLTS NOMINAL OUTPUT WITH VOLUME AT MAXIMUM. ACCEPTABLE OUTPUT LIMITS ARE 25.4 VOLTS TO 31.1 VOLTS.
 -POWER OUTPUT SHOULD BE AT LEAST 120 WATTS RMS CONTINUOUS AT LESS THAN 0.2% T.H.D.
 -TREMLO ADJUSTMENT PROCEDURE:
 1. SET TONE CONTROLS FLAT; SPEED, INTENSITY, DIMENSION & R127 CCW; OPEN TREMLO FOOT SWITCH (ON); WITH .01V/400 Hz. INTO HIGH GAIN JACK CHANNEL 2; SET OUTPUT FOR 10 VOLTS RMS.
 2. CLOSE TREMLO FOOT SWITCH; TURN INTENSITY CW; ADJUST R137 FOR 5 VOLTS RMS.
 3. SET SPEED CW; OPEN TREMLO SWITCH; REMOVE INPUT SIGNAL. SET VOLUME CONTROL CCW; ADJUST R136 FOR MINIMUM AT LOAD.

SEMICONDUCTOR CROSS REFERENCE:

IC 1	610364H	RAYTHEON
IC 2, IC 103	610288-2	FAIRCHILD
IC 101	610286-1	FAIRCHILD
IC 102	610287-1	FAIRCHILD
IC 104	610288-1	RCA
IC 105	610289-1	RCA
Q101, Q208	2N3584	FAIRCHILD
Q102, Q103	2N3856A	GE
Q201, Q202, Q203	2N4249	FAIRCHILD
Q204	610284-3	MOTOROLA
Q208	610284-1	MOTOROLA
Q207	2N3638	FAIRCHILD
Q301	610283-4	FAIRCHILD
Q302	610283-5	GE
Q303	2N5822	MOTOROLA
Q304	2N5828	MOTOROLA
Q305	610289-2	RCA
Q401	40389	RCA
Q402	40391	RCA



ADDITIONAL MAGNAVOX SPECIFICATIONS		MATERIAL		FINISH																																																							
<table border="1"> <tr> <td colspan="6">TOLERANCES - UNLESS OTHERWISE SPECIFIED</td> </tr> <tr> <td>DECIMALS</td> <td>± TOL.</td> <td>FRACTIONS</td> <td>± TOL.</td> <td colspan="2"></td> </tr> <tr> <td>.XX</td> <td>.005</td> <td>UP TO 6</td> <td>1/40</td> <td colspan="2"></td> </tr> <tr> <td>.XXX</td> <td>.002</td> <td>6 TO 24</td> <td>1/32</td> <td colspan="2"></td> </tr> <tr> <td>.XXX</td> <td>.010</td> <td>ABOVE 24</td> <td>1/16</td> <td colspan="2"></td> </tr> <tr> <td colspan="2">THREADS - CLASS 2</td> <td colspan="2">PERFORMANCE</td> <td colspan="2"></td> </tr> <tr> <td colspan="2">FIT AFTER PLATING</td> <td colspan="2">DIL. LAR.</td> <td colspan="2"></td> </tr> <tr> <td colspan="2">MACHINE FINISH</td> <td colspan="2">ANGULAR TOL. ± 1/2°</td> <td colspan="2"></td> </tr> <tr> <td colspan="2">DIMENSIONS IN INCHES UNLESS OTHERWISE SPECIFIED ON DRAWING</td> <td colspan="2">DO NOT SCALE DRAWING</td> <td colspan="2"></td> </tr> </table>						TOLERANCES - UNLESS OTHERWISE SPECIFIED						DECIMALS	± TOL.	FRACTIONS	± TOL.			.XX	.005	UP TO 6	1/40			.XXX	.002	6 TO 24	1/32			.XXX	.010	ABOVE 24	1/16			THREADS - CLASS 2		PERFORMANCE				FIT AFTER PLATING		DIL. LAR.				MACHINE FINISH		ANGULAR TOL. ± 1/2°				DIMENSIONS IN INCHES UNLESS OTHERWISE SPECIFIED ON DRAWING		DO NOT SCALE DRAWING			
TOLERANCES - UNLESS OTHERWISE SPECIFIED																																																											
DECIMALS	± TOL.	FRACTIONS	± TOL.																																																								
.XX	.005	UP TO 6	1/40																																																								
.XXX	.002	6 TO 24	1/32																																																								
.XXX	.010	ABOVE 24	1/16																																																								
THREADS - CLASS 2		PERFORMANCE																																																									
FIT AFTER PLATING		DIL. LAR.																																																									
MACHINE FINISH		ANGULAR TOL. ± 1/2°																																																									
DIMENSIONS IN INCHES UNLESS OTHERWISE SPECIFIED ON DRAWING		DO NOT SCALE DRAWING																																																									
THE AMPEO COMPANY																																																											
MODELS G-212, G-410, G-412																																																											
DR. J. DISANO		DATE: 4-3-73		SCALE: 1/8" = 1"																																																							
CHK. L. HUBER		DATE: 4/1/73		D 591735-1																																																							

RELEASED 5-8-79