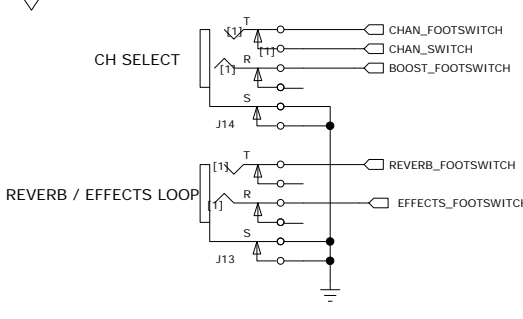


- FC1 400-060-00 FUSE CLIP PCMT 5MM DIA
- FC2 400-060-00 FUSE CLIP PCMT 5MM DIA
- FC3 400-060-00 FUSE CLIP PCMT 5MM DIA
- FC4 400-060-00 FUSE CLIP PCMT 5MM DIA
- FC5 400-060-00 FUSE CLIP PCMT 5MM DIA
- FC6 400-060-00 FUSE CLIP PCMT 5MM DIA
- FC7 400-060-00 FUSE CLIP PCMT 5MM DIA
- FC8 400-060-00 FUSE CLIP PCMT 5MM DIA
- RTV1 2034504 SILICONE RTV
- JMP1 660-002-00 JUMPER WIRE 24GA T&R
- JMP2 660-002-00 JUMPER WIRE 24GA T&R
- JMP3 660-002-00 JUMPER WIRE 24GA T&R
- JMP4 660-002-00 JUMPER WIRE 24GA T&R
- JMP5 660-002-00 JUMPER WIRE 24GA T&R
- JMP6 660-002-00 JUMPER WIRE 24GA T&R
- JMP7 660-002-00 JUMPER WIRE 24GA T&R
- JMP8 660-002-00 JUMPER WIRE 24GA T&R



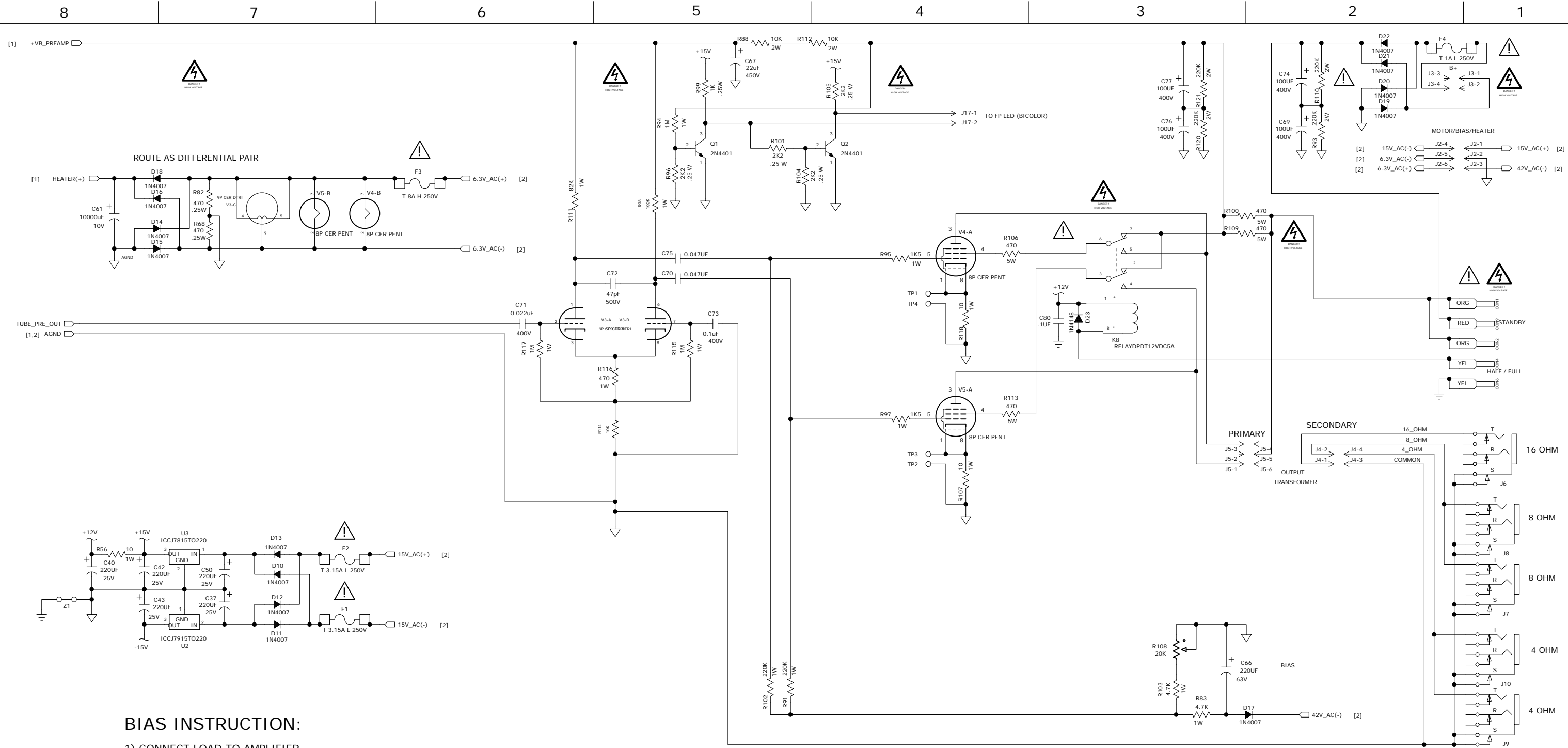
PCB1 2036057-05 PCB FAB VT-52 COMBOVER MAIN  
 SCH1 2036056-XX SCHEMATIC PCB ASSY VT-52 COMBOVER MAIN

© 2010 LOUD TECHNOLOGIES INC.  
 ALL RIGHTS RESERVED  
 THE INFORMATION CONTAINED HEREIN  
 IS PROPRIETARY AND CONFIDENTIAL  
 PROPERTY OF LOUD TECHNOLOGIES INC.

APPROVALS	DATE
DRAWN: dB Wood & RMR	8/23/2012
CHECKED:	
NP ENG:	
MATERIAL:	
MFG:	
MFG ENG:	
ISSUED:	

<b>LOUD Technologies Inc.</b>			
16220 WOOD-RED RD NE WOODINVILLE, WA 98072			
<b>VT-52 COMBOVER MAIN</b>			
<b>TUBE_PRE</b>			
SIZE	SCALE:	DWG. NO.	REV.
D	NONE	2036056-XX	F01
DWG FILE: 2036056-XX-F01.sch			SHEET 1 OF 2



**BIAS INSTRUCTION:**

- 1) CONNECT LOAD TO AMPLIFIER
- 2) TURN R108 (BIAS ADJUSTMENT POT) FULLY CCW (MINIMUM SETTING)
- 3) TURN MASTER CONTROL FULLY CCW (MINIMUM SETTING)
- 4) TURN POWER SWITCH TO ON AND WAIT 60 SECONDS
- 5) TURN STANDBY SWITCH TO FULL POWER
- 6) ENSURE THERE IS NOTHING PLUGGED INTO INPUT CHANNELS
- 7) WAIT 10 MINUTES
- 8) MEASURE VDC ACROSS TP1 AND TP4, WHICH ARE ACROSS THE CATHODE RESISTOR (R118) OF V4-A
- 9) ADJUST R108 UNTIL YOU MEASURE 0.450VDC ACROSS TP1 AND TP4
- 10) MEASURE VDC ACROSS TP2 AND TP3, WHICH ARE ACROSS THE CATHODE RESISTOR (R107) OF V5-A. MEASUREMENT SHOULD FALL BETWEEN 0.400 AND 0.500 VDC
- 11) IF VALUE BETWEEN TP2 AND TP3 OFF OF V5-A IS OUT OF THIS RANGE, THE TUBES ARE NOT PROPERLY MATCHED FOR THE AMPLIFIER

⚠ COMPONENTS NOTED WITH THIS SYMBOL SHALL BE REPLACED ONLY BY THE COMPONENT SPECIFIED. THIS IS REQUIRED TO MAINTAIN PRODUCT SAFETY.

© 2010 LOUD TECHNOLOGIES INC. ALL RIGHTS RESERVED. THE INFORMATION CONTAINED HEREIN IS PROPRIETARY AND CONFIDENTIAL PROPERTY OF LOUD TECHNOLOGIES INC.

APPROVALS	DATE
DRAWN: dB Wood & RMR	8/23/2012
CHECKED:	
NP ENG:	
MATERIAL:	
MFG:	
MFG ENG:	
ISSUED:	

**LOUD Technologies Inc.**  
16220 WOOD-RED RD NE WOODINVILLE, WA 98072

**VT-52 COMBOVER MAIN  
POWER\_AMP**

SIZE: D	SCALE: NONE	DWG. NO.: 2036056-XX	REV. F01
DWG. FILE: 2036056-XX-F01.sch		SHEET 2 OF 2	