

1

2

3

4

1

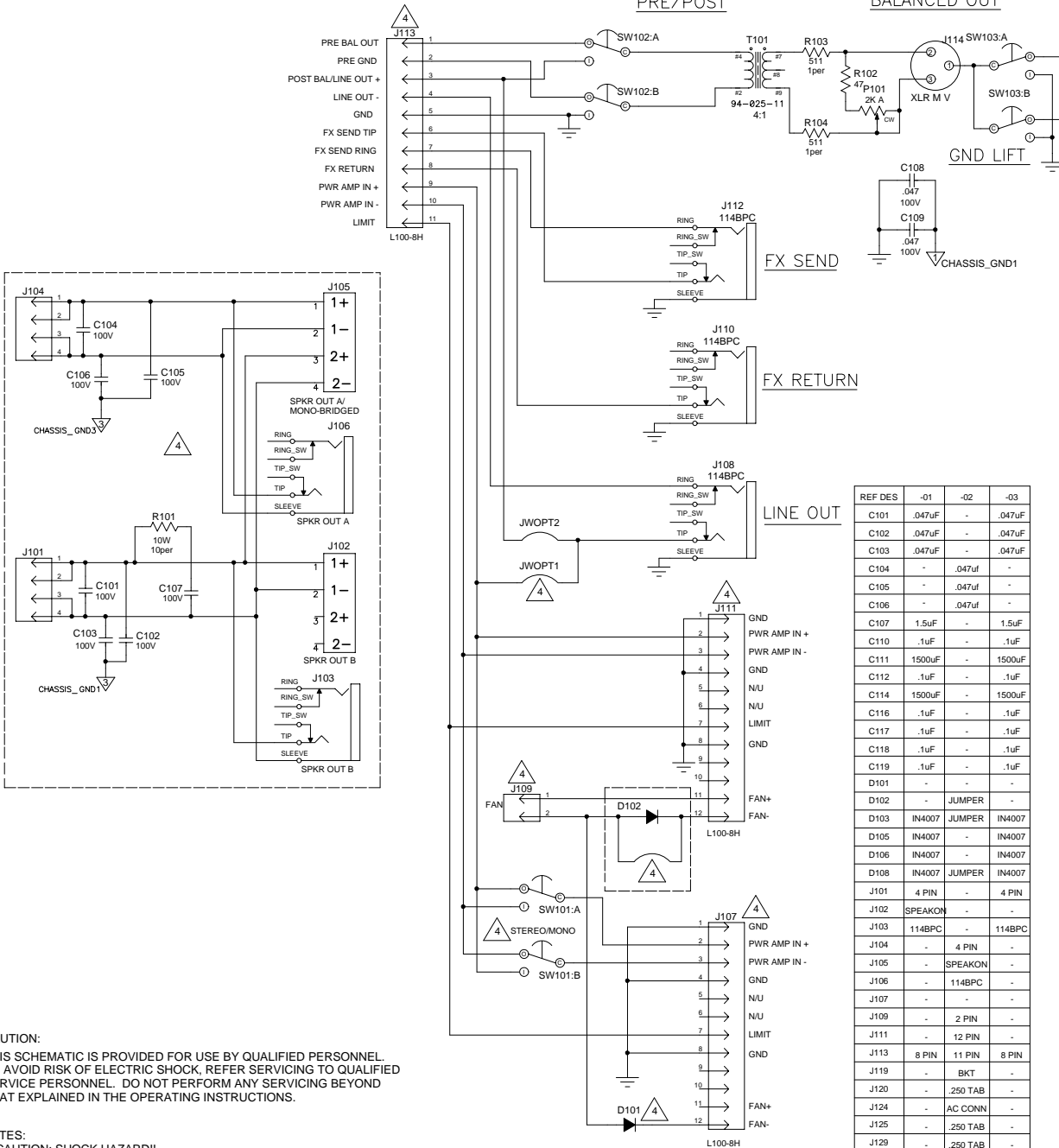
2

3

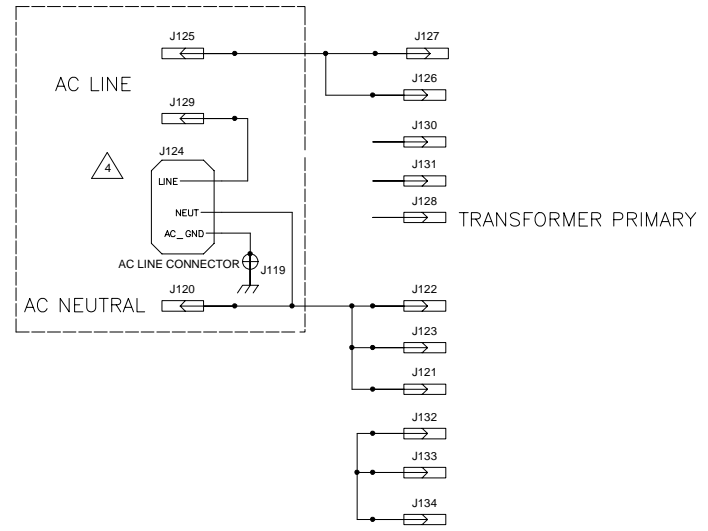
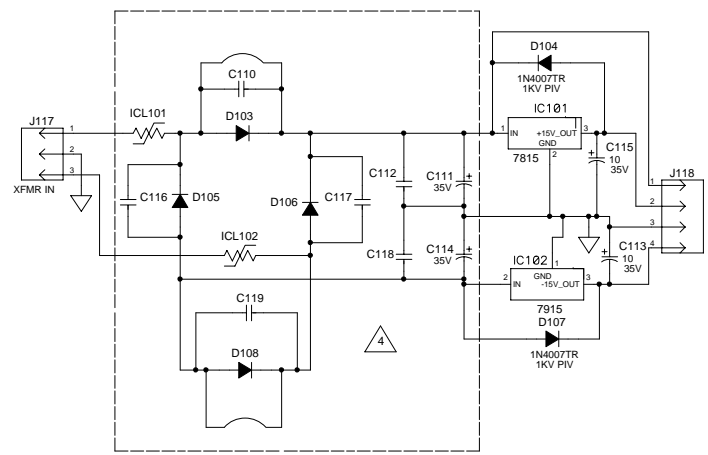
4

PRE/POST

BALANCED OUT



REF DES	-01	-02	-03
C101	.047uF	-	.047uF
C102	.047uF	-	.047uF
C103	.047uF	-	.047uF
C104	-	.047uF	-
C105	-	.047uF	-
C106	-	.047uF	-
C107	1.5uF	-	1.5uF
C110	.1uF	-	.1uF
C111	1500uF	-	1500uF
C112	.1uF	-	.1uF
C114	1500uF	-	1500uF
C116	.1uF	-	.1uF
C117	.1uF	-	.1uF
C118	.1uF	-	.1uF
C119	.1uF	-	.1uF
D101	-	-	-
D102	-	JUMPER	-
D103	1N4007	JUMPER	1N4007
D105	1N4007	-	1N4007
D106	1N4007	-	1N4007
D108	1N4007	JUMPER	1N4007
J101	4 PIN	-	4 PIN
J102	SPEAKON	-	-
J103	114BPC	-	114BPC
J104	-	4 PIN	-
J105	-	SPEAKON	-
J106	-	114BPC	-
J107	-	-	-
J109	-	2 PIN	-
J111	-	12 PIN	-
J113	8 PIN	11 PIN	8 PIN
J119	-	BKT	-
J120	-	.250 TAB	-
J124	-	AC CONN	-
J125	-	.250 TAB	-
J129	-	.250 TAB	-
R101	20 ohm	-	20 ohm
SW101	-	-	-
JWOPT1	-	-	-
ICL101	.4A	.25A	.4A
ICL102	.4A	.25A	.4A



CAUTION:
THIS SCHEMATIC IS PROVIDED FOR USE BY QUALIFIED PERSONNEL. TO AVOID RISK OF ELECTRIC SHOCK, REFER SERVICING TO QUALIFIED SERVICE PERSONNEL. DO NOT PERFORM ANY SERVICING BEYOND THAT EXPLAINED IN THE OPERATING INSTRUCTIONS.

- NOTES:
1) CAUTION: SHOCK HAZARD!! THIS UNIT CONTAINS HAZARDOUS VOLTAGE. DISCONNECT POWER AND BE SURE POWER SUPPLY IS DISCHARGED BEFORE TOUCHING INTERNAL PARTS.
2) UNLESS NOTED, RESISTOR VALUES IN OHMS, 1/4W-5% TOL. CAPACITOR VALUES IN MICROFARADS, 50V-10% TOL.
3) VOLTAGES ARE MEASURED WITH 1 MEGOHM OSCILLOSCOPE AND 10 MEGOHM DIGITAL VOLTMETER.

SEE TABLE FOR COMPONENT VALUE

REV	Date	DESCRIPTION	Ecr(s)/Ecn(s)	Chgd By	Appvd by	Date
1	9-13-02	ADDED -03				
0	5-9-02	CONTROL ISSUE				

THE INFORMATION CONTAINED ON THIS DRAWING IS PROPRIETARY TO ST. LOUIS MUSIC, INC.

Signatures:	Date:	 11880 Bommar Drive, St. Louis, MO 63146
Drawn: RLB	8-10-01	
Checked:		First Used On:
Released:		PB250a
Plot Date: Fri Sep 13, 2002	Drawing Size: C	Drawing Title: BASS AMP
Plot Time: 09:58:16	Drawing Type: Schematic	Drawing Number: 07S593-XX
Tolerance:	Class Code: NONE	
	Sheet 1 of 1	