

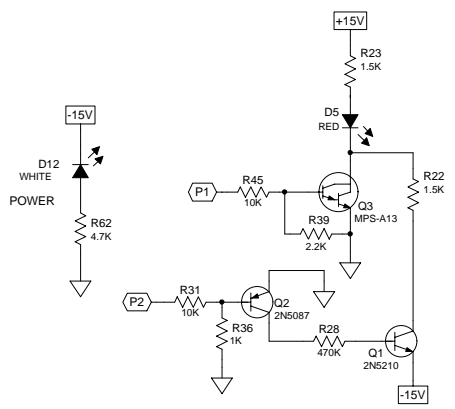
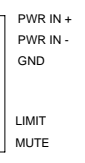
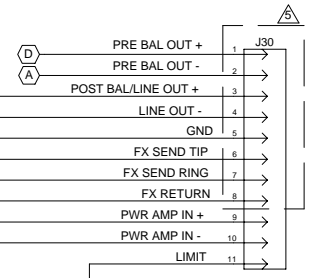
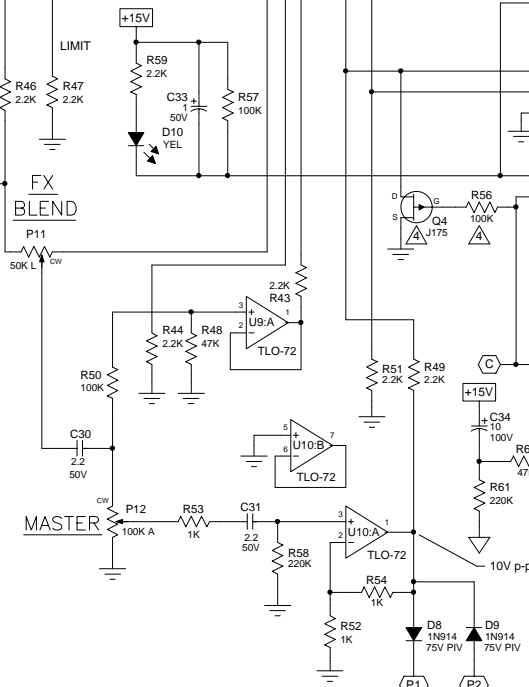
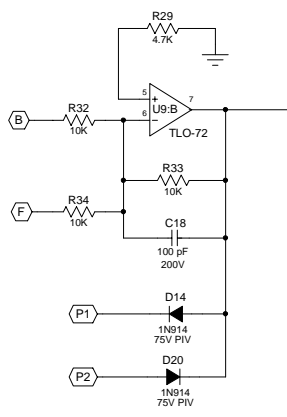
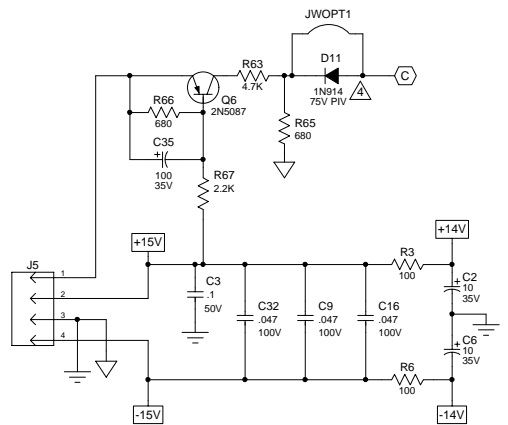
CAUTION:
 THIS SCHEMATIC IS PROVIDED FOR USE BY QUALIFIED PERSONNEL.
 TO AVOID RISK OF ELECTRIC SHOCK, REFER SERVICING TO QUALIFIED
 SERVICE PERSONNEL. DO NOT PERFORM ANY SERVICING BEYOND
 THAT EXPLAINED IN THE OPERATING INSTRUCTIONS.

- NOTES:**
- 1) CAUTION: SHOCK HAZARD!! THIS UNIT CONTAINS HAZARDOUS VOLTAGE. DISCONNECT POWER AND BE SURE POWER SUPPLY IS DISCHARGED BEFORE TOUCHING INTERNAL PARTS.
 - 2) UNLESS NOTED, RESISTOR VALUES IN OHMS, 1/4W-5% TOL. CAPACITOR VALUES IN MICROFARADS, 50V-10% TOL.
 - 3) VOLTAGES ARE MEASURED WITH 1 MEGOHM OSCILLOSCOPE AND 10 MEGOHM DIGITAL VOLTMETER.

△ NOT USED ON DASH 01
 △ USE 8 PIN HEADER FOR -01

Power Table							
Ref	Des	Device(Type)	Package	+14V	-15V	-14V	+15V
U1	3727501		BDIP_3	8			4
U2	3727501		BDIP_3	8			4
U3	3787201		BDIP_3		4		8
U4	3787201		BDIP_3		4		8
U5	3787201		BDIP_3		4		8
U6	3787201		BDIP_3		4		8
U7	3787201		BDIP_3		4		8
U8	3787201		BDIP_3		4		8
U9	3787201		BDIP_3		4		8
U10	3787201		BDIP_3		4		8

0	2-13-04	CONTROL ISSUE				RLB
A	12/5/03	INITIAL ISSUE				
REV	Date	DESCRIPTION	Ecr(s)/Ecn(s)	Chgd By	Appvd by	Date
THE INFORMATION CONTAINED ON THIS DRAWING IS PROPRIETARY TO ST. LOUIS MUSIC, INC.						
Signatures:			Date:		 11880 Borman Drive, St. Louis, MO 63146	
Drawn: RLB			12-5-03			
Checked:			First Used On:			
Released:						
Plot Date: Fri Feb 13, 2004		Drawing Size: C		Drawing Title: BASS PREAMP		
Plot Time: 14:12:00		Drawing Type: Schematic		Drawing Number: 07S596		
Tolerance:		Class Code: NONE		Sheet 1 of 2		



CAUTION:
THIS SCHEMATIC IS PROVIDED FOR USE BY QUALIFIED PERSONNEL. TO AVOID RISK OF ELECTRIC SHOCK, REFER SERVICING TO QUALIFIED SERVICE PERSONNEL. DO NOT PERFORM ANY SERVICING BEYOND THAT EXPLAINED IN THE OPERATING INSTRUCTIONS.

NOTES:
1) CAUTION: SHOCK HAZARD!! THIS UNIT CONTAINS HAZARDOUS VOLTAGE. DISCONNECT POWER AND BE SURE POWER SUPPLY IS DISCHARGED BEFORE TOUCHING INTERNAL PARTS.
2) UNLESS NOTED, RESISTOR VALUES IN OHMS, 1/4W-5% TOL. CAPACITOR VALUES IN MICROFARADS, 50V-10% TOL.
3) VOLTAGES ARE MEASURED WITH 1 MEGOHM OSCILLOSCOPE AND 10 MEGOHM DIGITAL VOLTMETER.

⚠ NOT USED ON DASH 01
⚠ USE 8 PIN HEADER FOR -01

0	2-13-04	CONTROL ISSUE								
A	12/5/03	INITIAL ISSUE								
REV	Date	DESCRIPTION	Ecr(s)/Ecn(s)	Chgd By	Appvd by	Date				
THE INFORMATION CONTAINED ON THIS DRAWING IS PROPRIETARY TO ST. LOUIS MUSIC, INC.										
Signatures:		Date:								
Drawn: RLB		12-5-03		11880 Borman Drive, St. Louis, MO 63146						
Checked:				First Used On:						
Released:				Drawing Title: BASS PREAMP						
Plot Date: Fri Feb 13, 2004		Drawing Size: C		Drawing Number: 07S596						
Plot Time: 14:13:00		Drawing Type: Schematic		Drawing Number: 07S596						
Tolerance:		Class Code: NONE		Sheet 2 of 2						