

A

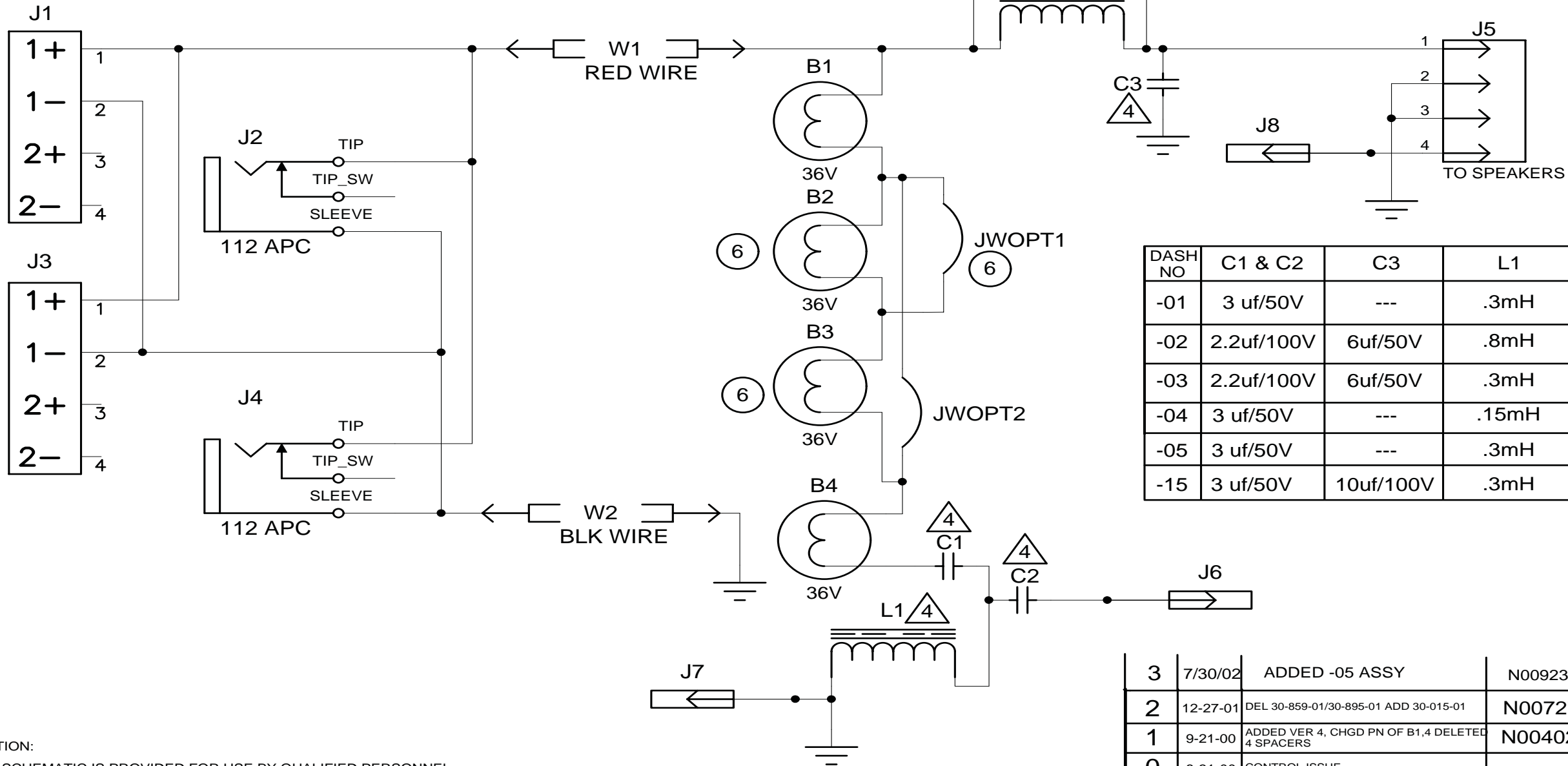
B

C

D

1

1



DASH NO	C1 & C2	C3	L1	L2
-01	3 uf/50V	---	.3mH	---
-02	2.2uf/100V	6uf/50V	.8mH	1.8mH
-03	2.2uf/100V	6uf/50V	.3mH	1.0mH
-04	3 uf/50V	---	.15mH	---
-05	3 uf/50V	---	.3mH	---
-15	3 uf/50V	10uf/100V	.3mH	1.0mH

CAUTION:
THIS SCHEMATIC IS PROVIDED FOR USE BY QUALIFIED PERSONNEL.
TO AVOID RISK OF ELECTRIC SHOCK, REFER SERVICING TO QUALIFIED
SERVICE PERSONNEL. DO NOT PERFORM ANY SERVICING BEYOND
THAT EXPLAINED IN THE OPERATING INSTRUCTIONS.

NOTES:
1) CAUTION: SHOCK HAZARD!!
THIS UNIT CONTAINS HAZARDOUS VOLTAGE. DISCONNECT POWER
AND BE SURE POWER SUPPLY IS DISCHARGED BEFORE
TOUCHING INTERNAL PARTS.
2) UNLESS NOTED, RESISTOR VALUES IN OHMS, 1/4W-5% TOL.
CAPACITOR VALUES IN MICROFARADS, 50V-10% TOL.
3) VOLTAGES ARE MEASURED WITH 1 MEGOHM OSCILLOSCOPE
AND 10 MEGOHM DIGITAL VOLTMETER.

4) SEE TABLE FOR VALUES.
5) USED ON DASH 01, 04, -05 ONLY.
6) SEE BOM FOR USAGE

REV	Date	DESCRIPTION	Ecr(s)/Ecn(s)	Chgd By	Appvd by	Date
3	7/30/02	ADDED -05 ASSY	N00923	REM		
2	12-27-01	DEL 30-859-01/30-895-01 ADD 30-015-01	N00727	WFB		
1	9-21-00	ADDED VER 4, CHGD PN OF B1,4 DELETED 4 SPACERS	N00402	WFB		
0	8-31-00	CONTROL ISSUE				

THE INFORMATION CONTAINED ON THIS DRAWING IS PROPRIETARY TO ST. LOUIS MUSIC, INC

Signatures:		Date:	 11880 Borman Drive, St. Louis, MO 63146
Drawn: RLB		12-13-99	
Checked:		First Used On: PR410	
Released:		Drawing Title: CROSSOVER	
Plot Date: Fri Apr 29, 2005	Drawing Size: A	Drawing Number: 07S777-XX	
Plot Time: 08:36:09	Drawing Type: Schematic		
Tolerance:	Class Code: NONE		
	Sheet 1 of 1		

A

B

C

D

4

4