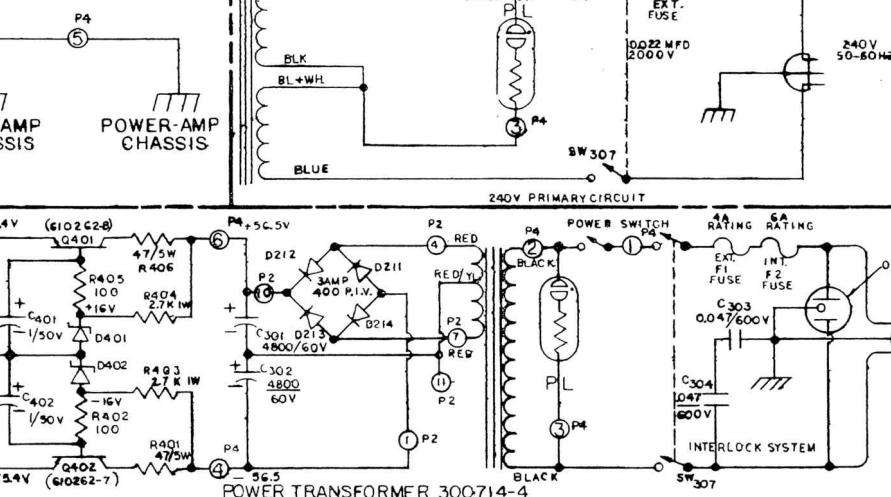
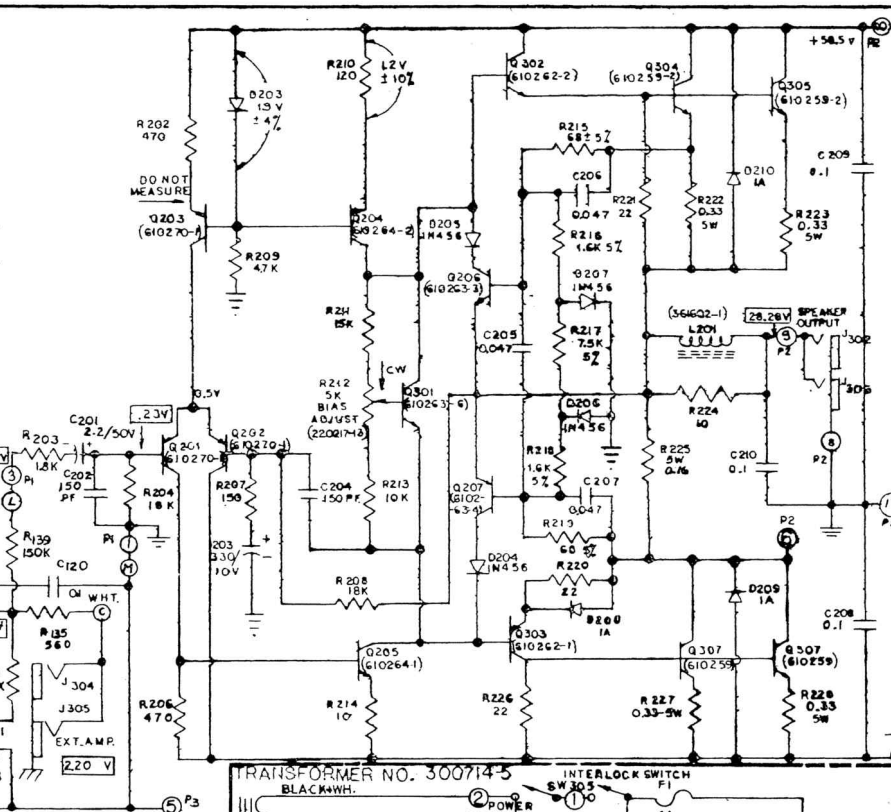
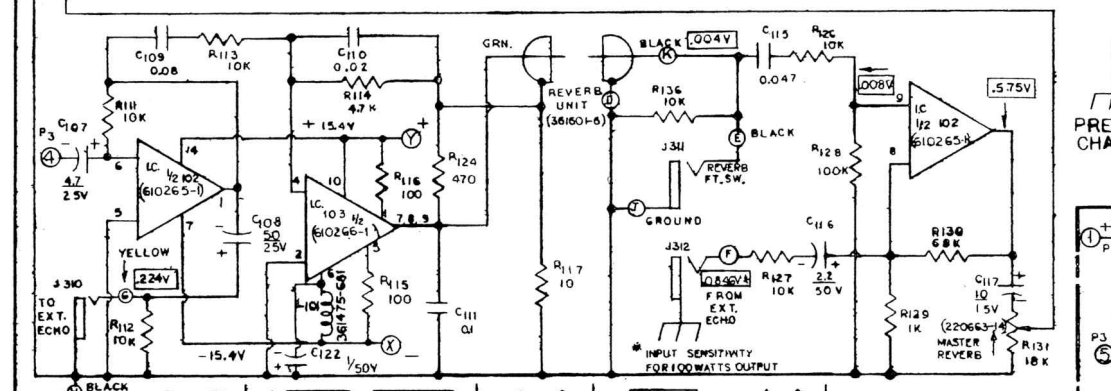
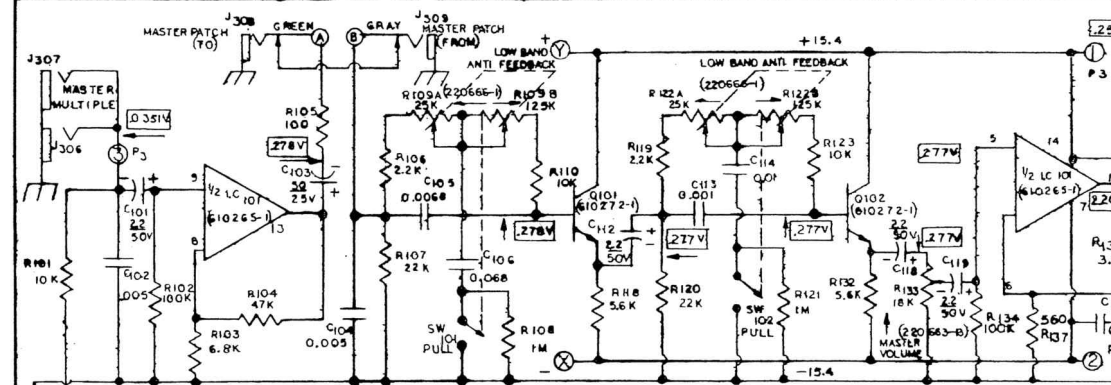


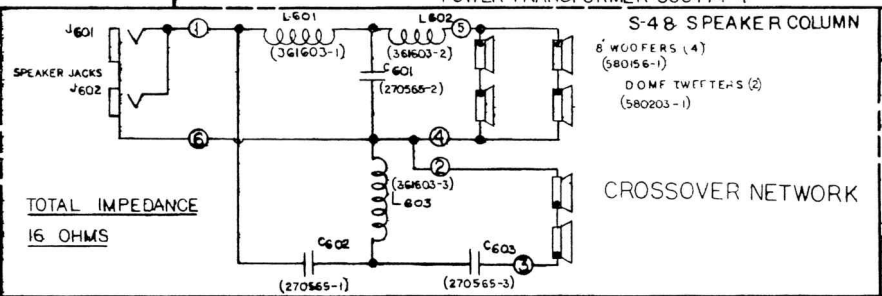
OTHER FIVE CHANNELS SAME AS ABOVE



NOTES:

- ALL RESISTORS IN OHMS 1/10% UNLESS OTHERWISE SPECIFIED.
- ALL CAPACITORS IN MFD. AND 50V UNLESS OTHERWISE SPECIFIED.
- CIRCUIT OF CHASSIS MAY VARY SLIGHTLY FROM THAT SHOWN HERE DUE TO NORMAL PRODUCTION CHANGES.
- NUMBERS IN PARENTHESIS REFER TO MAGNAVOX PART NUMBERS.
- D.C. VOLTAGE READINGS WITH NO SIGNAL APPLIED USING A 20,000 OHM PER VOLT VOLTMETER AND ARE POSITIVE WITH RESPECT TO CHASSIS GROUND UNLESS OTHERWISE SPECIFIED.
- ADJUST R12 BIAS POT TO READ .011 VOLTS D.C. WITH NO LOAD CONNECTED AND NO SIGNAL APPLIED ACROSS PINS 6 AND 9 OF OUTPUT CONNECTOR.
- POWER OUTPUT SHOULD BE AT LEAST 120 WATTS RMS CONTINUOUS AT LESS THAN 0.3% T.H.D.
- INPUT SENSITIVITY WITH CHANNEL BASS AND TREBLE SET TO MID POSITION, CHANNEL VOLUME AT MAXIMUM MASTER AT MAXIMUM AND ANTI FEEDBACK OFF, IS 7.8 MILLIVOLTS RMS IN FOR 28.28 VOLTS NOMINAL OUT. ACCEPTABLE OUTPUT LIMITS ARE 25.4 VOLTS TO 31.1 VOLTS.
- VOLTAGES SHOWN IN BOXES ARE A.C. LEVELS, UNDER THE FOLLOWING CONDITIONS: CHANNEL VOLUME MAXIMUM, BASS MIDPOSITION, TREBLE MID POSITION REVERB MAXIMUM, MASTER GAIN MAXIMUM, ANTI FEEDBACK OFF AND REVERB OFF.
- REPLACE SPEAKER AND CROSSOVER COMPONENTS ONLY WITH AMPEP PARTS TO ENSURE RELIABILITY.
- POWER MODULE REPAIR IS RECOMMENDED ON AN EXCHANGE BASIS WITH THE FACTORY SERVICE CENTER, DUE TO THE COMPLEXITY AND D.C. COUPLED DESIGN.
- SEMICONDUCTORS ARE SELECTED. FACTORY REPLACEMENTS RECOMMENDED. UNSELECTED SEMICONDUCTORS MAY EXHIBIT IMPROPER OPERATION OR SHORT LIFE.
- SYMBOL () INDICATES COUNTERCLOCKWISE ROTATION OF POTENTIOMETER - TRIM POTS VIEWED FROM REAR.
- OUTPUT TRANSISTORS 610255-2 ARE COLOR CODED ACCORDING TO BETA RANGES. REPLACE WITH LIKE COLOR CODING OR REPLACE ALL 4 TRANSISTORS WITH SAME COLOR DEVICES.

REVISION	DATE	DESCRIPTION
1	1/30/74	REVISED AMPLIFIER
2	2/1/74	ADDED REVERB UNIT
3	2/1/74	ADDED ECHO UNIT
4	2/1/74	REVISED CHASSIS DESIGN
5	2/1/74	REVISED CHASSIS DESIGN
6	2/1/74	REVISED CHASSIS DESIGN



REV	SIZE	PART NO.
C	5.5" X 8.5"	591742-3
B	5.5" X 8.5"	591742-2
A	5.5" X 8.5"	591742-1

ADDITIONAL SPECIFICATIONS	MATERIAL
	UNLESS OTHERWISE SPECIFIED
DECIMALS	FRACTIONS
.1	1/10
.2	1/5
.3	3/10
.4	2/5
.5	1/2
.6	3/5
.7	7/10
.8	4/5
.9	9/10
1.0	1

THE AMPEP COMPANY		DIVISION OF THE MAGNAVOX COMPANY	
P.O. BOX 515 LINDEN, N.J. 07036			
SR-6 CONSOLE WITH S-48 SPEAKER COL.			
SIGNATURE	DATE	FIRST USED IN	
W. H. H. H.	1/31/74	SR-6	
CHK.	DATE	SCALE	
W. H. H. H.	8/14/74	D	
ENGR.	DATE	DWG. NO.	
W. H. H. H.	8/14/74	591742	

THIS MATERIAL IS THE PROPERTY OF, AND PROPRIETARY TO, THE MAGNAVOX COMPANY AND IS NOT TO BE DISCLOSED TO OTHERS OR USED FOR OTHER THAN AUTHORIZED MAGNAVOX PURPOSES WITHOUT THE WRITTEN PERMISSION OF THE MAGNAVOX COMPANY. THIS MATERIAL MUST BE RETURNED TO THE MAGNAVOX COMPANY WHEN THE HOLDER NO LONGER REQUIRES IT FOR AUTHORIZED MAGNAVOX PURPOSES.