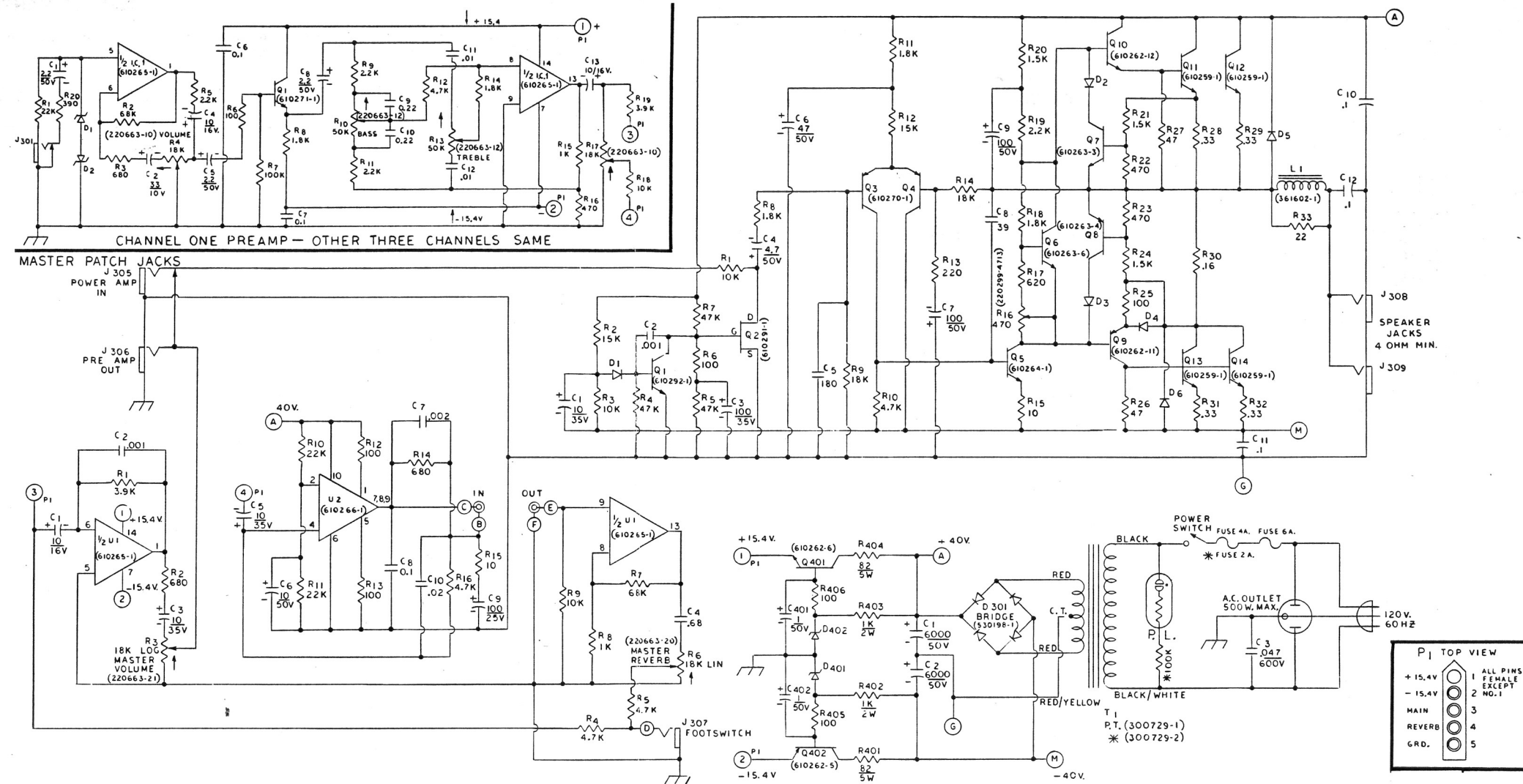


# MODEL SR4 SCHEMATIC DIAGRAM

**WARNING**  
 For maximum safety, reliability and performance, all parts must be replaced by those having identical specifications. Under no circumstances may the original design be modified or altered without permission from the Ampeg Company.



## NOTES: UNLESS OTHERWISE SPECIFIED

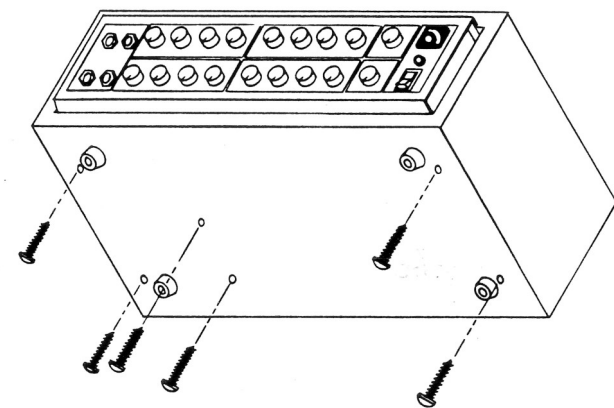
1. Capacitance values are in microfarads, 10%, 250V.
2. Resistors are 1/2W, 10%, composition.
3. DC voltages taken with no signal applied.
4. Numbers in parenthesis are Ampeg part numbers.
5. Adjust R16, with no signal or load applied, for 0.007 DC across R30 on main printed circuit board.
6. Actual circuit may vary slightly due to normal production changes.
- \*7. Asterisk designates use on 240V models only.

## MODEL SR4 TEST PROCEDURE

1. Connect a 60 W incandescent lamp in series with the transformer primary winding. With no load a dull glow is normal and bright glow indicates short circuit.
2. Remove lamp and adjust R16 on the main pc board for a 0.008 VDC voltage drop across resistor R30 on the main pc board.
3. Connect a 4 Ohm load, set tone controls flat, master volume and master reverb to mid-position, and other controls full cw. With 1.5 MV RMS input signal measure nominal 20.0 VRMS output. Check each channel. Also measure nominal 0.4 VRMS at the pre-amp out jack.
4. Set all controls full ccw and measure noise with unweighted filter. Verify hum and noise limit of 0.003 VRMS.

## SERVICE TIPS

SYMPTOM	POSSIBLE CAUSE
<b>PRE AMP:</b>	
Blows Fuse - no output	C1 or C2 in power supply
No Output - all channels silent	Master Volume Control
+15.4 Volt Line is out	Q401, D402, C401
+15.4 Volt Line is high	Q401, D402
-15.4 Volt Line is out	Q402, D401, C402
-15.4 Volt Line is high	Q401, D401
One channel crackles or howls (Oscillates)	IC1 on appropriate preamps
All channels crackle with volume up; Quiet with master up and volumes down	D402, C401, C402
No Reverb - Crash noise when unit struck	U1, U2
No Reverb - No crash when unit struck	U1, Reverb Unit
<b>POWER AMP:</b>	
Surge at turn on - pop sound	Q1, Q2, C2, R4
Blows fuses or excessive hum	Any transistor or diode, especially Q9 to Q14, Bridge Rectifier D301
No output or large DC voltage at speaker terminals	Q3, Q4, R12
High Distortion	D2, D3, R11, Q9, Q10
R27 Burned	Bias out of adjustment
Heat Sink too hot	R28, R29, Q6, Q9, Q10, Q11, Q12
	Bias out of adjustment



## SR4 MECHANICAL DISASSEMBLY

1. Remove the (6) six screws shown from the bottom of the cabinet.
2. Slide chassis forward to remove from cabinet.