

**CAUTION:**

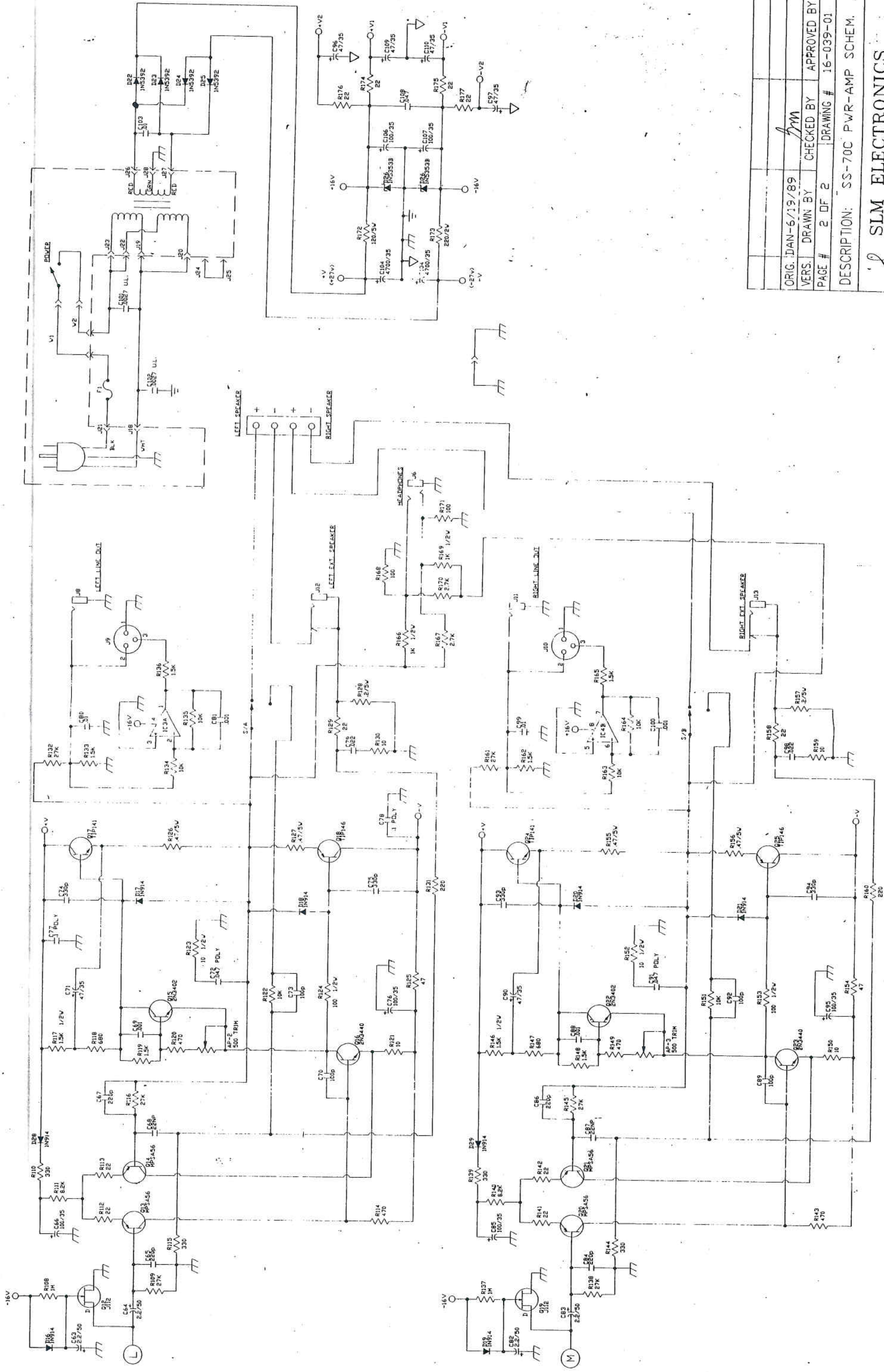
THIS SCHEMATIC IS PROVIDED FOR USE BY QUALIFIED PERSONNEL TO AVOID RISK OF ELECTRIC SHOCK. REFER SERVICING TO QUALIFIED SERVICE PERSONNEL. DO NOT PERFORM ANY SERVICING BEYOND THAT EXPLAINED IN THE OPERATING INSTRUCTIONS.

- NOTES:**
- 1) CAUTION: SWICH HAZARDOUS VOLTAGE. DISCONNECT POWER AND BE SURE POWER SUPPLY IS DISCHARGED BEFORE TOUCHING INTERNAL PARTS.
  - 2) UNLESS NOTED, RESISTOR VALUES IN OHMS, 1/4W-5% TOL. CAPACITOR VALUES IN MICROFARADS, 50V-10% TOL.
  - 3) VOLTAGES ARE MEASURED WITH 1 MEGOHM OSCILLOSCOPE AND 10 MEGOHM DIGITAL VOLTMETER.
  - 4) CIRCUIT GROUND  $\nabla$  SWITCH GROUND  $\nabla$  CHASSIS GROUND  $\nabla$

ORIG. DAN-6/16/89	CHECKED BY	APPROVED BY
VERS. DRAWN BY		
PAGE # 1 OF 2	DRAWING # 16-039-01	
DESCRIPTION: SS-70C PRE-AMP SCHEM.		

**SLM ELECTRONICS**  
 11880 BORMAN DR.  
 ST. LOUIS, MO 63146

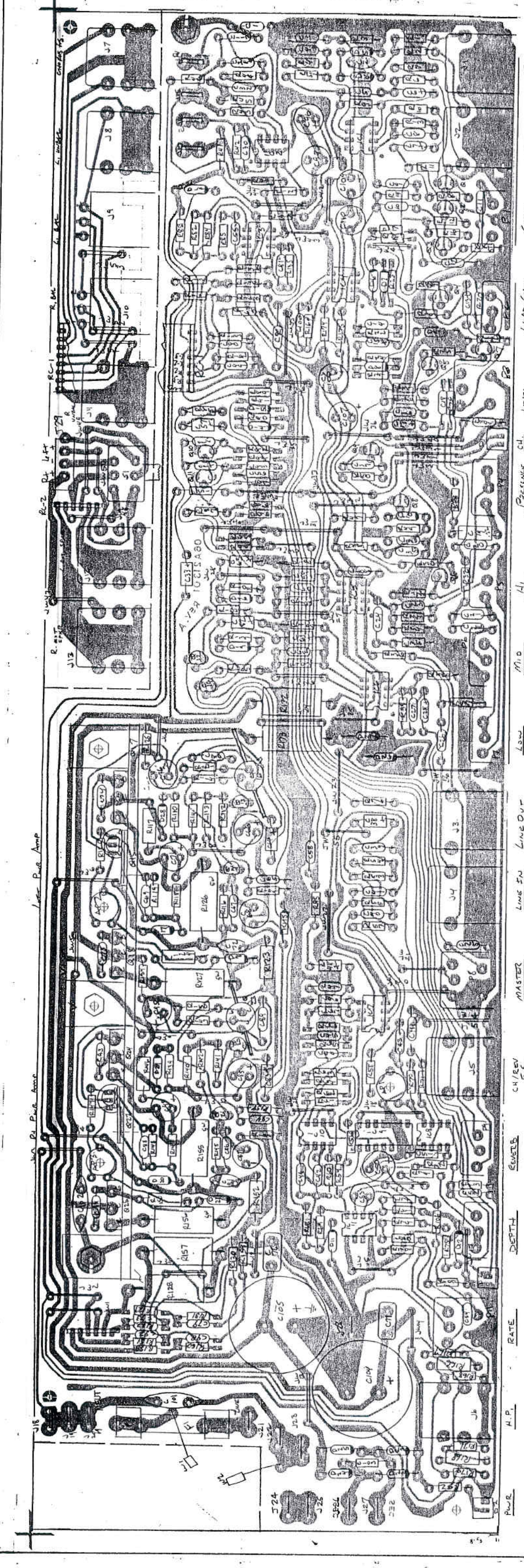




ORIG. DATE	6/19/89	CHECKED BY	APPROVED BY
VERS. DRAWN BY			
PAGE #	2 OF 2	DRAWING #	16-039-01
DESCRIPTION: SS-70C PWR-AMP SCHEM.			

SLM ELECTRONICS  
 11880 BORMAN DR.  
 ST. LOUIS, MO 63146





Part	Value	P/N	Rate	Depth	Emboss	Ch/Rev	Master	Line In	Line Out	Low	Mid	Hi	Preseal	Level	Lead	Gain
R1	22K	78-223-01														
R2	27K	78-274-01														
R3	1.5K	78-152-01														
R4	3.3K	78-333-01														
R5	100K	78-100-01														
R6	100K	78-100-01														
R7	100K	78-100-01														
R8	100K	78-100-01														
R9	100K	78-100-01														
R10	100K	78-100-01														
R11	100K	78-100-01														
R12	100K	78-100-01														
R13	100K	78-100-01														
R14	100K	78-100-01														
R15	100K	78-100-01														
R16	100K	78-100-01														
R17	100K	78-100-01														
R18	100K	78-100-01														
R19	100K	78-100-01														
R20	100K	78-100-01														
R21	100K	78-100-01														
R22	100K	78-100-01														
R23	100K	78-100-01														
R24	100K	78-100-01														
R25	100K	78-100-01														
R26	100K	78-100-01														
R27	100K	78-100-01														
R28	100K	78-100-01														
R29	100K	78-100-01														
R30	100K	78-100-01														
R31	100K	78-100-01														
R32	100K	78-100-01														
R33	100K	78-100-01														
R34	100K	78-100-01														
R35	100K	78-100-01														
R36	100K	78-100-01														
R37	100K	78-100-01														
R38	100K	78-100-01														
R39	100K	78-100-01														
R40	100K	78-100-01														
R41	100K	78-100-01														
R42	100K	78-100-01														
R43	100K	78-100-01														
R44	100K	78-100-01														
R45	100K	78-100-01														
R46	100K	78-100-01														
R47	100K	78-100-01														
R48	100K	78-100-01														
R49	100K	78-100-01														
R50	100K	78-100-01														
R51	100K	78-100-01														
R52	100K	78-100-01														
R53	100K	78-100-01														
R54	100K	78-100-01														
R55	100K	78-100-01														
R56	100K	78-100-01														
R57	100K	78-100-01														
R58	100K	78-100-01														
R59	100K	78-100-01														
R60	100K	78-100-01														
R61	100K	78-100-01														
R62	100K	78-100-01														
R63	100K	78-100-01														
R64	100K	78-100-01														
R65	100K	78-100-01														
R66	100K	78-100-01														
R67	100K	78-100-01														
R68	100K	78-100-01														
R69	100K	78-100-01														
R70	100K	78-100-01														
R71	100K	78-100-01														
R72	100K	78-100-01														
R73	100K	78-100-01														
R74	100K	78-100-01														
R75	100K	78-100-01														
R76	100K	78-100-01														
R77	100K	78-100-01														
R78	100K	78-100-01														
R79	100K	78-100-01														
R80	100K	78-100-01														
R81	100K	78-100-01														
R82	100K	78-100-01														
R83	100K	78-100-01														
R84	100K	78-100-01														
R85	100K	78-100-01														
R86	100K	78-100-01														
R87	100K	78-100-01														
R88	100K	78-100-01														
R89	100K	78-100-01														
R90	100K	78-100-01														
R91	100K	78-100-01														
R92	100K	78-100-01														
R93	100K	78-100-01														
R94	100K	78-100-01														
R95	100K	78-100-01														
R96	100K	78-100-01														
R97	100K	78-100-01														
R98	100K	78-100-01														
R99	100K	78-100-01														
R100	100K	78-100-01														
R101	100K	78-100-01														
R102	100K	78-100-01														
R103	100K	78-100-01														
R104	100K	78-100-01														
R105	100K	78-100-01														
R106	100K	78-100-01														
R107	100K	78-100-01														
R108	100K	78-100-01														
R109	100K	78-100-01														
R110	100K	78-100-01														
C1	10K TRIM	71-103-02														
C2	500 TRIM	71-501-02														
F1	2A	23-302-01														
F2	250ML	70-304-01														
F3	100KRA	70-104-23														
F4	100KRA	70-104-23														
F5	100KRA	70-104-23														
F6	100KRA	70-104-23														
F7	100KRA	70-104-23														
F8	100KRA	70-104-23														
F9	100KRA	70-104-23														
F10	100KRA	70-104-23														
F11	100KRA	70-104-23														
F12	100KRA	70-104-23														
F13	100KRA	70-104-23														
F14	100KRA	70-104-23														
F15	100KRA	70-104-23														
F16	100KRA	70-104-23														
F17	100KRA	70-104-23														
F18	100KRA	70-104-23														
F19	100KRA	70-104-23														
F20	100KRA	70-104-23														
F21	100KRA	70-104-23														



