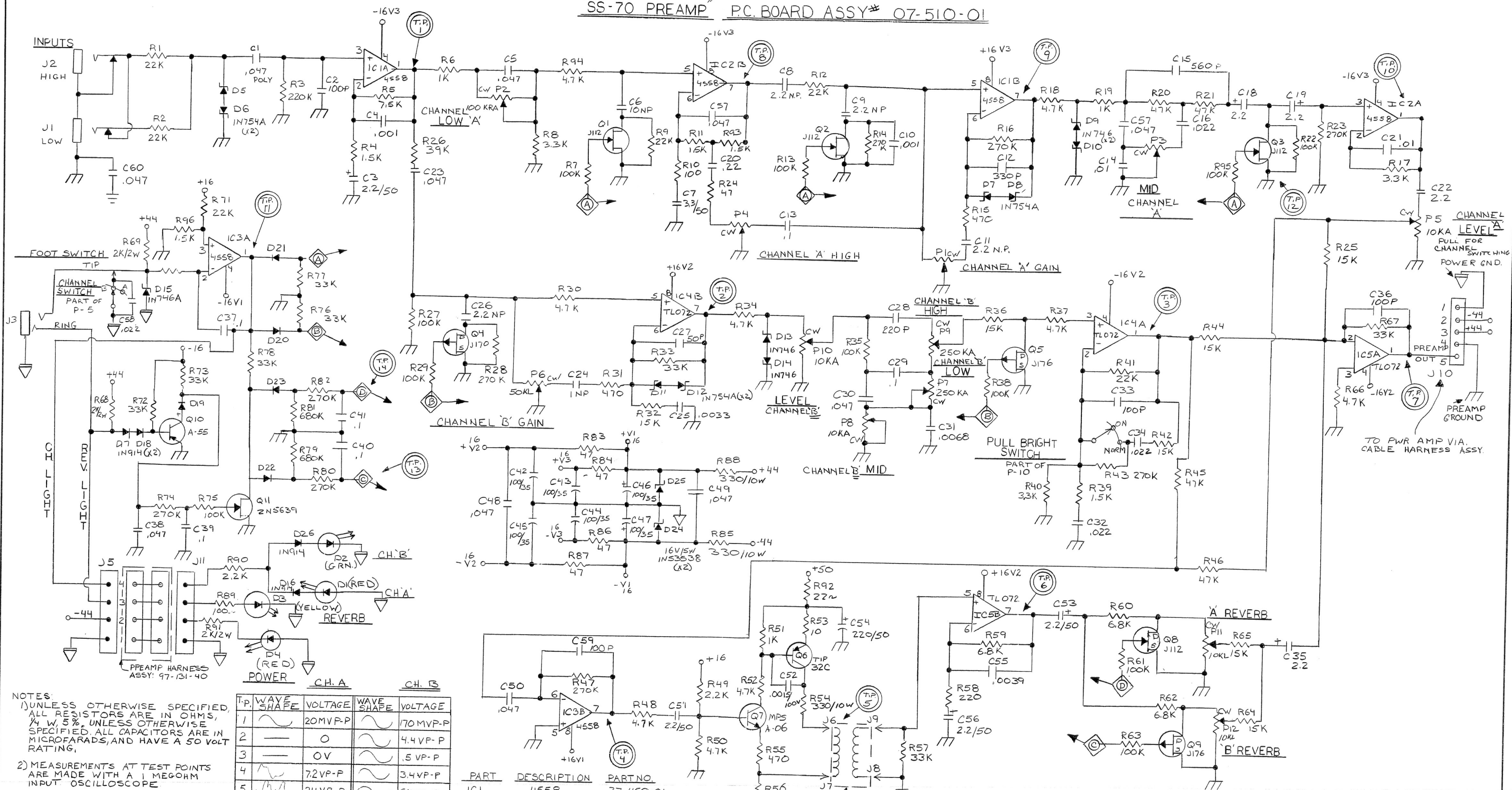


SS-70 PREAMP PC BOARD ASSY# 07-510-01



NOTES:
 1) UNLESS OTHERWISE SPECIFIED, ALL RESISTORS ARE IN OHMS, 1/4 W, 5% UNLESS OTHERWISE SPECIFIED. ALL CAPACITORS ARE IN MICROFARADS, AND HAVE A 50 VOLT RATING.
 2) MEASUREMENTS AT TEST POINTS ARE MADE WITH A 1 MEGOHM INPUT OSCILLOSCOPE

CHANNEL 'A'
 10" GAIN, LEVEL, LOW HIGH.
 5" ULTRA MID

CHANNEL 'B'
 GAIN, LEVEL, LOW MID, HIGH & 10"
 BRIGHT BOOST "OFF"

T.P.	WAVE SHAPE	VOLTAGE	WAVE SHAPE	VOLTAGE
1	[Waveform]	20MVP-P	[Waveform]	170MVP-P
2	[Waveform]	0	[Waveform]	4.4VP-P
3	[Waveform]	0V	[Waveform]	.5VP-P
4	[Waveform]	7.2VP-P	[Waveform]	3.4VP-P
5	[Waveform]	24VP-P	[Waveform]	5.4VP-P
6	[Waveform]	.52VP-P	[Waveform]	125MVP-P
7	[Waveform]	2.5VP-P	[Waveform]	1.15VP-P
8	[Waveform]	160MV	[Waveform]	0V
9	[Waveform]	9VP-P	[Waveform]	0V
10	[Waveform]	1.1VP-P	[Waveform]	0V
11	[Waveform]	0V	[Waveform]	13.5VDC
12	[Waveform]	13V DC	[Waveform]	0V
13	[Waveform]	0V	[Waveform]	10.5VDC
14	[Waveform]	10V DC	[Waveform]	0VDC

PART	DESCRIPTION	PART NO.
IC1	4558	37-458-01
IC2	4558	37-458-01
IC3	4558	37-458-01
IC4	TL072	37-072-01
IC5	TL072	37-072-01
J1	1/4" CLIFF	39-116-01
J2	"	39-116-01
J3	"	39-117-01
J4	5 PIN HD	17-309-05
J5	4 PIN HD	17-310-04
J6-9	.187 TAB	17-894-01
J10	4 PIN HD	17-310-01
J11	#6 LUG	17-500-01
H.S.	TO-220 H.S.	33-541-01

PART	DESCRIPTION	PART NO.
P1	100 KRA	70-104-23
P2	100 KRA	70-104-23
P3	50 KA	70-503-23
P4	50 KRA	70-503-23
P5	10 KA w/SWITCH	70-103-28
P6	50 KA	70-133-01
P7	250 KA	70-254-22
P8	10 KA	70-103-28
P9	250 KA	70-254-22
P10	10 KA w/SWITCH	70-103-28
P11	10 KL	70-132-01
P12	10 KL	70-132-01

PART	DESCRIPTION	PART NO.
Q1	J112	96-112-01
Q2	J112	96-112-01
Q3	J112	96-112-01
Q4	J176	96-176-01
Q5	J176	96-176-01
Q6	J176	96-176-01
Q7	TIP 32C	96-032-03
Q8	MPSA06	96-006-01
Q9	J112	96-112-01
Q10	J176	96-176-01
Q11	MPSA55	96-055-01

PCB# 07-510-01

TOLERANCES	REVISIONS	NO.	DATE	BY
DECIMAL	1	4-15-87	JLC	
FRACTIONAL	2			
ANGULAR	3			
±	4			
±	5			

AMPEG SS-70 PREAMP
 SLM ELECTRONICS
 11800 BOEMAN ST. LOUIS, MO. 63146
 DRAWN BY: JLC
 DATE: 4-15-87
 SCALE: 16-035-01
 MATERIAL: 16-035-01
 TRACES: 1