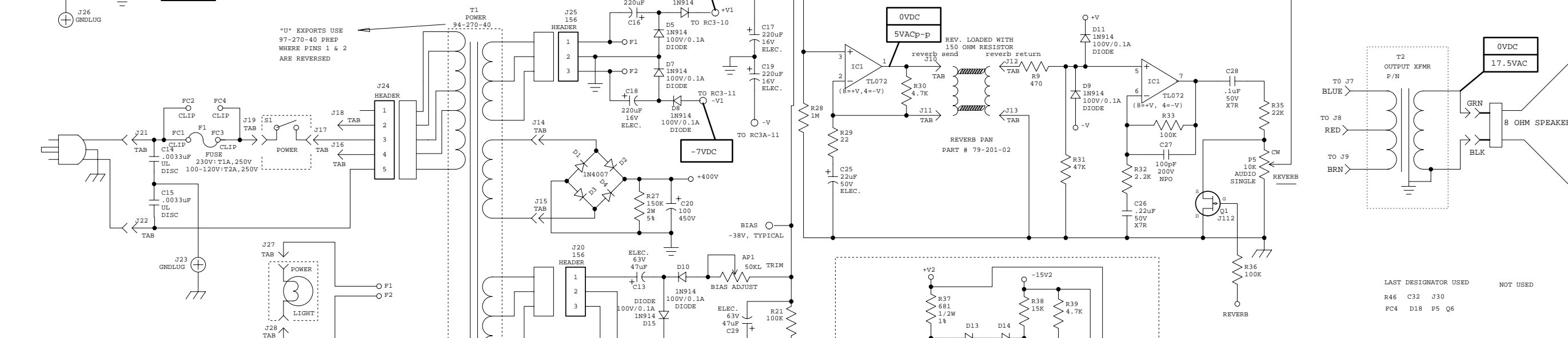
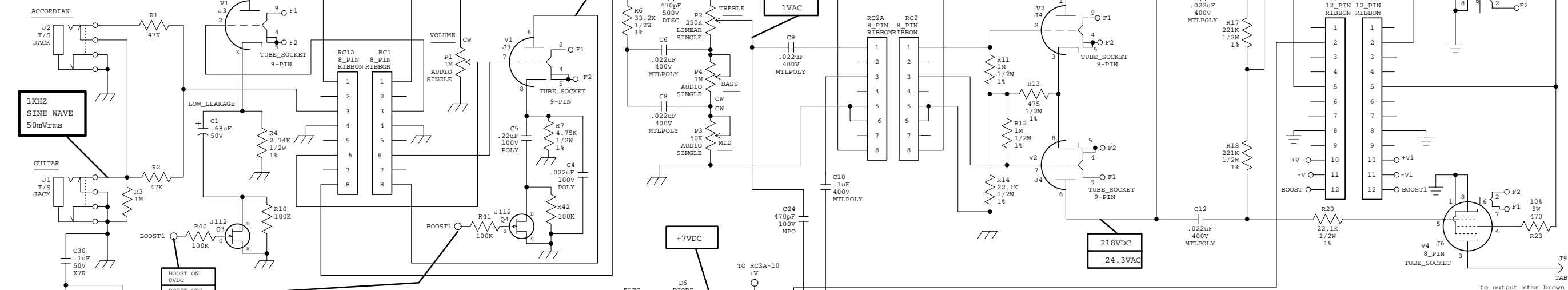


TESTPOINT NOTE:
ALL AC VOLTAGES (VAC) ARE RMS.
DC VOLTAGES ARE WITH NO SIGNAL APPLIED.
ALL CONTROLS @ "5", BOOST ON.



NOTES:
1) THIS UNIT CONTAINS HAZARDOUS VOLTAGE. DISCONNECT POWER AND BE SURE POWER SUPPLY IS DISCHARGED BEFORE TOUCHING INTERNAL PARTS.
2) UNLESS NOTED, RESISTOR VALUES IN OHMS, 1/4W-5% TOL. CAPACITOR VALUES IN MICROFARADS, 50V-10% TOL.
3) VOLTAGES ARE MEASURED WITH 1 MEGOHM OSCILLOSCOPE AND 10 MEGOHM DIGITAL VOLTMETER.

CAUTION:
THIS SCHEMATIC IS PROVIDED FOR USE BY QUALIFIED PERSONNEL. TO AVOID RISK OF ELECTRIC SHOCK, REFER SERVICING TO QUALIFIED SERVICE PERSONNEL. DO NOT PERFORM ANY SERVICING BEYOND THAT EXPLAINED IN THE OPERATING INSTRUCTIONS.

BIAS ADJUST NOTE:
ADJUST BIAS FOR SLIGHT CROSSOVER NOTCH @ FULL OUTPUT.
LINE CURRENT DRAW BETWEEN .65-.70A.

LAST DESIGNATOR USED NOT USED
R46 C32 J30
FC4 D18 P5 Q6

REV	DATE	BY	CHK'D	DESCRIPTION
3	04/23/98	REM	OK	C32_PER_E960472, CHG_PER_E970083. RADIALS E980022.
2	3/5/97	REM	OK	REV_TO_MATCH_PICT_PER_E970101.
1	8-1-96	RLB	OK	R24_WAS_WIRE_WOUND PER ECO 960276

SIGNATURES:	DATE:	11880 NORMAN DR.
DRAWN: REM	11/2/95	ST. LOUIS, MISSOURI
CHK'D: OK	11/2/95	63146
APP'D: OK	11/2/95	
ORIGINAL ISSUED:	11/2/95	
PROJECT NAME: SJ-12R_GUITAR_AMP		
DRAWING NAME: SCHEMATIC		
PLOT DATE: 8-1-96	DRAWING NO. 07S277-12	REV. 3
FILE NAME: 27712C3	SCALE: NONE	SHEET: 1_OF_1