

TEST POINTS

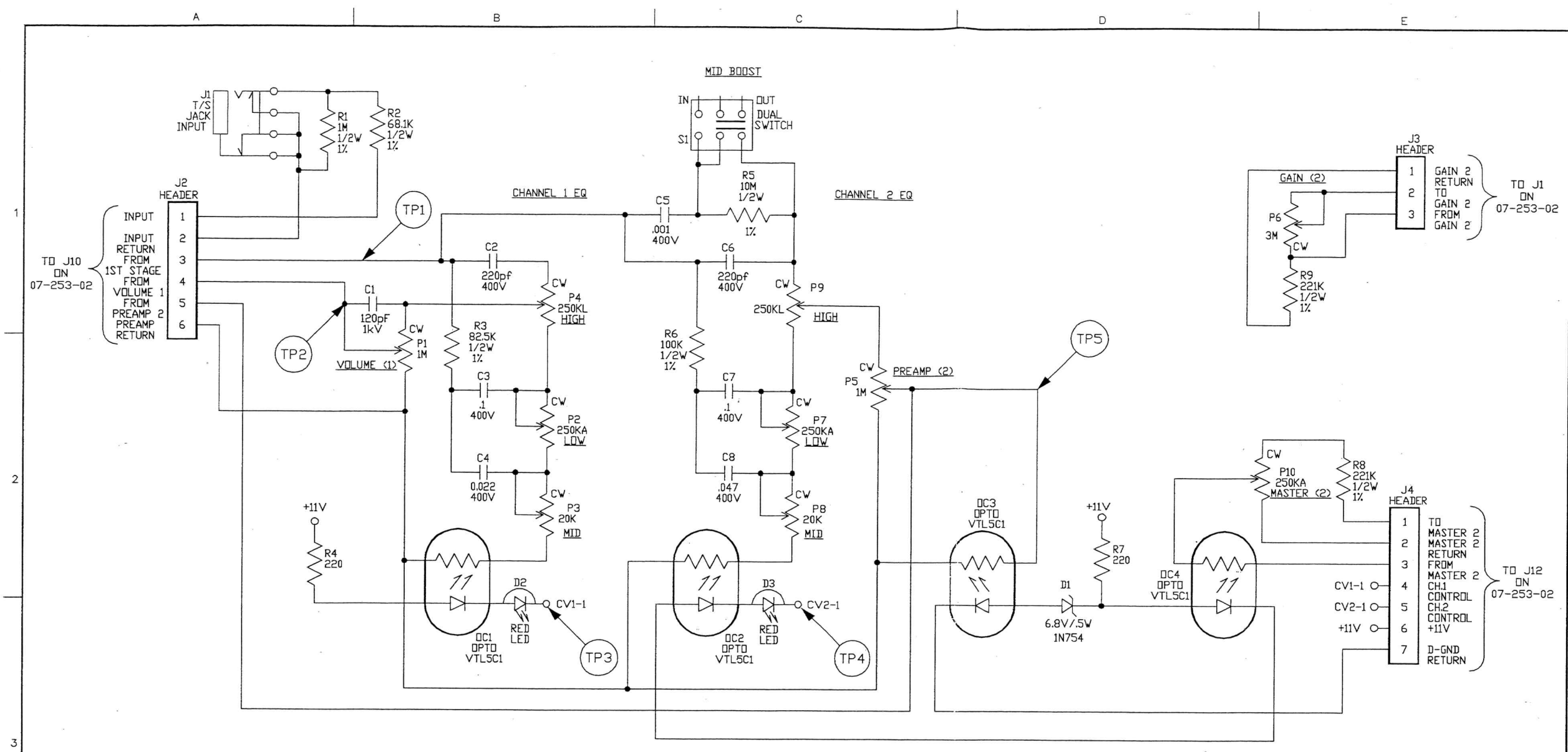
T.P.	AC VOLTAGE	DC ON VOLTAGE	DC OFF VOLTAGE	WAVEFORM
1	4.25V p-p	—	—	~
2	1.1V p-p	—	—	~
3	28.6V p-p	—	—	~
4	—	10.22V	.74V	—
5	—	10.22V	.74V	—
6	1.12V p-p	—	—	~

CAUTION:
 THIS SCHEMATIC IS PROVIDED FOR USE BY QUALIFIED PERSONNEL.
 TO AVOID RISK OF ELECTRIC SHOCK, REFER SERVICING TO QUALIFIED
 SERVICE PERSONNEL. DO NOT PERFORM ANY SERVICING BEYOND
 THAT EXPLAINED IN THE OPERATING INSTRUCTIONS.

- NOTES**
- 1) CAUTION: SHOCK HAZARD!!
 THIS UNIT CONTAINS HAZARDOUS VOLTAGE. DISCONNECT POWER
 AND BE SURE POWER SUPPLY IS DISCHARGED BEFORE
 TOUCHING INTERNAL PARTS.
 - 2) UNLESS NOTED, RESISTOR VALUES IN OHMS, 1/4W-5% TOL.
 CAPACITOR VALUES IN MICROFARADS, 50V-10% TOL.
 - 3) VOLTAGES ARE MEASURED WITH 1 MEGOHM OSCILLOSCOPE
 AND 10 MEGOHM DIGITAL VOLTMETER.
 - 4) CIRCUIT GROUND \perp SWITCH GROUND ∇ CHASSIS GROUND \perp

REV	DATE	BY	CHK'D	DESCRIPTION
2	06/19/94	LMA	<i>[Signature]</i>	REV CHG TO REFLECT JUMPER CHG PER E150
1	10/06/93	SWR		ADDED R11 & C10 FOR PRODUCTION MODIFICATION.

SIGNATURES:	DATE:	 1980 BORMAN DR. ST. LOUIS, MISSOURI 63146	
DRAWN: S.RADER	04/21/93		
CHK'D:		PROJECT NAME:	
APP'D:		VL-503	
ORIGINAL ISSUED:	04/21/93	DRAWING NAME:	
PLOT DATE:	05/19/94	CHANNEL 1 & 2 SCH.	
PLOT TIME:	07:26:49	DRAWING NO. 07S550-01	REV. 2
FILE NAME:	55001H2Z	SCALE: 1:1	SHEET: 1 OF 1



T.P.	AC VOLTAGE	DC ON VOLTAGE	DC OFF VOLTAGE	WAVEFORM
1	4.25V p-p	—	—	~
2	1.1V p-p	—	—	~
3	—	10.2V	2.2V	—
4	—	10.2V	0.7V	—
5	1.12V p-p	—	—	~

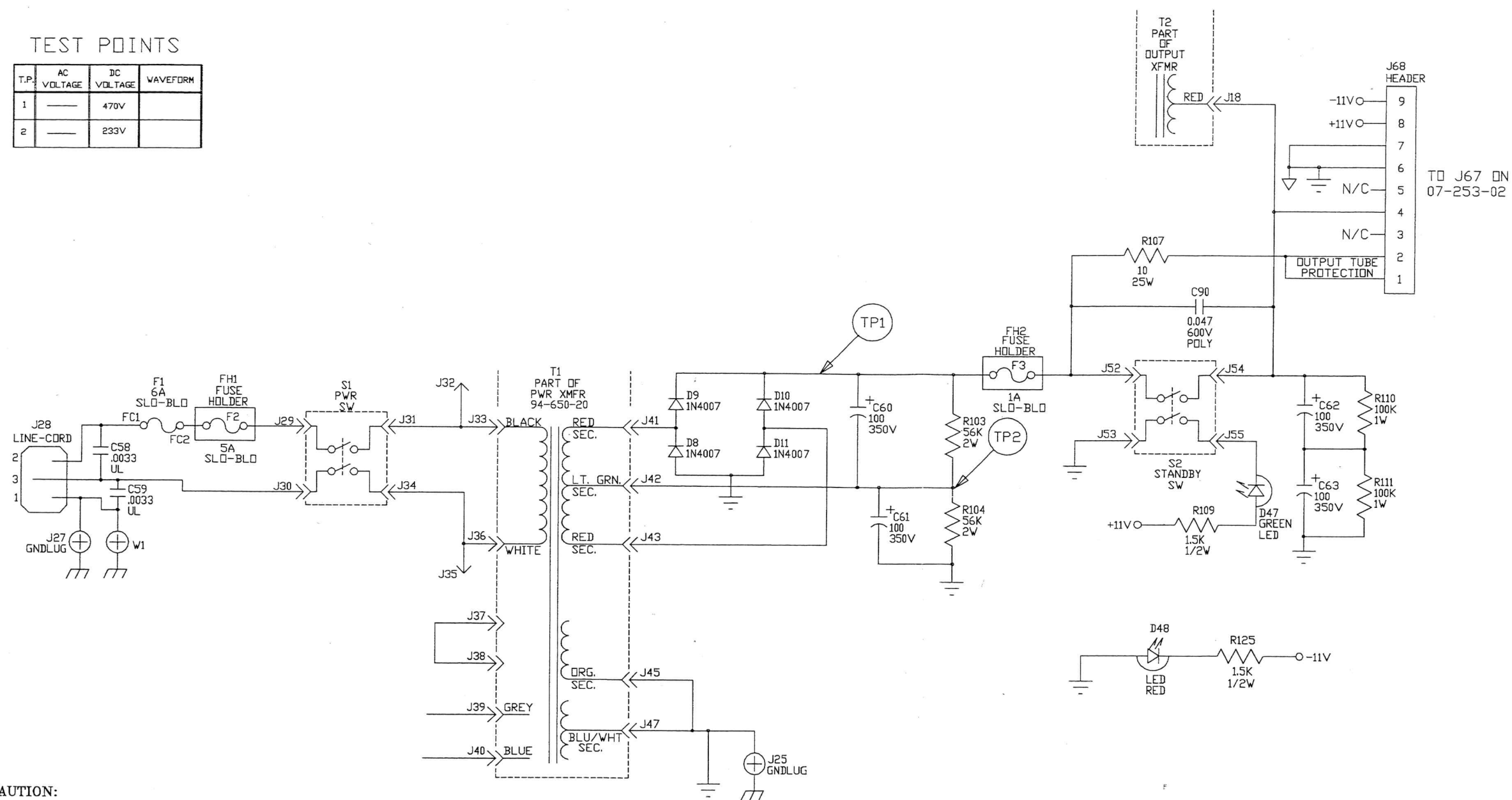
CAUTION:
 THIS SCHEMATIC IS PROVIDED FOR USE BY QUALIFIED PERSONNEL. TO AVOID RISK OF ELECTRIC SHOCK, REFER SERVICING TO QUALIFIED SERVICE PERSONNEL. DO NOT PERFORM ANY SERVICING BEYOND THAT EXPLAINED IN THE OPERATING INSTRUCTIONS.

- NOTES**
- 1) CAUTION: SHOCK HAZARD!!
 THIS UNIT CONTAINS HAZARDOUS VOLTAGE. DISCONNECT POWER AND BE SURE POWER SUPPLY IS DISCHARGED BEFORE TOUCHING INTERNAL PARTS.
 - 2) UNLESS NOTED, RESISTOR VALUES IN OHMS, 1/4W-5% TOL. CAPACITOR VALUES IN MICROFARADS, 50V-10% TOL.
 - 3) VOLTAGES ARE MEASURED WITH 1 MEGOHM OSCILLOSCOPE AND 10 MEGOHM DIGITAL VOLTMETER.

SIGNATURES:	DATE:	 1180 BORNAN DR. ST. LOUIS, MISSOURI 63146	
DRAWN: ERW	01/26/94		
CHK'D:		PROJECT NAME:	
APP'D: <i>AWM</i>	7-15-94	VL-503	
ORIGINAL ISSUED:	01/26/94	DRAWING NAME:	
PLOT DATE:	07/15/94	UPPER PCB	
PLOT TIME:	08:19:29	DRAWING NO. 07S550-02	REV.
FILE NAME: 55002HD_	SCALE: 1:1	SHEET: 1 OF 1	

TEST POINTS

T.P.	AC VOLTAGE	DC VOLTAGE	WAVEFORM
1	—	470V	
2	—	233V	

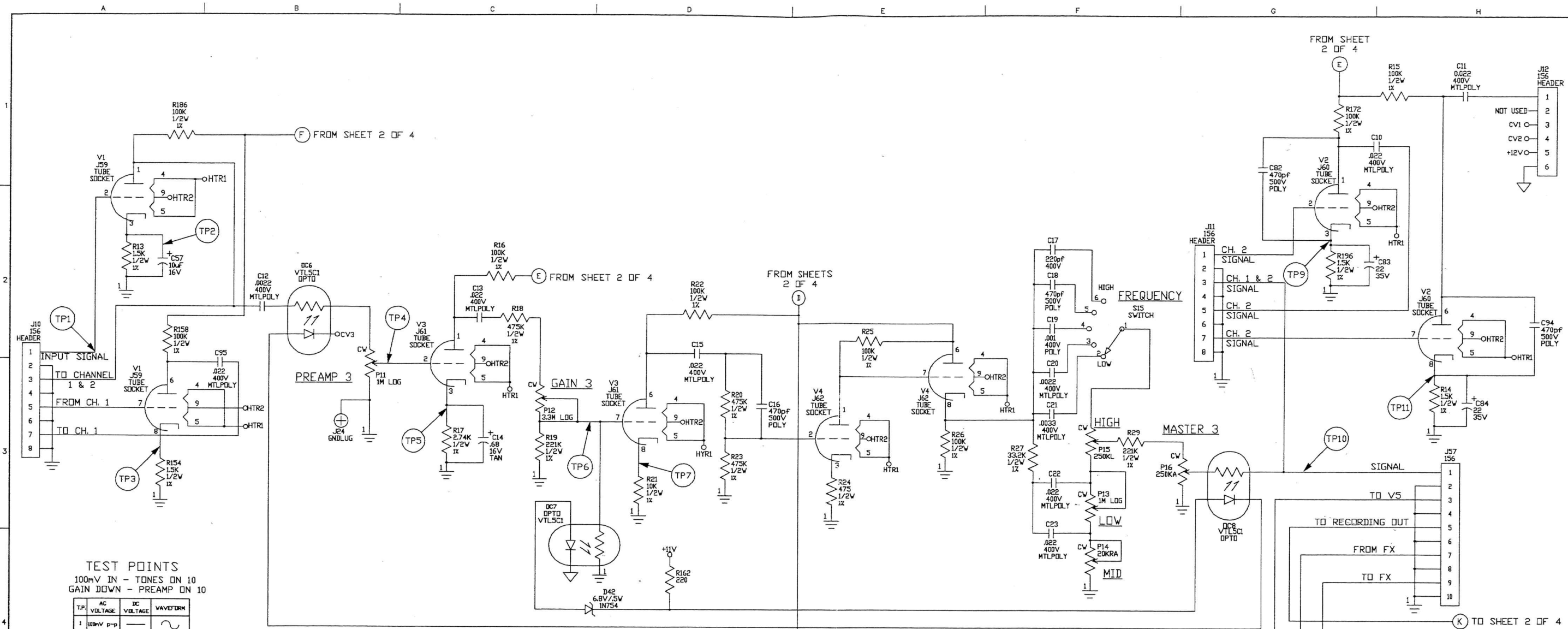


CAUTION:
THIS SCHEMATIC IS PROVIDED FOR USE BY QUALIFIED PERSONNEL. TO AVOID RISK OF ELECTRIC SHOCK, REFER SERVICING TO QUALIFIED SERVICE PERSONNEL. DO NOT PERFORM ANY SERVICING BEYOND THAT EXPLAINED IN THE OPERATING INSTRUCTIONS.

NOTES

- 1) CAUTION: SHOCK HAZARD!!
THIS UNIT CONTAINS HAZARDOUS VOLTAGE. DISCONNECT POWER AND BE SURE POWER SUPPLY IS DISCHARGED BEFORE TOUCHING INTERNAL PARTS.
- 2) UNLESS NOTED, RESISTOR VALUES IN OHMS, 1/4W-5% TOL.
CAPACITOR VALUES IN MICROFARADS, 50V-10% TOL.
- 3) VOLTAGES ARE MEASURED WITH 1 MEGOHM OSCILLOSCOPE AND 10 MEGOHM DIGITAL VOLTMETER.
- 4) CIRCUIT GROUND \oplus CHASSIS GROUND \uparrow DIRTY GROUND \downarrow

3	09/16/94	SWR	<i>SWR</i>	DELETED J69, ADDED WIRE PREP. 97-151-34(W1) PER ECO #E0315.
2	04/16/94	LMA		REV CHG TO REFLECT WIRE JUMPER PER E150
1	01/31/94	SWR		CHANGED VALUES OF C58,C59,C60,C61 C62,C63,R110, & R111, ADDED J69.
REV	DATE	BY	CHK'D	DESCRIPTION
SIGNATURES:		DATE:		11880 BORMAN DR. ST. LOUIS, MISSOURI 63146
DRAWN: S.RADER		04/21/93		
CHK'D:				PROJECT NAME:
APP'D:				VL-503
ORIGINAL ISSUED:		3Z		DRAWING NAME:
PLOT DATE:		09/15/94		POWER SUPPLY SCH.
PLOT TIME:		14:07:07		DRAWING NO. 07S253-51
FILE NAME:		25351H3Z		REV. 3Z
SCALE: 1:1		SHEET: 1 OF 1		

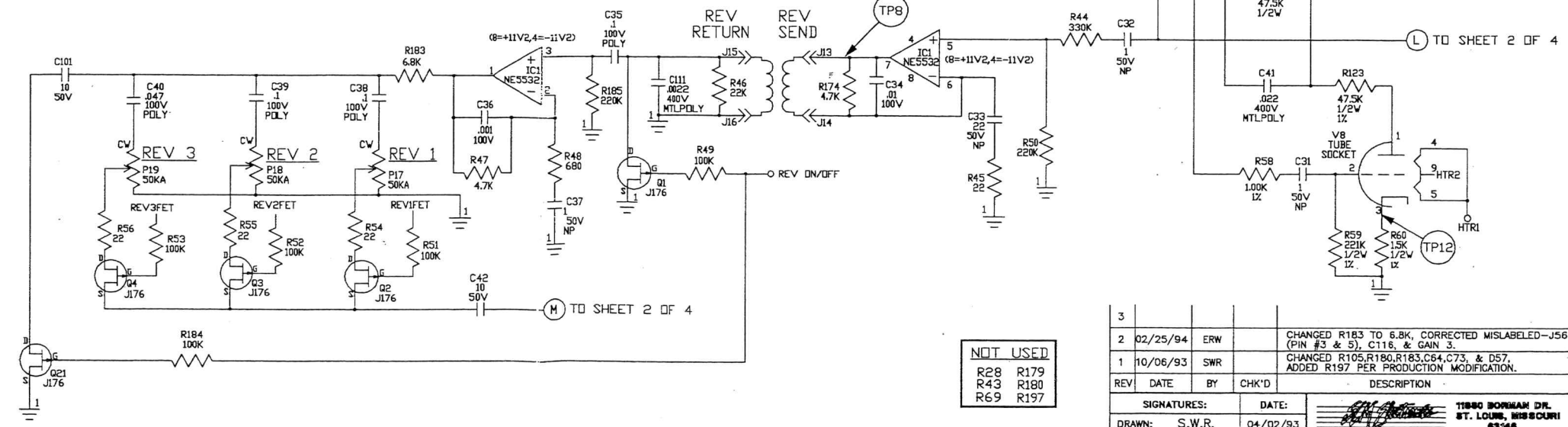


TEST POINTS
100mV IN - TONES ON 10
GAIN DOWN - PREAMP ON 10

TP	AC VOLTAGE	DC VOLTAGE	WAVEFORM
1	100mV p-p		~
2		1.53V	
3		1.53V	
4	1.64mA p-p		~
5		2.8V	
6	5.70V p-p		~
7		3.3V	
8	1.85mA p-p		~
9		1.98V	
10	8.84V p-p		~
11		1.6VDC	
12		1.8VDC	

*GAIN @ 10

- NOTES**
- 1) CAUTION: SHOCK HAZARD!! THIS UNIT CONTAINS HAZARDOUS VOLTAGE. DISCONNECT POWER AND BE SURE POWER SUPPLY IS DISCHARGED BEFORE TOUCHING INTERNAL PARTS.
 - 2) UNLESS NOTED, RESISTOR VALUES IN OHMS, 1/4W-5% TOL. CAPACITOR VALUES IN MICROFARADS, 50V-10% TOL.
 - 3) VOLTAGES ARE MEASURED WITH 1 MEGOHM OSCILLOSCOPE AND 10 MEGOHM DIGITAL VOLTMETER.
 - 4) CHASSIS GROUND ∇ DIRTY GROUND ∇ CIRCUIT GROUND ∇
 - 5) ∇ (NUMBERS INDICATE GROUNDS WHICH ARE CONNECTED ONLY BY CHASSIS AND WIRE HARNESSSES).



CAUTION:
THIS SCHEMATIC IS PROVIDED FOR USE BY QUALIFIED PERSONNEL. TO AVOID RISK OF ELECTRIC SHOCK, REFER SERVICING TO QUALIFIED SERVICE PERSONNEL. DO NOT PERFORM ANY SERVICING BEYOND THAT EXPLAINED IN THE OPERATING INSTRUCTIONS.

NOT USED
R28 R179
R43 R180
R69 R197

REV	DATE	BY	CHK'D	DESCRIPTION
2	02/25/94	ERW		CHANGED R183 TO 6.8K, CORRECTED MISLABELED-J56 (PIN #3 & 5), C116, & GAIN 3.
1	10/06/93	SWR		CHANGED R105, R180, R183, C64, C73, & D57, ADDED R197 PER PRODUCTION MODIFICATION.

SIGNATURES:	DATE:	 T. BORMAN DR. ST. LOUIS, MISSOURI 63148
DRAWN: S.W.R.	04/02/93	
CHK'D:		PROJECT NAME:
APP'D:		VL-503
ORIGINAL ISSUED:	06/10/93	DRAWING NAME:
PLOT DATE:	08/26/94	SCHEMATIC
PLOT TIME:	08:47:37	DRAWING NO. 07S253-01
FILE NAME:	25301H4Z	SCALE: 1:1 SHEET: 1 OF 4

6			
5			
4	08/26/94	SWR	MADE MULTIPLE CHANGES (REFER TO ECO #E0315.)