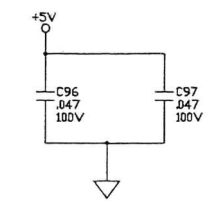
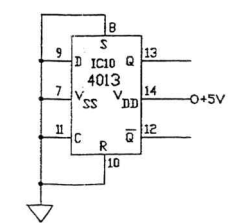
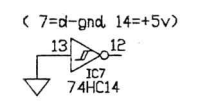
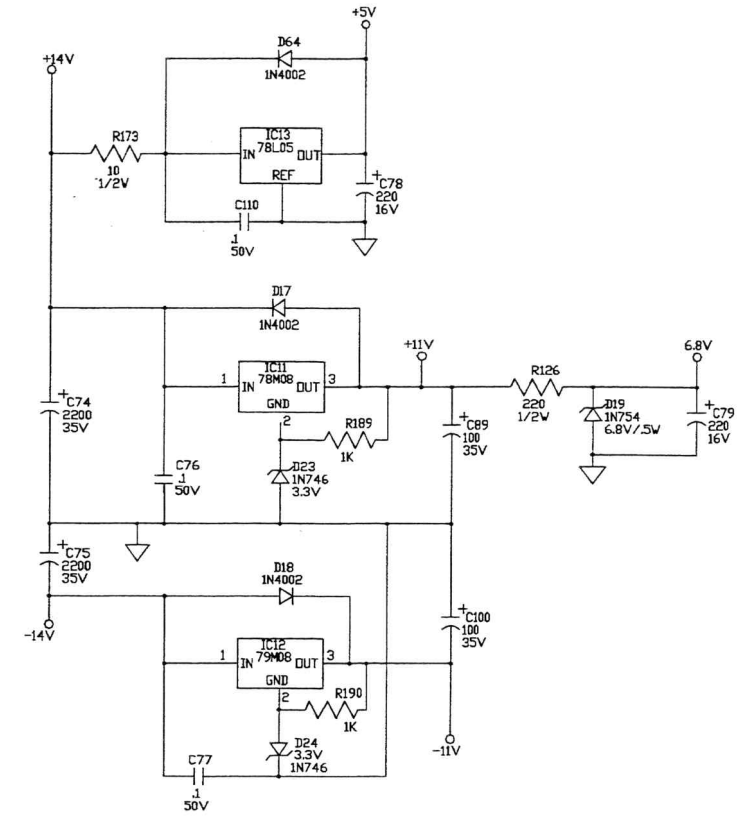
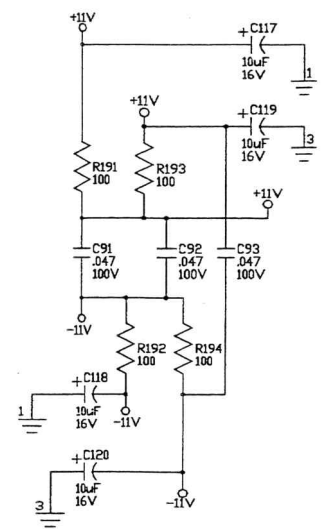


TEST POINTS

T.P.	AC VOLTAGE	DC VOLTAGE	WAVEFORM
1	3.35V P-P	—	~
2	5.30V P-P	—	~
3	4.44V P-P	—	~

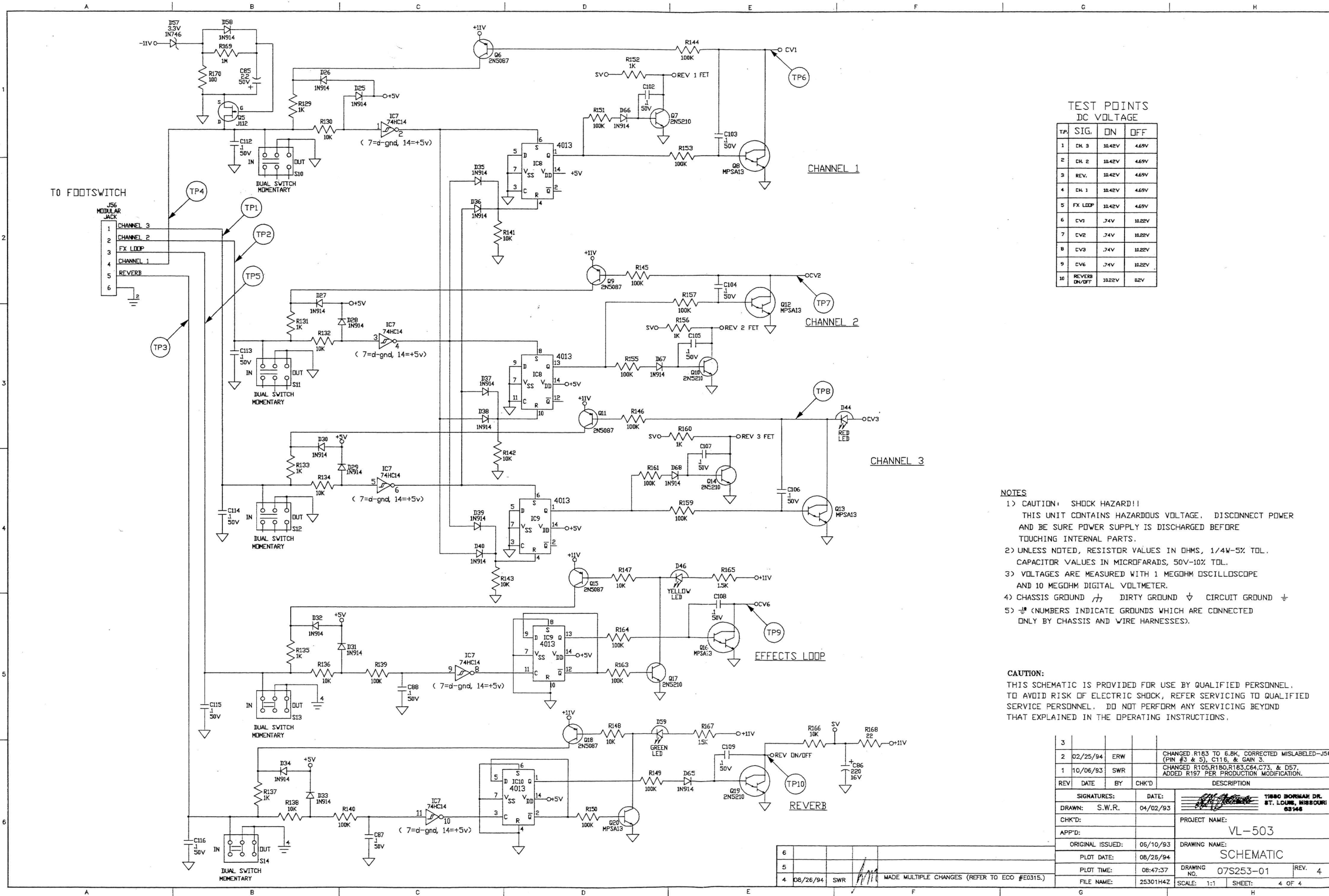


- NOTES**
- CAUTION: SHOCK HAZARD!! THIS UNIT CONTAINS HAZARDOUS VOLTAGE. DISCONNECT POWER AND BE SURE POWER SUPPLY IS DISCHARGED BEFORE TOUCHING INTERNAL PARTS.
 - UNLESS NOTED, RESISTOR VALUES IN OHMS, 1/4W-5% TOL. CAPACITOR VALUES IN MICROFARADS, 50V-10% TOL.
 - VOLTAGES ARE MEASURED WITH 1 MEGOHM OSCILLOSCOPE AND 10 MEGOHM DIGITAL VOLTMETER.
 - CHASSIS GROUND ⏏ DIRTY GROUND ⏏ CIRCUIT GROUND ⏏
 - # (NUMBERS INDICATE GROUNDS WHICH ARE CONNECTED ONLY BY CHASSIS AND WIRE HARNESSSES).

CAUTION:
THIS SCHEMATIC IS PROVIDED FOR USE BY QUALIFIED PERSONNEL. TO AVOID RISK OF ELECTRIC SHOCK, REFER SERVICING TO QUALIFIED SERVICE PERSONNEL. DO NOT PERFORM ANY SERVICING BEYOND THAT EXPLAINED IN THE OPERATING INSTRUCTIONS.

REV	DATE	BY	CHK'D	DESCRIPTION
3				
2	02/25/94	ERW		CHANGED R183 TO 6.8K, CORRECTED MISLABELED-J56 (PIN #3 & 5), C116, & GAIN 3.
1	10/06/93	SWR		CHANGED R105, R180, R183, C64, C73, & D57, ADDED R197 PER PRODUCTION MODIFICATION.

SIGNATURES:	DATE:			17880 BORGAN DR. ST. LOUIS, MISSOURI 63148
DRAWN: S.W.R.	04/02/93			
CHK'D:		PROJECT NAME: VL-503		
APP'D:		DRAWING NAME: SCHEMATIC		
ORIGINAL ISSUED:	06/10/93	DRAWING NO. 07S253-01		
PLOT DATE:	08/26/94	REV. 4		
PLOT TIME:	08:47:37	FILE NAME: 25301H4Z		
SCALE:	1:1	SHEET: 3 OF 4		



TEST POINTS
DC VOLTAGE

TP	SIG.	ON	OFF
1	CH 3	10.42V	4.65V
2	CH 2	10.42V	4.65V
3	REV.	10.42V	4.65V
4	CH 1	10.42V	4.65V
5	FX LOOP	10.42V	4.65V
6	CV1	.74V	10.22V
7	CV2	.74V	10.22V
8	CV3	.74V	10.22V
9	CV6	.74V	10.22V
10	REVERB ON/OFF	10.22V	0.2V

NOTES

- 1) CAUTION: SHOCK HAZARD!!
THIS UNIT CONTAINS HAZARDOUS VOLTAGE. DISCONNECT POWER AND BE SURE POWER SUPPLY IS DISCHARGED BEFORE TOUCHING INTERNAL PARTS.
- 2) UNLESS NOTED, RESISTOR VALUES IN OHMS, 1/4W-5% TOL. CAPACITOR VALUES IN MICROFARADS, 50V-10% TOL.
- 3) VOLTAGES ARE MEASURED WITH 1 MEGOHM OSCILLOSCOPE AND 10 MEGOHM DIGITAL VOLTMETER.
- 4) CHASSIS GROUND \perp DIRTY GROUND ∇ CIRCUIT GROUND \perp
- 5) \perp (NUMBERS INDICATE GROUNDS WHICH ARE CONNECTED ONLY BY CHASSIS AND WIRE HARNESSSES).

CAUTION:

THIS SCHEMATIC IS PROVIDED FOR USE BY QUALIFIED PERSONNEL. TO AVOID RISK OF ELECTRIC SHOCK, REFER SERVICING TO QUALIFIED SERVICE PERSONNEL. DO NOT PERFORM ANY SERVICING BEYOND THAT EXPLAINED IN THE OPERATING INSTRUCTIONS.

3				
2	02/25/94	ERW		CHANGED R183 TO 6.8K, CORRECTED MISLABELED-J56 (PIN #3 & 5), C118, & GAIN 3.
1	10/06/93	SWR		CHANGED R105, R180, R183, C64, C73, & D57, ADDED R197 PER PRODUCTION MODIFICATION.
REV	DATE	BY	CHK'D	DESCRIPTION
SIGNATURES:		DATE:		 1980 BORSIAN DR. ST. LOUIS, MISSOURI 63144
DRAWN: S.W.R.		04/02/93		
CHK'D:				PROJECT NAME:
APP'D:				VL-503
ORIGINAL ISSUED:		05/10/93		DRAWING NAME:
PLOT DATE:		08/25/94		SCHEMATIC
PLOT TIME:		08:47:37		DRAWING NO. 07S253-01
FILE NAME:		25301H4Z		SCALE: 1:1 SHEET: 4 OF 4
6				
5				
4	08/26/94	SWR		MADE MULTIPLE CHANGES (REFER TO ECO #E0315.)